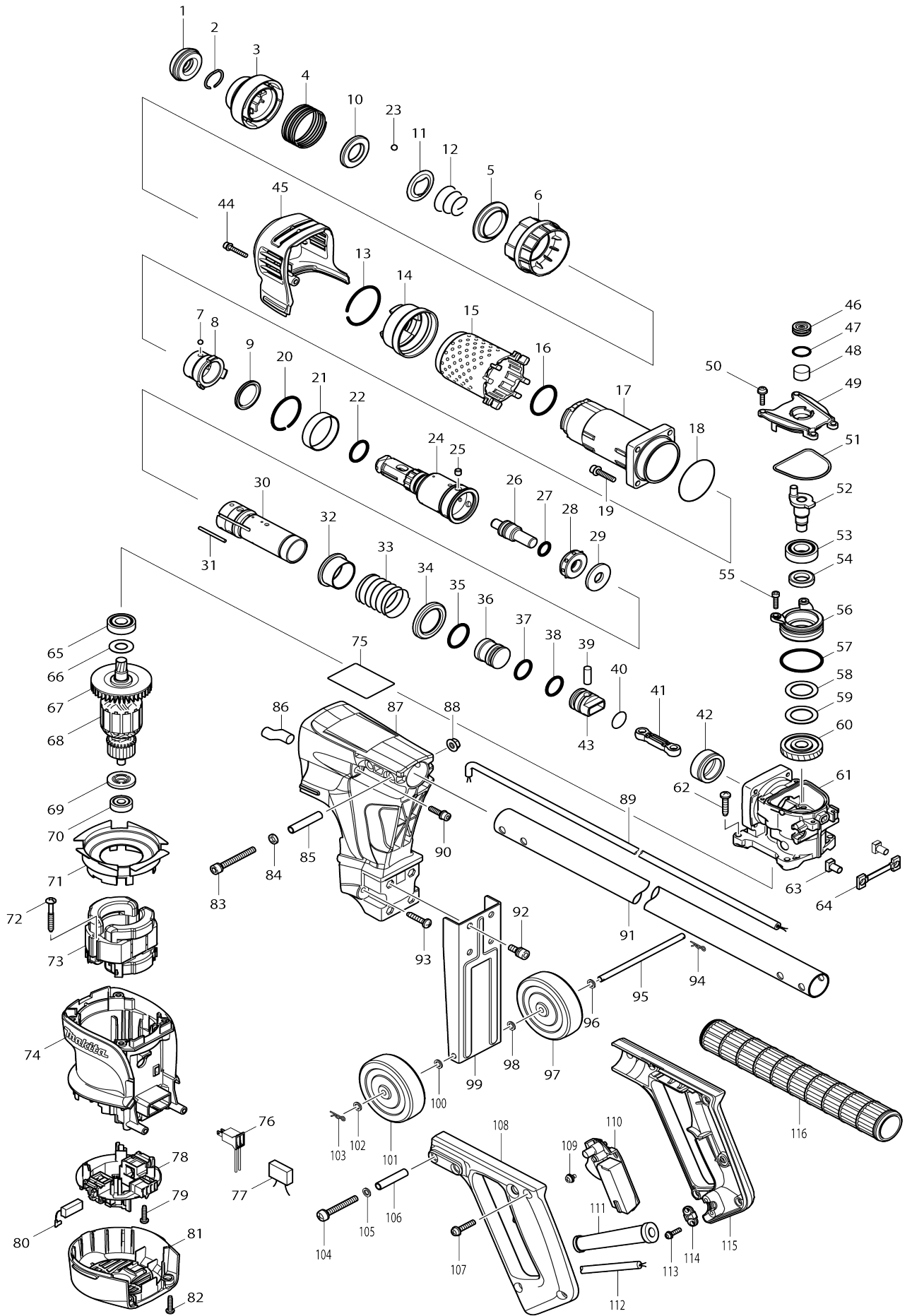


Model No.HK1820L POWER SCRAPER



Model No.HK1820L POWER SCRAPER

Item No.	Parts No.	Description	Interchangability	Q'ty	New/Old	Note1	Note2
001	286283-8	CAP 38		1			
002	233966-1	RING SPRING 19		1			
003	450275-5	CHUCK COVER		1			
004	234039-3	COMPRESSION SPRING 42		1			
005	345874-5	STEEL BALL GUIDE		1			
006	450274-7	CHANGE RING		1			
007	216002-8	STEEL BALL 4.8		3			
008	331796-5	RING 25		1			
009	262142-0	URETHAN RING 26		1			
010	257288-5	RING 21		1			
011	345873-7	GUIDE WASHER		1			
012	233916-6	CONICAL COMP. SPRING 21-29		1			
013	231985-1	RING SPRING 43		1			
014	450273-9	BARREL COVER SUPPORT		1			
015	424066-0	BARREL COVER		1			
016	213465-9	O RING 31		1			
017	318196-6	BARREL		1	*		
017-1	318196-6	BARREL	O	1	*		
017-2	318196-6	BARREL	O	1			
018	213606-7	O RING 48		1			
019	922243-3	HEX. SOCKET HEAD BOLT M5X25		4			
020	233956-4	RING SPRING 37		1			
021	257290-8	RING 39		1	*		
021-1	257296-6	RING 39	S	1			
022	213008-7	O RING 22.4		1			
023	216022-2	STEEL BALL 7.0		2			
024	324837-4	TOOL HOLDER		1			
025	256266-2	PIN 6		3	*		
025-1	268226-2	PIN 6	S	3			
026	324844-7	IMPACT BOLT		1			
027	213128-7	O RING 12		1			
028	424065-2	RUBBER RING 13		1			
029	267363-9	FLAT WASHER 12		1			
030	331804-2	CYLINDER		1	*		
030-1	331849-0	CYLINDER	S	1			
031	256833-3	ROD 3		3	*		
031-1	256862-6	ROD 2.5	S	3			
032	331799-9	RING 29		1			
033	234041-6	COMPRESSION SPRING 32		1			
034	345872-9	CUP WASHER 29		1			
035	213435-8	O RING 26		1	*		
036	324847-1	STRIKER		1			
037	213283-5	O-RING 18		1			
038	213283-5	O-RING 18		1			
039	256087-2	PIN 7		1			
040	213262-3	O RING 18		1			
041	450278-9	CONNECTING ROD		1			

042	331797-3	SLEEVE 29		1		
043	450298-3	PISTON		1		
044	922148-7	HEX. SOCKET HEAD BOLT M4X25		1		
045	450277-1	CRANK HOUSING COVER		1		
046	419988-7	FILTER CAP		1		
047	213218-6	O RING 16		1		
048	443129-3	FILTER		1		
049	450276-3	CRANK CAP		1		
050	911133-5	PAN HEAD SCREW M4X18		4		
051	424067-8	SEAL RING		1		
052	324845-5	CRANK SHAFT		1		
053	211232-6	BALL BEARING 6002LLU		1		
054	213219-4	OIL SEAL 15		1		
055	265490-6	HEX. SOCKET HEAD BOLT M4X16		2		
056	318202-7	BEARING BOX		1		
057	213513-4	O RING 39		1		
058	267126-3	FLAT WASHER 22		1		
059	267126-3	FLAT WASHER 22		1		
060	226675-9	HELICAL GEAR 36		1		
061	158523-3	CRANK HOUSING COMPLETE		1	*	
C10	213415-4	O RING 28		1	*	
061-1	158523-3	CRANK HOUSING COMPLETE	O	1		
C10	213415-4	O RING 28		1		
062	266041-8	TAPPING SCREW 5X25		4		
063	331798-1	FIX GUIDE		2		
064	424068-6	CUSHION PLATE		1		
065	211131-2	BALL BEARING 6001DDW		1		
066	253748-5	FLAT WASHER 12		1		
067	241879-2	FAN 60		1		
068	513759-5	ARMATURE ASS'Y 240V		1		
D10		INC. 65-67,69,70				
069	681644-1	INSULATION WASHER		1		
070	210005-4	BALL BEARING 608DDW		1		
071	450265-8	BAFFLE PLATE		1		
072	266211-9	TAPPING SCREW 5X40		2		
073	625818-4	FIELD 220-240V		1		
074	450263-2	MOTOR HOUSING		1		
075	864991-7	HK1820L NAMEPLATE		1		
076	638607-8	LEAD UNIT		1		
077	645200-1	NOISE SUPPRESSOR		1		
078	638577-1	BRUSH HOLDER UNIT		1		
079	265995-6	TAPPING SCREW 4X18		4		
080	194160-9	CARBON BRUSH CB-350		1	*	
080-1	195004-6	CARBON BRUSH SET CB-350	O	1		
081	450264-0	REAR COVER		1		
082	265995-6	TAPPING SCREW 4X18		2		
083	922371-4	HEX. SOCKET HEAD BOLT M6X50		2	*	
083-1	922374-8	H.S.H.BOLT M6X50 WITH WG	S	2		
084	941151-9	FLAT WASHER 6		2	*	
085	257734-8	SLEEVE 6		2		
086	683242-7	POLYETHYLENE TUBE 10-40		1	*	
086-1	683247-7	POLYETHYLENE TUBE 10-960	<	1		

087	450467-6	HANDLE BASE		1		
088	252115-1	FLANGE HEX.NUT M6		2		
089	664176-3	POWER SUPPLY CORD #18-2-1.1 05		1		
090	266439-9	HEX SOCKET HEAD BOLT M5X20		2		
091	331839-3	PIPE 29-900		1		
092	922323-5	HEX.SOCKET HEAD BOLT M6X16		4		
093	266041-8	TAPPING SCREW 5X25		2		
094	259011-4	SNAP PIN 6		1		
095	321962-2	ROD		1		
096	941152-7	FLAT WASHER 6		1		
097	421310-6	CASTER 75		1		
098	941152-7	FLAT WASHER 6		1		
099	345890-7	SUPPORTER		1		
100	941152-7	FLAT WASHER 6		1		
101	421310-6	CASTER 75		1		
102	941152-7	FLAT WASHER 6		1		
103	259011-4	SNAP PIN 6		1		
104	911366-2	PAN HEAD SCREW M6X45		2		
105	941152-7	FLAT WASHER 6		2		
106	257632-6	SLEEVE 6		2		
107	911243-8	PAN HEAD SCREW M5X25		3		
108	181954-1	HANDLE SET		1		
D10		INC. 115				
109	911109-2	PAN HEAD SCREW M4X8		2		
110	651018-0	SWITCH HPAHR2-3S		1		
111	682505-8	CORD GUARD 10-90		1		
112	665883-1	POWER SUPPLY CORD 1.0-2-5.0		1		
113	911128-8	P.H.SCREW M4X16 WITH WR		2		
114	687031-2	STRAIN RELIEF		1		
115	181954-1	HANDLE SET		1		
D10		INC. 108				
116	424091-1	GRIP COVER 28		1		
117	423122-3	CUSHION PLATE	S	3	*	
118	213142-3	O-RING 35	S	1		
A01	783203-8	HEX. WRENCH 5		1		

Please state Parts No. when your order.

Print Date 02/16/2024