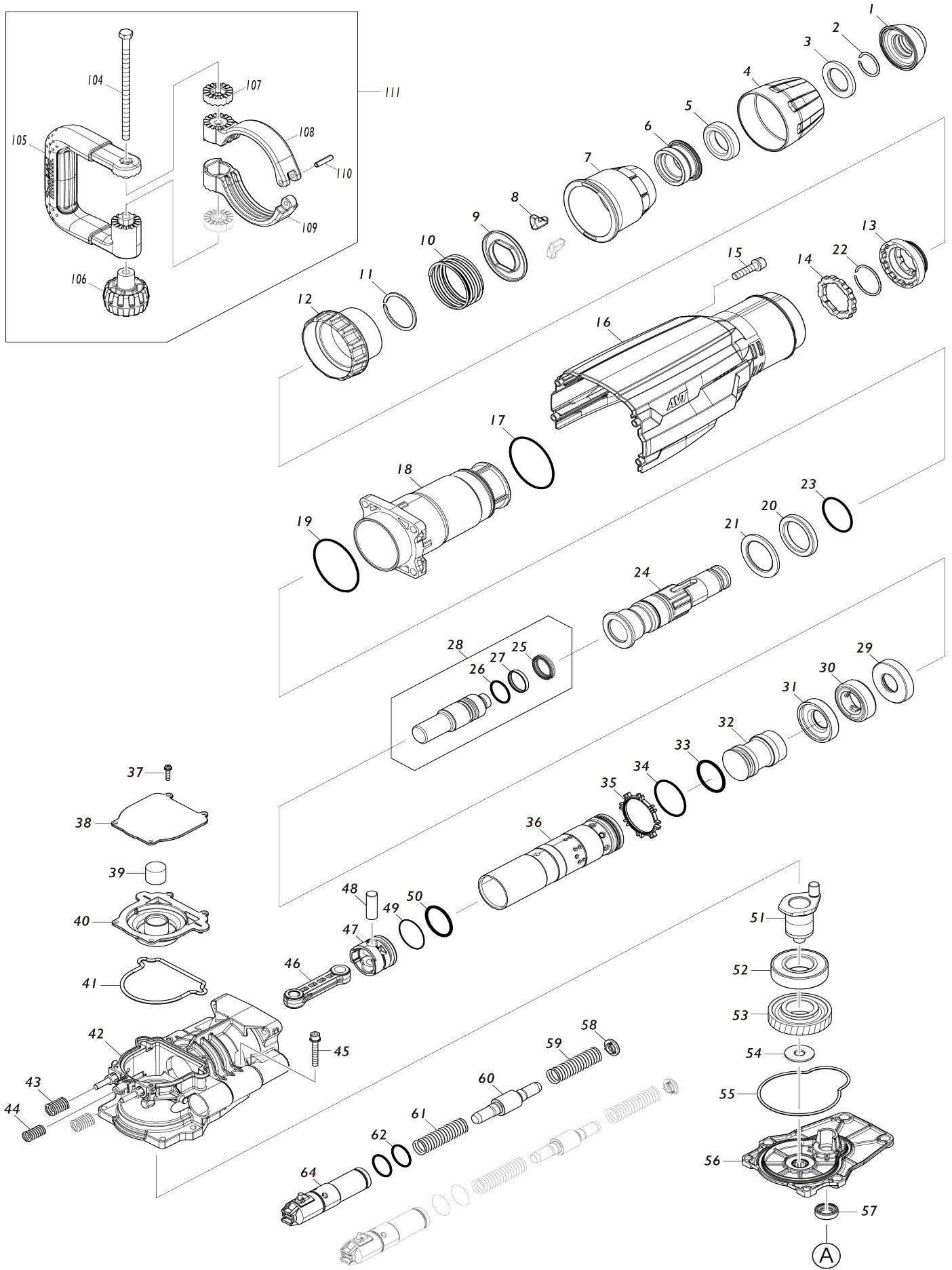
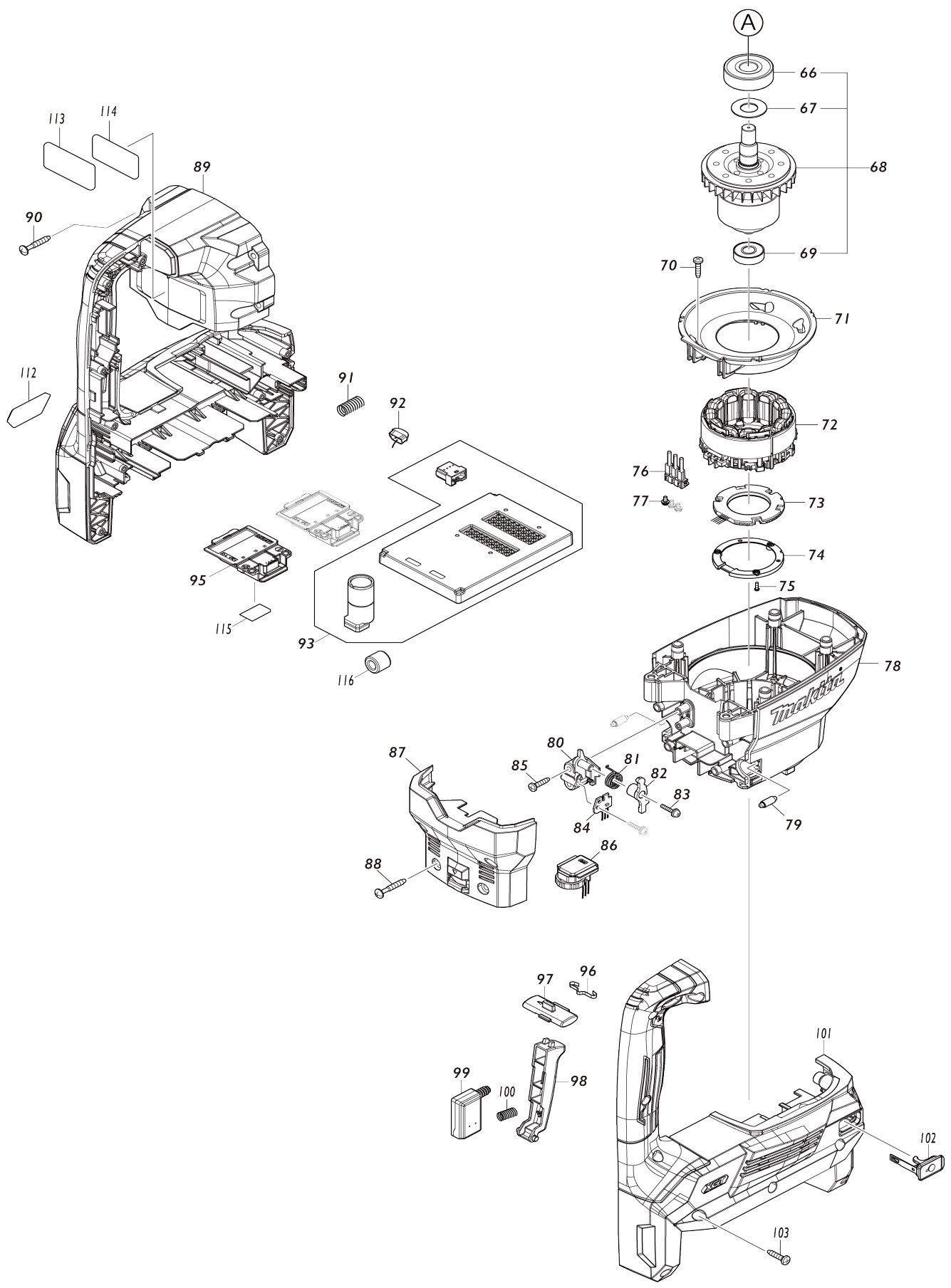


# Model No.HM002G CORDLESS DEMOLITION HAMMER



# Model No.HM002G CORDLESS DEMOLITION HAMMER



Model No.HM002G CORDLESS DEMOLITION HAMMER

Item No.	Parts No.	Description	Interchangability	Q'ty	New/Old	Note1	Note2
001	424165-8	TOOL HOLDER CAP		1			
002	233973-4	RING SPRING 26		1			
003	267386-7	FLAT WASHER 30		1			
004	450894-7	CHUCK COVER		1			
005	262147-0	RUBBER RING 30		1			
006	324987-5	CHUCK RING		1			
007	450895-5	RELEASE COVER		1			
008	310279-8	TOOL RETAINER		2			
009	346015-6	SPRING GUIDE		1			
010	234086-4	COMPRESSION SPRING 56		1			
011	961232-3	RETAINING RING WR-45		1			
012	450893-9	CHANGE RING COVER		1			
013	324969-7	CHANGE RING		1			
014	324988-3	LOCK RING		1			
015	922456-6	HEX. SOCKET HEAD BOLT M8X35		4			
016	413268-3	HOUSING COVER		1			
017	213664-3	O RING 60		1			
018	140Y02-5	BARREL COMPLETE		1			
019	213720-9	O RING 67		1			
020	262148-8	RUBBER RING 39		1			
021	267387-5	FLAT WASHER 39		1			
022	233970-0	RING SPRING 35		1			
023	213079-4	O-RING 35.5		1			
024	324985-9	TOOL HOLDER		1			
025	213980-3	X-RING 21		1			
026	213394-6	O RING 23		1			
027	213431-6	FLUORIDE RING 28		1			
028	136391-4	IMPACT BOLT ASSY		1			
D10		INC. 25-27					
029	324993-0	SHOULDER SLEEVE		1			
030	262149-6	RUBBER RING 24		1			
031	324993-0	SHOULDER SLEEVE		1			
032	327739-3	STRIKER		1			
033	213499-2	O-RING 31.5		1			
034	213581-7	O-RING 44		1			
035	450889-0	ONE WAY VALVE GUIDE		1			
036	327741-6	CYLINDER 40		1			
037	911133-5	PAN HEAD SCREW M4X18		4			
038	413273-0	CRANK CAP COVER		1			
039	443127-7	FILTER		1			
040	413272-2	CRANK CAP		1			
041	422658-9	SEAL RING A		1			
042	140Y06-7	CRANK HOUSING COMPLETE		1			
043	232662-8	COMPRESSION SPRING 12		2			
044	232664-4	COMPRESSION SPRING 10		1			
045	922363-3	H.S.H.BOLT M6X40 WITH WR		6			
046	413277-2	CONNECTING ROD		1			

047	450961-8	PISTON		1		
048	268121-6	PIN 12		1		
049	213149-9	O RING 35		1		
050	213499-2	O-RING 31.5		1		
051	327740-8	CRANK SHAFT		1		
052	210254-3	BALL BEARING 6206LLB		1		
053	226691-1	HELICAL GEAR 57		1		
054	267398-0	FLAT WASHER 12		1		
055	422659-7	SEAL RING B		1		
056	140Y03-3	GEAR HOUSING COMPLETE		1		
057	213231-4	OIL SEAL 15		1		
058	413275-6	SPRING PLATE		2		
059	232691-1	COMPRESSION SPRING 15		2		
060	324992-2	COUNTER WEIGHT		2		
061	232691-1	COMPRESSION SPRING 15		2		
062	213953-6	O RING 24		4		
064	140Y04-1	HOLDER COMPLETE		2		
066	210253-5	BALL BEARING 6302DDW		1		
067	267397-2	FLAT WASHER 15		1		
068	519651-3	ROTOR ASS'Y		1		
D10		INC. 66,67,69				
069	210059-1	BALL BEARING 6000DDW		1		
070	265995-6	TAPPING SCREW 4X18		4		
071	413271-4	BAFFLE PLATE		1		
072	629A27-3	STATOR		1		
073	620E26-2	CONTROLLER B		1		
074	687B69-9	STOPPER		1		
075	266490-9	TAPPING SCREW PT 2X6		3		
076	632R89-4	LEAD UNIT		1		
077	652031-1	PAN HEAD SCREW M3X6		3		
078	413266-7	MOTOR HOUSING		1		
079	256380-4	SHOULDER PIN 4-6		2		
080	412985-2	BASE		1		
081	232643-2	TORSION SPRING 13		1		
082	140W48-9	LEVER COMPLETE		1		
083	263046-9	TAPPING SCREW 3X14		2		
084	620E28-8	SENSOR CIRCUIT		1		
085	265995-6	TAPPING SCREW 4X18		2		
086	620E29-6	DIAL CIRCUIT		1		
087	140Y05-9	MOTOR HOUSING COVER COMPLETE		1		
C10	422660-2	RUBBER SHEET		1		
088	266041-8	TAPPING SCREW 5X25		4		
089	183T10-3	HOUSING SET		1		
C10	263005-3	RUBBER PIN 6		8		
C20	347755-9	GUARD RAIL		2		
C30	422646-6	CAP 10		2		
C40	347782-6	PLATE		4		
D10		INC. 101				
090	266041-8	TAPPING SCREW 5X25		4		
091	232663-6	COMPRESSION SPRING 8		1		
092	620E27-0	LED CIRCUIT		1		

093	620E31-9	CONTROLLER		1		
095	632R98-3	TERMINAL UNIT		2		
096	232152-1	LEAF SPRING		1		
097	412981-0	TRIGGER LOCK		1		
098	458097-7	SWITCH LEVER		1		
099	651083-9	SWITCH C3XA-1PSPM		1		
100	232418-9	COMPRESSION SPRING 5		1		
101	183T10-3	HOUSING SET		1		
C10	263005-3	RUBBER PIN 6		8		
C20	347755-9	GUARD RAIL		2		
C30	422646-6	CAP 10		2		
C40	347782-6	PLATE		4		
D10		INC. 89				
102	140F99-0	CAP COMPLETE		1		
C10	213218-6	O RING 16		1	*	
C11	213A05-9	O-RING16	O	1		
C20	818H07-8	CAP LABEL		1		
103	265995-6	TAPPING SCREW 4X18		10		
104	265439-6	HEX. BOLT M8X150		1		
105	417003-1	SIDE HANDLE		1		
106	252640-2	WING NUT M8		1		
107	417002-3	SIDE HANDLE CAM		2		
108	318505-9	SIDE HANDLE BASE 82A		1		
109	318506-7	SIDE HANDLE BASE 82B		1		
110	951166-8	SPRING PIN 5-24		1		
111	135269-8	SIDE HANDLE 82 ASS'Y		1		
D10		INC. 104-110				
112	8029M5-9	XGT LOGO LABEL		1		
113	8029M4-1	CLEAR LABEL		1	*	
114	858E35-3	HM002G NAME PLATE		1		
115	858E41-8	HM002G SERIAL NO. LABEL		1		
116	688163-8	LINE FILTER		1		
A01	A-80787	BULL POINT 280 SDS-MAX		1	*	
A01-1	D-34176	BULL POINT FOR SDS-MAX 300	O	1		
A02	198993-4	GREASE VESSEL SET		1		
A03	443122-7	CLOTH		1		
A04	821848-5	PLASTIC CASE		1		
A05	8029X7-2	HM002GZ03 PLASTIC CASE LABEL		2		
B01	191N77-1	HAMMER SERVICE KIT		1		
C10	181490-7	HAMMER GREASE 30G		2		
D10		INC. 1,2,8,25-27,33,49,50				
E01	801092-0	SOUND 101DB LABEL		1		
F06	199143-4	DUST EXTRACTOR ATT SET(EU)		1		
F07	199144-2	DUST EXTRACTOR ATT SET(EU)		1		

Please state Parts No. when your order.

Print Date 10/26/2023