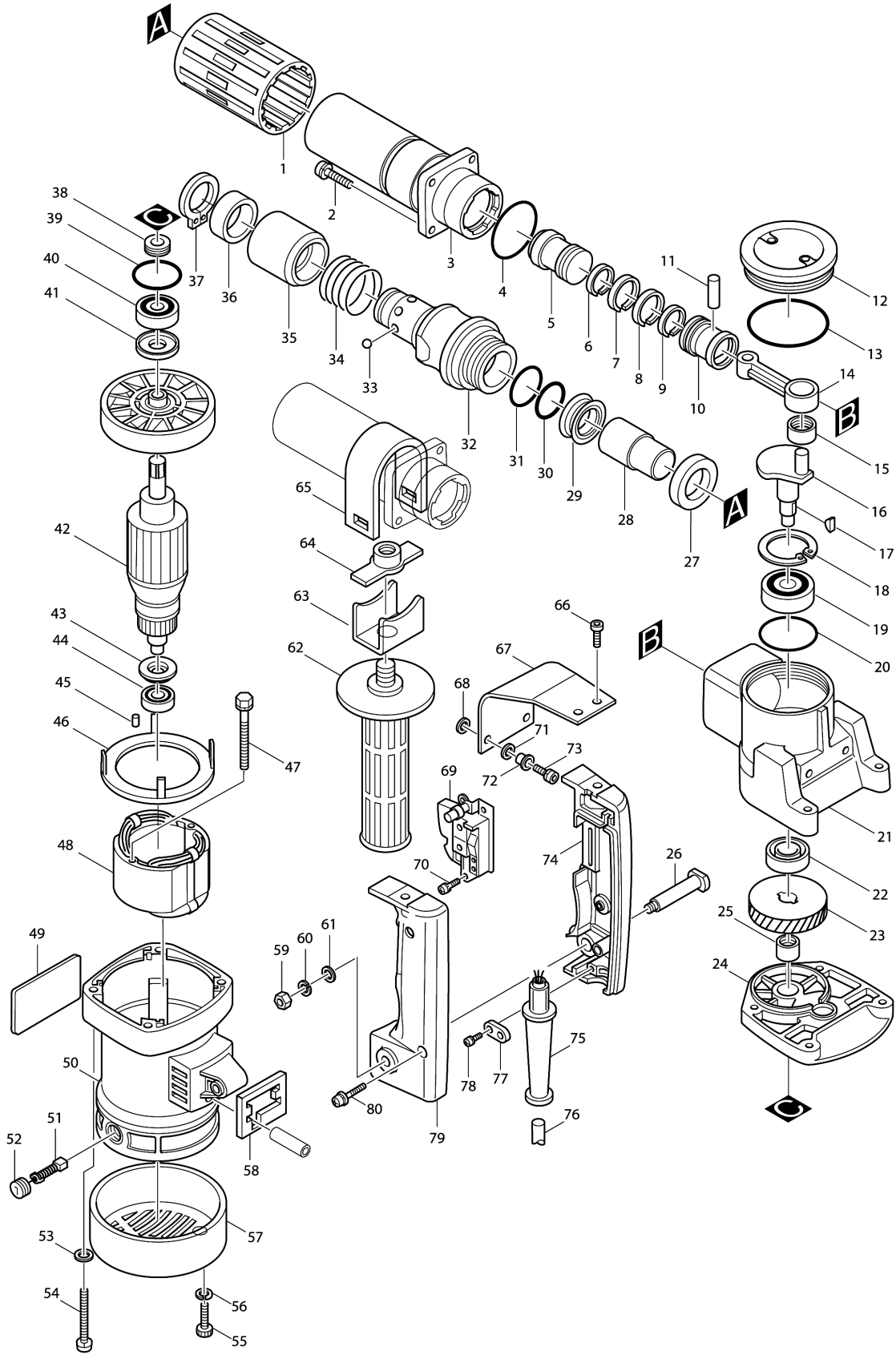


Model No.HM0810T DEMOLITION HAMMER



Model No.HM0810T DEMOLITION HAMMER

| Item | Parts No. | Description | I/C | Qty | New/Old | Opt. 1 | Opt. 2 | Note |
|-------|-----------|--------------------------------|-----|-----|---------|--------|--------|------|
| 001 | 421541-7 | BARREL COVER | | 1 | * | | | |
| 001-1 | 421541-7 | BARREL COVER | O | 1 | | | | |
| 002 | 922341-3 | HEX. SOCKET HEAD BOLT M6X25 | | 4 | | | | |
| 003 | 151457-9 | BARREL COMPLETE | | 1 | | | | |
| 004 | 213554-0 | O RING 44 | | 1 | | | | |
| 005 | 321929-0 | STRIKER | | 1 | | | | |
| 006 | 412073-5 | INNER RING 26 | | 1 | | | | |
| 007 | 412053-1 | PISTON RING 30 | | 1 | | | | |
| 008 | 412053-1 | PISTON RING 30 | | 1 | | | | |
| 009 | 321514-9 | INNER RING 26 | | 1 | | | | |
| 010 | 321958-3 | PISTON | | 1 | | | | |
| 011 | 256165-8 | PIN 8 | | 1 | | | | |
| 012 | 150368-5 | CRANK CAP COMPLETE | | 1 | * | | | |
| C10 | 810712-5 | CAUTION LABEL | | 1 | * | | | |
| 012-1 | 411709-3 | CRANK CAP | O | 1 | | | | |
| 013 | 213654-6 | O RING 60 | | 1 | | | | |
| 014 | 312956-8 | ROD | | 1 | | | | |
| 015 | 212108-0 | NEEDLE BEARING 1212 | | 1 | | | | |
| 016 | 321954-1 | CRANK SHAFT | | 1 | | | | |
| 017 | 254001-2 | WOODRUFF KEY 4 | | 2 | | | | |
| 018 | 962203-3 | RETAINING RING R-47 | | 1 | | | | |
| 019 | 211279-0 | BALL BEARING 6303LLU | | 1 | | | | |
| 020 | 213606-7 | O RING 48 | | 1 | | | | |
| 021 | 157627-8 | CRANK HOUSING COMPLETE | | 1 | | | | |
| D10 | | INC. 20 | | | | | | |
| 022 | 213260-7 | OIL SEAL 17 | | 1 | | | | |
| 023 | 221669-9 | HELICAL GEAR 41 | | 1 | | | | |
| 024 | 157628-6 | GEAR HOUSING | | 1 | | | | |
| D10 | | INC. 39 | | | | | | |
| 025 | 212102-2 | NEEDLE BEARING 1210 | | 1 | | | | |
| 026 | 321210-9 | HANDLE SHAFT | | 1 | | | | |
| 027 | 253955-0 | FLAT WASHER 24 | | 1 | | | | |
| 028 | 321495-7 | IMPACT BOLT | | 1 | | | | |
| 029 | 213428-5 | X RING 28 | | 1 | | | | |
| 030 | 213411-2 | O RING 27 | | 1 | | | | |
| 031 | 213508-7 | O RING 38 | | 1 | | | | |
| 032 | 125070-9 | TOOL HOLDER ASS'Y | | 1 | * | | | |
| D10 | | INC. 33-36,37 | | | * | | | |
| 032-1 | 193004-0 | TOOL HOLDER SET | X | 1 | | | | |
| D10 | | INC. 31,33-37,81 | | | | | | |
| 033-1 | 216004-4 | STEEL BALL 7.9 | | 6 | | | | |
| 034 | 233191-4 | COMPRESSION SPRING 30 | | 1 | | | | |
| 035 | 331518-3 | CHANGE RING | | 1 | | | | |
| 036 | 257206-3 | RING 29 | | 1 | | | | |
| 037 | 962106-1 | RETAINING RING R-28 | | 1 | * | | | |

Please order the parts with part number.

Print Date 23/11/2023

Model No.HM0810T DEMOLITION HAMMER

| Item | Parts No. | Description | I/C | Qty | New/Old | Opt. 1 | Opt. 2 | Note |
|-------|-----------|-----------------------------|-----|-----|---------|--------|--------|------|
| 037-1 | 961108-4 | RETAINING RING S-28 | X | 1 | | | | |
| 038 | 331194-3 | SEAL | | 1 | | | | |
| 039 | 213459-4 | O RING 32 | | 1 | | | | |
| 040 | 211106-1 | BALL BEARING 6201LLB | | 1 | * | | | |
| 040-1 | 211144-3 | BALL BEARING 6201LLB | O | 1 | * | | | |
| 040-2 | 211106-1 | BALL BEARING 6201LLB | O | 1 | | | | |
| 041 | 213102-5 | DUST SEAL 12 | | 1 | | | | |
| 042E_ | 518283-3 | ARMATURE ASS'Y 220V | | 1 | * | | | |
| C10 | 241827-1 | FAN 82 | | 1 | * | | | |
| D10 | | INC. 40,41,43,44 | | | * | | | |
| 042E1 | 516148-3 | ARMATURE ASS'Y 220V | | 1 | * | | | |
| C10 | 241827-1 | FAN 82 | | 1 | * | | | |
| D10 | | INC. 40,41,43,44 | | | * | | | |
| 042E2 | 516148-3 | ARMATURE ASS'Y 220V | O | 1 | | | | |
| C10 | 241827-1 | FAN 82 | | 1 | | | | |
| D10 | | INC. 40,41,43,44 | | | | | | |
| 043 | 681625-5 | INSULATION WASHER | | 1 | | | | |
| 044 | 211031-6 | BALL BEARING 608LLB | | 1 | | | | |
| 045 | 263014-2 | RUBBER PIN 4 | | 1 | * | | | |
| 045-1 | 263002-9 | RUBBER PIN 4 | O | 1 | | | | |
| 046 | 410509-8 | BAFFLE PLATE | | 1 | | | | |
| 047 | 265345-5 | + HEX. BOLT M5X60 | | 2 | | | | |
| 048E_ | 528796-6 | FIELD ASS'Y 220V | | 1 | | | | |
| C10 | 654019-7 | RING TERMINAL | | 2 | | | | |
| C20 | 654501-6 | CONNECTOR P-1.25 | | 2 | * | | | |
| C21 | 654485-8 | PARALLEL SPLICE | O | 2 | | | | |
| 049 | 858893-7 | NAME PLATE HM0810T | | 1 | * | | | |
| 049-1 | 897974-2 | NAME PLATE HM0810T | < | 1 | | | | |
| 050 | 159634-7 | MOTOR HOUSING | | 1 | | | | |
| C10 | 643603-3 | BRUSH HOLDER 6-10 | | 2 | | | | |
| D10 | | INC. 45 | | | | | | |
| 051 | 181038-5 | A.C. CARBON BRUSH CB-105 | | 1 | | | | |
| 052 | 643600-9 | BRUSH HOLDER CAP 6-10 | | 2 | | | | |
| 053 | 941151-9 | FLAT WASHER 6 | | 4 | * | | | |
| 054 | 922371-4 | HEX. SOCKET HEAD BOLT M6X50 | | 4 | * | | | |
| 054-1 | 922374-8 | H.S.H.BOLT M6X50 WITH WG | S | 4 | | | | |
| 055-1 | 922226-3 | HEX. SOCKET HEAD BOLT M5X18 | | 2 | | | | |
| 056 | 942101-7 | SPRING WASHER 5 | | 2 | * | | | |
| 057 | 284059-7 | REAR COVER | | 1 | | | | |
| 058 | 423257-0 | SPONGE 38.5-46 | | 1 | | | | |
| 059 | 931302-2 | HEX. NUT M6 | | 1 | | | | |
| 060 | 942151-2 | SPRING WASHER 6 | | 1 | * | | | |
| 060-1 | 253428-3 | SPRING WASHER 6 | O | 1 | | | | |
| 061 | 941151-9 | FLAT WASHER 6 | | 1 | | | | |

Please order the parts with part number.

Print Date 23/11/2023

Model No.HM0810T DEMOLITION HAMMER

| Item | Parts No. | Description | I/C | Qty | New/Old | Opt. 1 | Opt. 2 | Note |
|-------|-----------|-----------------------------------|-----|-----|---------|--------|--------|------|
| 062 | 273457-0 | GRIP 32 | | 1 | | | | |
| 063 | 341922-8 | GRIP BASE | | 1 | | | | |
| 064 | 321497-3 | CLAMP NUT | | 1 | | | | |
| 065 | 341914-7 | GRIP CLAMP | | 1 | | | | |
| 066 | 922316-2 | HEX. SOCKET HEAD BOLT M6X14 | | 2 | | | | |
| 067 | 343753-1 | CUSHION PLATE | | 2 | | | | |
| 068 | 262051-3 | RUBBER RING 9 | | 2 | | | | |
| 069A_ | 651038-4 | SWITCH HPAHR6-3S | | 1 | | | | |
| 070 | 911109-2 | PAN HEAD SCREW M4X8 | | 2 | | | | |
| 071 | 262052-1 | RUBBER RING 9 | | 2 | | | | |
| 072 | 257636-8 | SLEEVE 6 | | 2 | | | | |
| 073 | 265914-2 | HEX. SOCKET HEAD BOLT M6X25 | | 2 | | | | |
| 074 | 182590-6 | HANDLE SET | | 1 | | | | |
| D10 | | INC. 79 | | | | | | |
| 075A_ | 682540-6 | CORD GUARD 9.3-90 | | 1 | * | | | |
| 075A1 | 682505-8 | CORD GUARD 10-90 | O | 1 | | | | |
| 076A_ | 665883-1 | POWER SUPPLY CORD 1.0-2- 5.0 | | 1 | | | | |
| 077A_ | 687031-2 | STRAIN RELIEF | | 1 | | | | |
| 078 | 911133-5 | PAN HEAD SCREW M4X18 | | 2 | | | | |
| 079 | 182590-6 | HANDLE SET | | 1 | | | | |
| D10 | | INC. 74 | | | | | | |
| 080 | 911243-8 | PAN HEAD SCREW M5X25 | | 1 | | | | |
| 081 | 267203-1 | FLAT WASHER 43 | | 1 | | | | |
| A01D_ | 150595-4 | PLASTIC CARRYING CASE COMPLETE | | 1 | * | | | |
| C10 | 817812-2 | CAUTION LABEL | | 1 | * | | | |
| C20 | 416401-6 | LATCH | | 2 | * | | | |
| A01D1 | 150879-0 | PLASTIC CARRYING CASE COMPLETE | O | 1 | | | | |
| C10 | 817812-2 | CAUTION LABEL | | 1 | | | | |
| C20 | 162202-7 | LATCH | | 2 | | | | |
| C30 | 416549-4 | HANDLE | | 1 | | | | |
| C40 | 416556-7 | COVER | | 2 | | | | |
| C50 | 819140-1 | MAKITA LOGO LABEL | | 1 | | | | |
| A02 | 798023-7 | BULL POINT 17-280 | | 1 | * | | | |
| A02-1 | A-80450 | BULL POINT 17X280 | O | 1 | | | | |
| A03 | 783202-0 | HEX. WRENCH 4 | | 1 | | | | |
| B01 | 193242-4 | HAMMER SERVICE KIT | | 1 | | | | |
| C10 | 181490-7 | HAMMER GREASE 30G | | 1 | | | | |
| D10 | | INC. 6-9,29,30,51 | | | | | | |
| E01 | 645253-0 | NOISE SUPPRESSOR | | 1 | | | | |
| E03A_ | 652014-1 | PAN HEAD SCREW M4X8 | | 4 | | | | |
| E04A_ | 652252-5 | CLAMP WASHER | | 4 | | | | |
| E05 | 685700-9 | SPONGE SHEET | | 1 | | | | |
| E10 | 819R43-7 | SOUND 105DB LABEL | | 1 | * | | | |

Please order the parts with part number.

Print Date 23/11/2023

Model No.HM0810T DEMOLITION HAMMER

| Item | Parts No. | Description | I/C | Qty | New/Old | Opt. 1 | Opt. 2 | Note |
|-------|-----------|-------------------|-----|-----|---------|--------|--------|------|
| E10-1 | 804G74-3 | SOUND 104DB LABEL | < | 1 | | | | |

Please order the parts with part number.

Print Date 23/11/2023