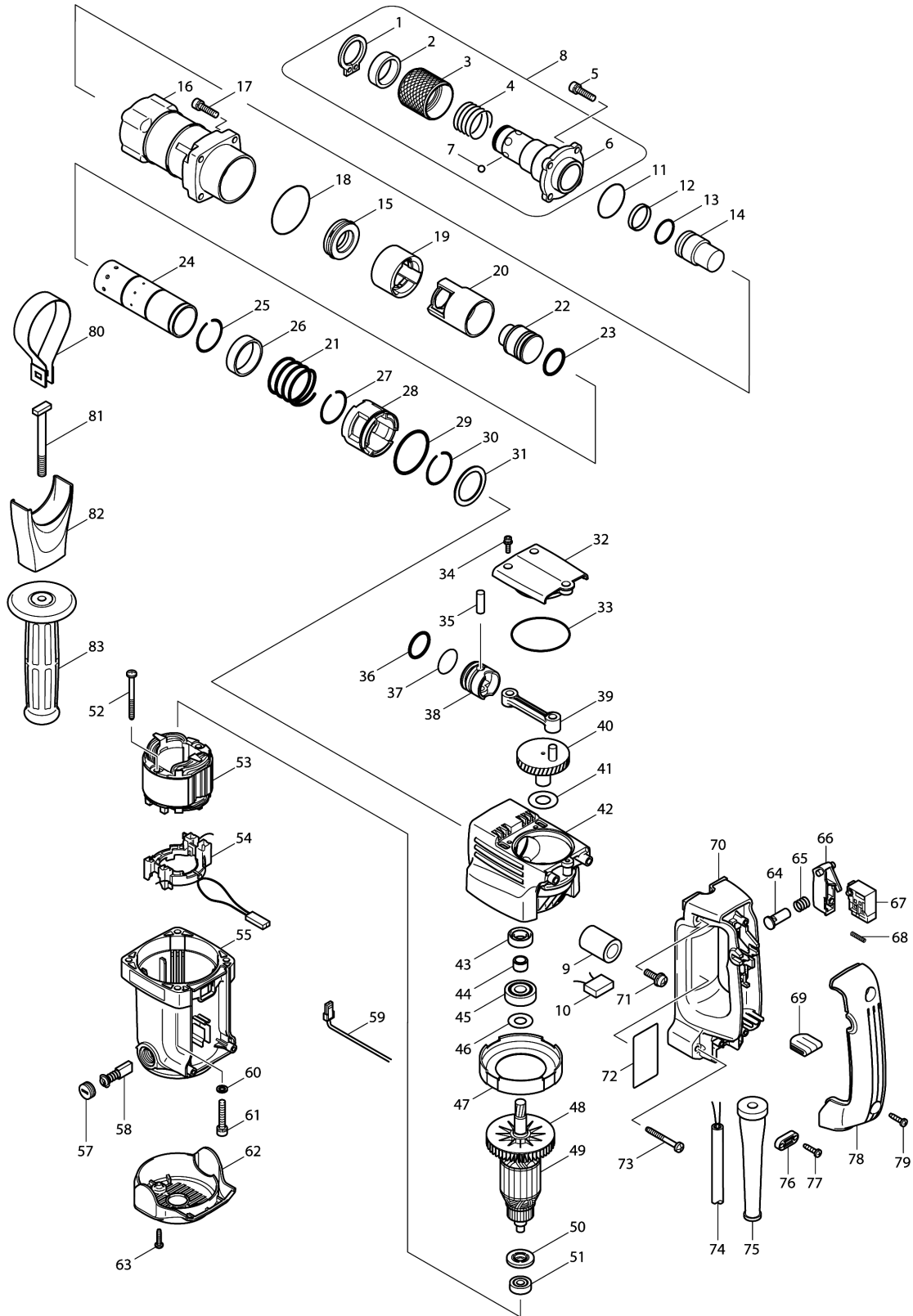


Model No.HM0830T DEMOLITION HAMMER



Model No.HM0830T DEMOLITION HAMMER

Item	Parts No.	Description	I/C	Qty	New/Old	Opt. 1	Opt. 2	Note
001	961108-4	RETAINING RING S-28		1				
002	257206-3	RING 29		1				
003	331518-3	CHANGE RING		1				
004	233191-4	COMPRESSION SPRING 30		1				
005	265914-2	HEX. SOCKET HEAD BOLT M6X25		4				
006	324700-1	TOOL HOLDER		1	*			
007	216004-4	STEEL BALL 7.9		6				
008	125358-7	TOOL HOLDER ASS'Y		1				
D10		INC. 1-4,6-8						
009	685722-9	SPONGE		1				
010	645200-1	NOISE SUPPRESSOR		1				
011	213515-0	O RING 36		1				
012	213431-6	FLUORIDE RING 28		1				
013	213394-6	O RING 23		1				
014	324429-9	IMPACT BOLT		1				
015	421856-2	RUBBER RING 24		1				
016	317758-7	BARREL		1				
017	265914-2	HEX. SOCKET HEAD BOLT M6X25		4				
018	213656-2	O RING 53		1				
019	418547-4	GUIDE RING		1				
020	418551-3	SLIDE SLEEVE		1				
021	233407-7	COMPRESSION SPRING 37		1				
022	324470-2	STRIKER		1				
023	213958-6	O RING 24		1				
024	331677-3	CYLINDER 32		1				
025	233927-1	RING SPRING 34		1				
026	331660-0	RING 36		1				
027	233927-1	RING SPRING 34		1				
028	317719-7	CYLINDER GUIDE		1				
029	213611-4	O RING 46		1				
030	233927-1	RING SPRING 34		1				
031	267079-6	FLAT WASHER 34		1				
032	418548-2	CRANK CAP		1				
033	213670-8	O RING 58		1				
034	922123-3	HEX. SOCKET HEAD BOLT M4X14		3				
035	268104-6	PIN 8		1				
036	213958-6	O RING 24		1				
037	213432-4	O RING 26		1				
038	418349-8	PISTON		1				
039	418350-3	CONNECTING ROD		1				
040	154464-1	CRANK SHAFT COMPLETE		1				
041	267025-9	FLAT WASHER 15		1				
042	154465-9	CRANK HOUSING COMPLETE		1				
C10	212224-8	NEEDLE BEARING 1516		1				

Please order the parts with part number.

Print Date 17/11/2023

Model No.HM0830T DEMOLITION HAMMER

Item	Parts No.	Description	I/C	Qty	New/Old	Opt. 1	Opt. 2	Note
C20	212223-0	NEEDLE BEARING 1512		1				
043	213231-4	OIL SEAL 15		1				
044	331596-3	SLEEVE 12		1				
045	211137-0	BALL BEARING 6201LLU		1				
046	253759-0	FLAT WASHER 12		1				
047	418550-5	BAFFLE PLATE		1				
048	241863-7	FAN 70		1				
049	513589-4	ARMATURE ASS'Y 240V		1				
D10		INC. 48,50,51						
050	681644-1	INSULATION WASHER		1				
051	210007-0	BALL BEARING 608VV		1				
052	266095-5	TAPPING SCREW 5X55		2				
053	634523-2	FIELD 220-240V		1				
054	638379-5	SUPPORT COMPLETE		1				
055	154466-7	MOTOR HOUSING COMPLETE		1				
C10	643754-2	BRUSH HOLDER		2				
057	643750-0	BRUSH HOLDER CAP 7-11		2	*			
057-1	643515-0	HOLDER CAP 7-11	O	2				
058	194285-9	CARBON BRUSH CB-327		1				
059	638377-9	LEAD UNIT		1				
060	941151-9	FLAT WASHER 6		4				
061	922356-0	HEX. SOCKET HEAD BOLT M6X35		4				
062	418552-1	REAR COVER		1				
063	265995-6	TAPPING SCREW 4X18		2				
064	418546-6	LOCK BUTTON		1				
065	233406-9	COMPRESSION SPRING 11		1				
066	418549-0	SWITCH LEVER		1				
067	650558-5	SWITCH SP215C-1		1				
068	233408-5	COMPRESSION SPRING 3		1				
069	421583-1	SPONGE SHEET		1				
070	418553-9	HANDLE		1				
071	911333-7	PAN HEAD SCREW M6X20		2				
072	862962-8	HM0830T NAME PLATE		1				
073	266056-5	TAPPING SCREW 5X45		2				
074	695123-3	POWER SUPPLY CORD 1.5-2- 4.0		1				
075	682560-0	CORD GUARD 10		1				
076	687053-2	STRAIN RELIEF		1				
077	265995-6	TAPPING SCREW 4X18		2				
078	418555-5	HANDLE COVER		1				
079	265995-6	TAPPING SCREW 4X18		2				
080	345361-4	GRIP SPRING 60		1				
081	266322-0	SQUARE BOLT M8X80		1	*			
081-1	266322-0	SQUARE BOLT M8X80	<	1				
082	418363-4	SIDE GRIP BASE 60		1				

Please order the parts with part number.

Print Date 17/11/2023

Model No.HM0830T DEMOLITION HAMMER

Item	Parts No.	Description	I/C	Qty	New/Old	Opt. 1	Opt. 2	Note
083	152554-4	GRIP 36 COMPLETE		1				
A01	154828-9	PLASTIC CASE COMPLETE		1				
C10	162202-7	LATCH		2				
C20	416549-4	HANDLE		1				
C30	416556-7	COVER		2				
C40	819140-1	MAKITA LOGO LABEL		1				
C50	817812-2	CAUTION LABEL		1				
A02	798023-7	BULL POINT 17-280		1	*			
A02-1	A-80450	BULL POINT 17X280	O	1				
A03	804897-7	HM0830T MODEL NO. LABEL		1				
F20-1	199143-4	DUST EXTRACTOR ATT SET(EU)	<	1				
F21-1	199143-4	DUST EXTRACTOR ATT SET(EU)	<	1				
F23-1	199144-2	DUST EXTRACTOR ATT SET(EU)	<	1				
C10	417765-1	FRONT CUFF 22		1				
C20	417766-9	FRONT CUFF 38		1				
C30	415021-3	HOSE JOINT		1				
F24-1	199144-2	DUST EXTRACTOR ATT SET(EU)	<	1				
C10	417765-1	FRONT CUFF 22		1				
C20	417766-9	FRONT CUFF 38		1				
C30	415021-3	HOSE JOINT		1				

Please order the parts with part number.

Print Date 17/11/2023