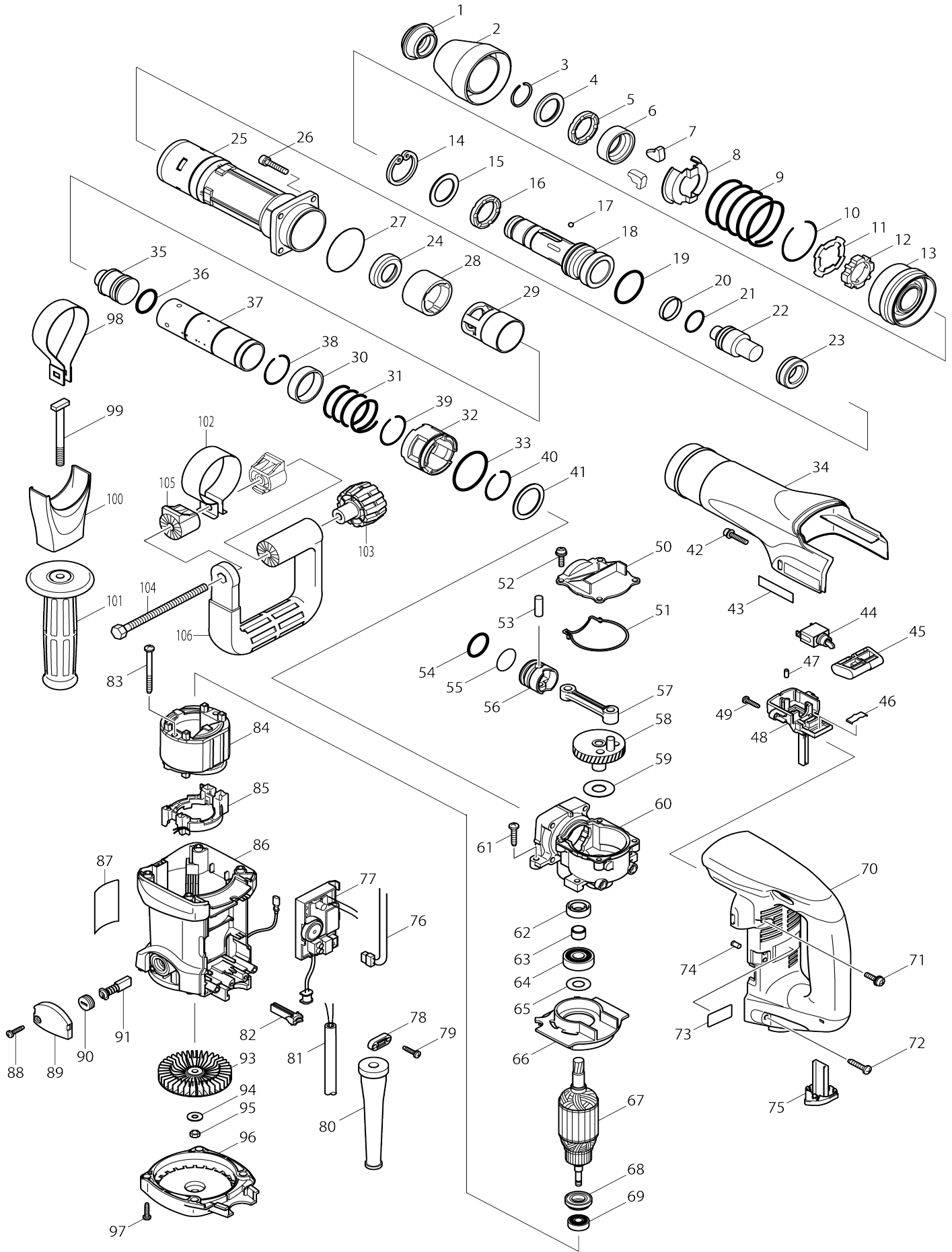


Model No.HM0860C DEMOLITION HAMMER



Model No.HM0860C DEMOLITION HAMMER

Item No.	Parts No.	Description	Interchangability	Q'ty	New/Old	Note1	Note2
001	286269-2	TOOL HOLDER CAP		1			
002	418351-1	CHUCK COVER		1			
003	231984-3	RING SPRING 25		1			
004	267272-2	FLAT WASHER 28		1			
005	262110-3	URETHAN RING 28		1	*		
005-1	424261-2	RUBBER RING 28	S	1			
006	331659-5	CHUCK RING		1			
007	310108-5	TOOL RETAINER		2			
008	345360-6	SPRING GUIDE		1	*		
008-1	346677-0	SPRING GUIDE	<	1			
009	233387-7	COMPRESSION SPRING 52		1			
010	233928-9	RING SPRING 50		1	*		
011	345371-1	PLATE		1	*		
011-1	346141-1	PLATE	S	1			
012	310145-9	LOCK RING		1			
013	418357-9	CHANGE RING		1			
014	962211-4	RETAINING RING R-42		1	*		
014-1	257960-9	RETAINING RING(INT) ROUND R-42	S	1			
015	267273-0	FLAT WASHER 29		1			
016	262110-3	URETHAN RING 28		1	*		
016-1	424261-2	RUBBER RING 28	S	1			
017	216002-8	STEEL BALL 4.8		4			
018	324387-9	TOOL HOLDER		1			
019	213527-3	O RING 38		1			
020	213431-6	FLUORIDE RING 28		1			
021	213394-6	O RING 23		1			
022	324389-5	IMPACT BOLT		1			
023	421852-0	RUBBER RING 20		1			
024	267780-3	CUP WASHER 23		1			
025	317720-2	BARREL		1	*		
025-1	318052-0	BARREL	<	1			
026	922351-0	HEX. SOCKET HEAD BOLT M6X30		4			
027	213656-2	O RING 53		1			
028	418352-9	GUIDE RING		1	*		
028-1	450097-3	GUIDE RING	S	1	*		
028-2	451639-6	GUIDE RING	O	1			
029	418356-1	SLIDE SLEEVE		1	*		
029-1	419202-1	SLIDE SLEEVE	<	1	*		
029-2	450098-1	SLIDE SLEEVE	S	1			
030	331660-0	RING 36		1			
031	233386-9	COMPRESSION SPRING 37		1			
032	317719-7	CYLINDER GUIDE		1			
033	213611-4	O RING 46		1			
034	183719-7	CRANK HOUSING COVER		1			
D10		INC. 43					
035	324388-7	STRIKER		1			
036	213958-6	O RING 24		1			

037	331658-7	CYLINDER 32		1		
038	233927-1	RING SPRING 34		1		
039	233927-1	RING SPRING 34		1		
040	233927-1	RING SPRING 34		1		
041	267079-6	FLAT WASHER 34		1		
042	922243-3	HEX. SOCKET HEAD BOLT M5X25		1		
043	819063-3	MAKITA LABEL		2		
044	651423-1	SWITCH		1	*	
044-1	651423-1	SWITCH	O	1		
045	418360-0	SWITCH LEVER		1		
046	232209-8	LEAF SPRING		1		
047	263027-3	RUBBER PIN 4		1		
048	418361-8	SWITCH BOX		1		
049	265995-6	TAPPING SCREW 4X18		2		
050	418358-7	CRANK CAP		1		
051	421851-2	SEAL RING		1		
052	911233-1	PAN HEAD SCREW M5X20		4		
053	268104-6	PIN 8		1		
054	213958-6	O RING 24		1		
055	213432-4	O RING 26		1		
056	418349-8	PISTON		1		
057	418350-3	CONNECTING ROD		1		
058	153676-3	CRANK SHAFT COMPLETE		1		
059	267166-1	FLAT WASHER 14		1		
060	153678-9	CRANK HOUSING COMPLETE		1		
C10	212151-9	NEEDLE BEARING 1412		1		
C20	212157-7	NEEDLE BEARING 1412		1		
061	266041-8	TAPPING SCREW 5X25		4		
062	213231-4	OIL SEAL 15		1		
063	331596-3	SLEEVE 12		1		
064	211137-0	BALL BEARING 6201LLU		1		
065	253759-0	FLAT WASHER 12		1		
066	418355-3	BAFFLE PLATE		1		
067	513563-2	ARMATURE ASS'Y 220-240V		1		
D10		INC. 68,69				
068	681650-6	INSULATION WASHER		1		
069	210005-4	BALL BEARING 608DDW		1		
070	418366-8	HANDLE		1		
071	911233-1	PAN HEAD SCREW M5X20		2		
072	266041-8	TAPPING SCREW 5X25		2		
073	815954-6	HM0860C SERIAL NO.LABEL		1		
074	416285-2	ACRYLIC PIN 5		2		
075	418359-5	HANDLE CAP		1		
076	638294-3	LEAD UNIT		1		
077	631554-2	CONTROLLER		1		
078	687053-2	STRAIN RELIEF		1		
079	265995-6	TAPPING SCREW 4X18		2		
080	682560-0	CORD GUARD 10		1		
081	695123-3	POWER SUPPLY CORD 1.5-2-4.0		1		
082	418353-7	FIX ROD		1		
083	266044-2	TAPPING SCREW 5X60		2		

084	634508-8	FIELD 220-240V		1		
085	638293-5	SUPPORT COMPLETE		1		
086	153677-1	MOTOR HOUSING COMPLETE		1		
C10	638295-1	LEAD UNIT		1		
C20	643754-2	BRUSH HOLDER		1		
C30	643757-6	BRUSH HOLDER 5X11		1		
087	850965-4	NAME PLATE HM0860C		1		
088	265995-6	TAPPING SCREW 4X18		2		
089	418362-6	BRUSH HOLDER COVER		2		
090	643750-0	BRUSH HOLDER CAP 7-11		2	*	
090-1	643515-0	HOLDER CAP 7-11	O	2		
091	191961-6	A.C. CARBON BRUSH CB-304		1	*	
091-1	193922-2	CARBON BRUSH CB-323	<	1	*	
091-2	194285-9	CARBON BRUSH CB-327	<	1		
093	135058-1	FAN 76 ASS'Y		1		
094	253047-5	FLAT WASHER 6		1		
095	931303-0	HEX. NUT M6		1		
096	418354-5	REAR COVER		1		
097	265995-6	TAPPING SCREW 4X18		4		
098	345361-4	GRIP SPRING 60		1		
099	266322-0	SQUARE BOLT M8X80		1	*	
099-1	266322-0	SQUARE BOLT M8X80	<	1		
100	418363-4	SIDE GRIP BASE 60		1		
101	152554-4	GRIP 36 COMPLETE		1		
A01	181573-3	GREASE VESSEL 93G		1	*	
A01-1	194683-7	GREASE VESSEL SET	O	1		
A02	824708-0	PLASTIC CARRYING CASE		1		
C10	162202-7	LATCH		2		
C20	416549-4	HANDLE		1		
C30	416556-7	COVER		2		
C40	819140-1	MAKITA LOGO LABEL		1		
F05-1	199143-4	DUST EXTRACTOR ATT SET(EU)	<	1		
F06-1	199143-4	DUST EXTRACTOR ATT SET(EU)	<	1		
F08-1	199144-2	DUST EXTRACTOR ATT SET(EU)	<	1		
C10	417765-1	FRONT CUFF 22		1		
C20	417766-9	FRONT CUFF 38		1		
C30	415021-3	HOSE JOINT		1		
F09-1	199144-2	DUST EXTRACTOR ATT SET(EU)	<	1		
C10	417765-1	FRONT CUFF 22		1		
C20	417766-9	FRONT CUFF 38		1		
C30	415021-3	HOSE JOINT		1		

Please state Parts No. when your order.

Print Date 23.10.2023