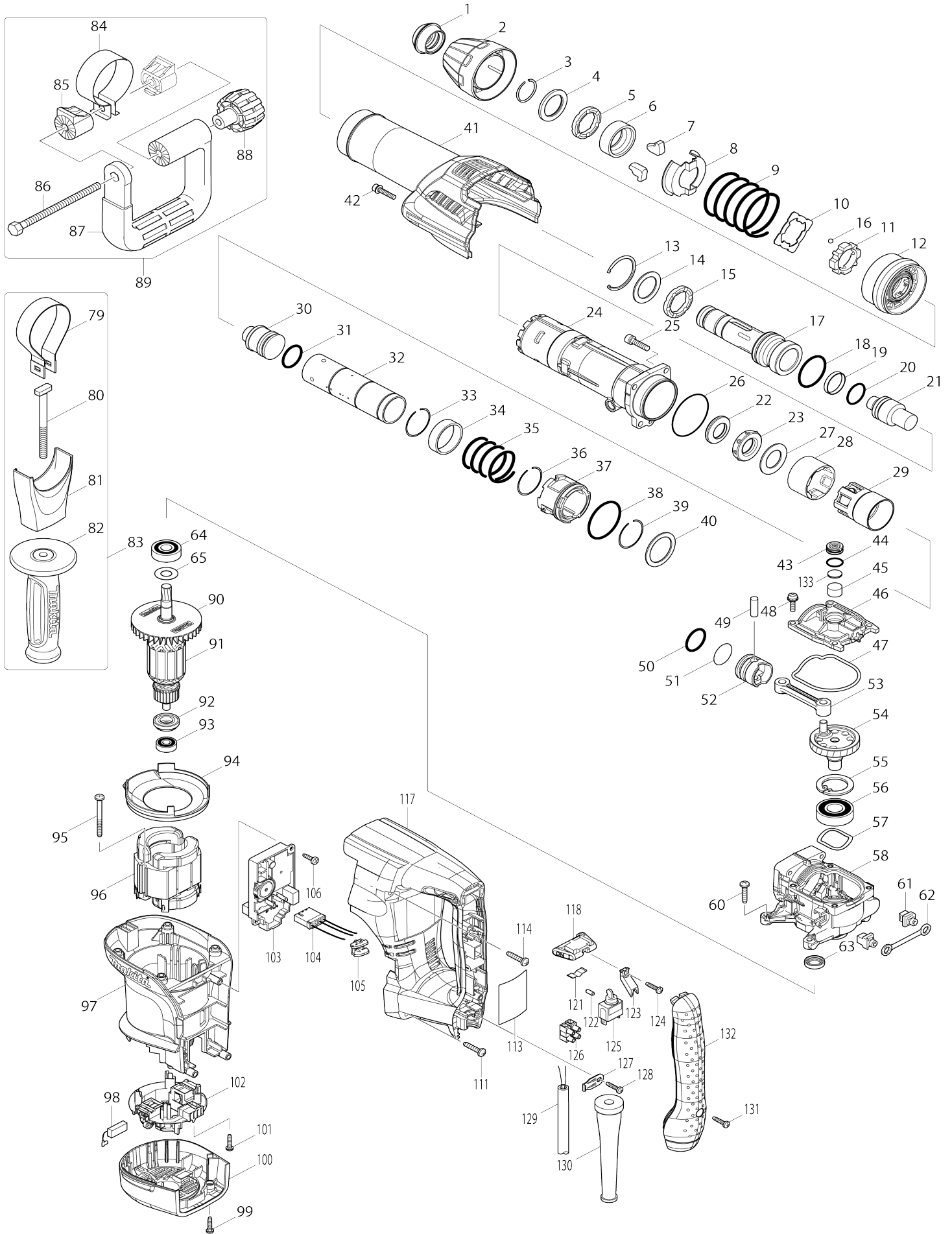


# Model No.HM0870C DEMOLITION HAMMER



# Model No.HM0870C DEMOLITION HAMMER

Item No.	Parts No.	Description	Interchangability	Q'ty	New/Old	Note1	Note2
001	286287-0	TOOL HOLDER CAP		1			
002	451432-8	CHUCK COVER		1			
003	231984-3	RING SPRING 25		1			
004	267272-2	FLAT WASHER 28		1			
005	424261-2	RUBBER RING 28		1			
006	331659-5	CHUCK RING		1			
007	310108-5	TOOL RETAINER		2			
008	345360-6	SPRING GUIDE		1	*		
008-1	346677-0	SPRING GUIDE	<	1			
009	233387-7	COMPRESSION SPRING 52		1			
010	346141-1	PLATE		1			
011	310145-9	LOCK RING		1			
012	451433-6	CHANGE RING		1			
013	257960-9	RETAINING RING(INT) ROUND R-42		1			
014	267273-0	FLAT WASHER 29		1			
015	424261-2	RUBBER RING 28		1			
016	216002-8	STEEL BALL 4.8		4			
017	324387-9	TOOL HOLDER		1			
018	213527-3	O RING 38		1			
019	213431-6	FLUORIDE RING 28		1			
020	213394-6	O RING 23		1			
021	324389-5	IMPACT BOLT		1			
022	325732-1	RING 20		1			
023	424245-0	RUBBER RING 20		1			
024	318512-2	BARREL		1			
025	922341-3	HEX. SOCKET HEAD BOLT M6X25		4			
026	213656-2	O RING 53		1			
027	267407-5	FLAT WASHER 23		1			
028	451639-6	GUIDE RING		1			
029	450098-1	SLIDE SLEEVE		1			
030	324388-7	STRIKER		1			
031	213958-6	O RING 24		1			
032	331658-7	CYLINDER 32		1			
033	233927-1	RING SPRING 34		1			
034	331660-0	RING 36		1			
035	233386-9	COMPRESSION SPRING 37		1			
036	233927-1	RING SPRING 34		1			
037	317719-7	CYLINDER GUIDE		1			
038	213611-4	O RING 46		1			
039	233927-1	RING SPRING 34		1			
040	267079-6	FLAT WASHER 34		1			
041	451444-1	HOUSING COVER		1			
042	922243-3	HEX. SOCKET HEAD BOLT M5X25		1	*		
042-1	922243-3	HEX. SOCKET HEAD BOLT M5X25	O	1			
043	419988-7	FILTER CAP		1			
044	213218-6	O RING 16		1	*		
044-1	213A05-9	O-RING16	O	1			

045	443129-3	FILTER		1		
046	451434-4	CRANK CAP		1		
047	424244-2	SEAL RING		1		
048	911233-1	PAN HEAD SCREW M5X20		4		
049	268104-6	PIN 8		1		
050	213958-6	O RING 24		1		
051	213432-4	O RING 26		1		
052	418349-8	PISTON		1		
053	418350-3	CONNECTING ROD		1		
054	325735-5	CRANK SHAFT 17		1		
055	962157-4	RETAINING RING R-40		1		
056	211281-3	BALL BEARING 6203LLU		1	*	
056-1	211490-4	BALL BEARING 6203LLU	O	1		
057	267825-7	WAVE WASHER 30		1		
058	140206-9	CRANK HOUSING COMPLETE		1		
060	266041-8	TAPPING SCREW 5X25		4		
061	419008-7	FIX GUIDE		2		
062	423345-3	CUSHION PLATE		1		
063	213133-4	OIL SEAL 12		1	*	
063-1	213678-2	OIL SEAL 12	O	1		
064	211106-1	BALL BEARING 6201LLB		1		
065	253759-0	FLAT WASHER 12		1		
079	346140-3	GRIP SPRING 70		1		
080	266522-2	SQUARE BOLT M8X95		1		
081	418363-4	SIDE GRIP BASE 60		1		
082	158131-0	GRIP 36 COMPLETE		1		
083	135332-7	GRIP 36 ASSEMBLY		1		
D10		INC. 79-82				
090	240119-5	FAN 76		1		
091	513793-5	ARMATURE ASSEMBLY 220-240V		1		
D10		INC. 90,92,93				
092	681650-6	INSULATION WASHER		1		
093	210005-4	BALL BEARING 608DDW		1		
094	451438-6	BAFFLE PLATE		1		
095	266095-5	TAPPING SCREW 5X55		2		
096	625764-1	FIELD 240V		1		
097	451423-9	MOTOR HOUSING		1		
098	194160-9	CARBON BRUSH CB-350		1	*	
098-1	195004-6	CARBON BRUSH SET CB-350	O	1		
099	265995-6	TAPPING SCREW 4X18		2		
100	451442-5	REAR COVER		1		
101	265995-6	TAPPING SCREW 4X18		4		
102	638674-3	BRUSH HOLDER UNIT		1		
103	631930-0	CONTROLLER		1		
104	638675-1	LEAD UNIT		1		
105	451428-9	LENS		1		
106	266192-7	TAPPING SCREW 4X14		2	*	
106-1	266901-4	TAPPING SCREW 4X14	<	2		
111	266041-8	TAPPING SCREW 5X25		2		
113	867390-2	HM0870C NAME PLATE		1	*	
113-1	814H49-0	HM0870C NAME PLATE	O	1		

114	266041-8	TAPPING SCREW 5X25		2		
117	140207-7	HANDLE COMPLETE		1		
118	451440-9	SLIDE LEVER		1		
121	232209-8	LEAF SPRING		1		
122	263027-3	RUBBER PIN 4		1		
123	451427-1	SWITCH LEVER		1		
124	265995-6	TAPPING SCREW 4X18		1		
125	651418-4	SWITCH ST115A-40		1	*	
125-1	651418-4	SWITCH ST115A-40	O	1		
126	654531-7	TERMINAL BLOCK 2P		1	*	
126-1	654741-6	TERMINAL BLOCK	O	1		
127	687169-3	STRAIN RELIEF		1		
128	265995-6	TAPPING SCREW 4X18		1		
129	695123-3	POWER SUPPLY CORD 1.5-2-4.0		1		
130	682560-0	CORD GUARD 10		1		
131	265995-6	TAPPING SCREW 4X18		1		
132	451445-9	HANDLE COVER		1		
133	423411-6	RUBBER PLATE		1		
A01	194683-7	GREASE VESSEL SET		1	*	
A01-1	198993-4	GREASE VESSEL SET	<	1		
A02	443122-7	CLOTH		1		
A03	824905-8	PLASTIC CARRYING CASE		1		
C10	162271-8	LATCH		2		
C20	450990-1	HANDLE		1		
C30	325809-2	SHAFT		1		
A04	809667-9	HM0870C PLASTIC CASE LABEL		2	*	
A04-1	801F95-0	HM0870C PLASTIC CASE LABEL	<	2	*	
A04-2	806X18-1	HM0870C PLASTIC CASE LABEL	<	2		
B01	195113-1	HAMMER SERVICE KIT		1		
C10	181490-7	HAMMER GREASE 30G		1		
D10		INC. 1,3,7,19,20,31,50,51,98				
E03	801G22-3	CLEAR LABEL		1	*	
E04	819V87-1	SOUND 96DB LABEL		1	*	
E04-1	801091-2	SOUND 98DB LABEL	<	1		
F04-1	199143-4	DUST EXTRACTOR ATT SET(EU)	<	1		
F05-1	199143-4	DUST EXTRACTOR ATT SET(EU)	<	1		
F07-1	199144-2	DUST EXTRACTOR ATT SET(EU)	<	1		
C10	417765-1	FRONT CUFF 22		1		
C20	417766-9	FRONT CUFF 38		1		
C30	415021-3	HOSE JOINT		1		
F08-1	199144-2	DUST EXTRACTOR ATT SET(EU)	<	1		
C10	417765-1	FRONT CUFF 22		1		
C20	417766-9	FRONT CUFF 38		1		
C30	415021-3	HOSE JOINT		1		

Please state Parts No. when your order.

Print Date 03/01/2024