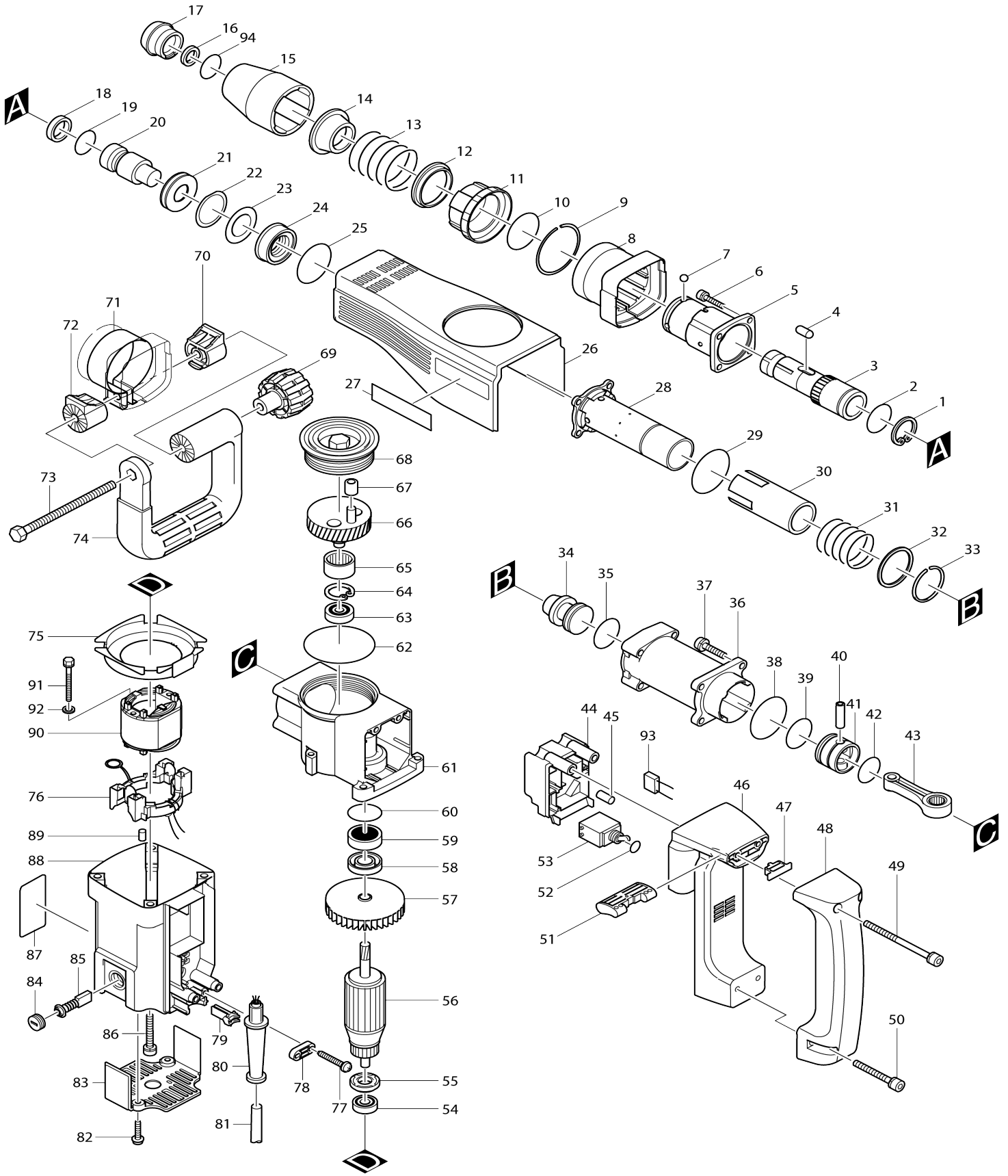


Model No.HM1100 DEMOLITION HAMMER



Model No.HM1100 DEMOLITION HAMMER

Item No.	Parts No.	Description	Interchangeability	Q'ty	New/Old	Note1	Note2
001	962154-0	RETAINING RING R-36		1			
002	213479-8	O RING 33		1			
003-2	322982-9	TOOL HOLDER		1			
004	322908-1	ROLLER 8		2			
005	322882-3	TOOL HOLDER SUPPORT		1			
006	922351-0	HEX. SOCKET HEAD BOLT M6X30		4			
007	216011-7	STEEL BALL 5.6		4			
008	416086-8	SIDE HANDLE SUPPORT		1			
009	231972-0	RING SPRING 52		1			
010	213554-0	O RING 44		1			
011	416087-6	CHANGE RING		1	*		
011-1	416087-6	CHANGE RING	O	1			
012	331489-4	STEEL BALL GUIDE		1			
013	233167-1	COMPRESSION SPRING 44		1			
014	331484-4	ROLLER GUIDE		1	*		
014-1	331504-4	ROLLER GUIDE	X	1			
015	416085-0	TOOL HOLDER COVER		1			
016	213270-4	X RING 18		1			
017	286244-8	TOOL HOLDER CAP		1	*		
017-1	286246-4	TOOL HOLDER CAP	X	1			
018	213269-9	X RING 19		1			
019	213311-6	O RING 19		1			
020	322906-5	IMPACT BOLT		1	*		
020-1	323845-2	IMPACT BOLT	O	1			
021	331487-8	IMPACT BOLT GUIDE		1			
022	421570-0	RING 36		1			
023	213391-2	O RING 25		1			
024	331488-6	SLEEVE GUIDE		1			
025-1	213554-0	O RING 44		1			
026	415698-4	HOUSING COVER		1			
027	819064-1	MAKITA MARK		1			
028-1	125071-7	CYLINDER LINER ASS'Y		1	*		
D10		INC. 30,31,32,33					
028-2	322757-6	CYLINDER LINER 34	X	1			
029	213614-8	O RING 50		1			
030-1	125071-7	CYLINDER LINER ASS'Y		1	*		
D10		INC. 28,31,32,33					
030-2	331486-0	SLEEVE 39	X	1			
031	233166-3	COMPRESSION SPRING 39		1	*		
031-1	233190-6	COMPRESSION SPRING 39	X	1			
032	267156-4	FLAT WASHER 39		1			
033	231971-2	RING SPRING 36		1			
034	322907-3	STRIKER		1			
035	213429-3	O RING 27		1			
036	316672-4	BARREL		1			
037-1	922351-0	HEX. SOCKET HEAD BOLT M6X30		4			
038	213606-7	O RING 48		1			

039	213429-3	O RING 27		1			
040	257676-6	SLEEVE 6		1	*		
040-1	256165-8	PIN 8	O	1			
041	415773-6	PISTON		1			
042	213415-4	O RING 28		1			
043	415689-5	ROD		1			
044	415699-2	SWITCH BOX		1			
045	263002-9	RUBBER PIN 4		2			
046	416231-5	CONTROLLER COVER		1	*		
046-1	417446-7	CONTROLLER COVER	X	1			
047	415692-6	STOPPER		1			
048	421507-7	HANDLE		1			
049	266135-9	HEX. SOCKET HEAD BOLT M6X90		2			
050	922371-4	HEX. SOCKET HEAD BOLT M6X50		2			
051	415691-8	SWITCH LEVER		1			
052	213107-5	O RING 12		1			
053	651481-7	SWITCH STE215K		1			
054	211033-2	BALL BEARING 608LB		1			
055	681643-3	INSULATION WASHER		1	*		
055-1	681651-4	INSULATION WASHER	X	1			
056B_	510028-5	ARMATURE ASS'Y 220/240V		1			
D10		INC. 54,55,57					
057	241876-8	FAN 76		1			
058	213160-1	OIL SEAL 14		1			
059	211129-9	BALL BEARING 6201DDW		1	*		
059-1	211143-5	BALL BEARING 6201DDW	X	1	*		
059-2	211129-9	BALL BEARING 6201DDW	O	1			
061	134792-0	CRANK HOUSING ASS'Y		1	*		
D10		INC. 60,63-65					
061-1	134875-6	CRANK HOUSING ASS'Y	O	1	*		
D10		INC. 63-65					
061-2	134875-6	CRANK HOUSING ASS'Y	<	1			
D10		INC. 63-65					
062	213707-1	O RING 65		1			
063	210054-1	BALL BEARING 6000LLU		1			
064	962105-3	RETAINING RING R-26		1			
065	212259-9	NEEDLE BEARING 2116		1			
066	153249-2	CRANK SHAFT COMPLETE		1			
067	216116-3	INNER SLEEVE 812		1			
068	415690-0	CRANK CAP		1			
069	252640-2	WING NUT M8		1			
070	416010-1	HANDLE BASE 60		1	*		
070-1	416396-3	HANDLE BASE 60	X	1	*		
071	344379-2	HANDLE SPRING 60		1	*		
071-1	344559-0	HANDLE SPRING 60	X	1	*		
071-2	152620-7	SIDE HANDLE BASE 60 COMPLETE	X	1			
072	416010-1	HANDLE BASE 60		1	*		
072-1	416396-3	HANDLE BASE 60	X	1	*		
073	265439-6	HEX. BOLT M8X150		1			
074	416009-6	SIDE HANDLE		1	*		
074-1	417003-1	SIDE HANDLE	X	1			

075	415693-4	BAFFLE PLATE		1		
076	632678-7	SUPPORT COMPLETE		1		
077	265995-6	TAPPING SCREW 4X18		2		
078C_	687063-9	CORD CLAMP		1	*	
078C1	687052-4	STRAIN RELIEF	X	1		
079	416167-8	FIX ROD		1		
080B_	682540-6	CORD GUARD 9.3-90		1	*	
080B1	682560-0	CORD GUARD 10	X	1		
081K_	665883-1	POWER SUPPLY CORD 1.0-2-5.0		1		
082	266021-4	TAPPING SCREW 5X20		2		
083	415700-3	REAR COVER		1		
084	643750-0	BRUSH HOLDER CAP 7-11		2	*	
084-1	643515-0	HOLDER CAP 7-11	O	2		
085	191961-6	A.C. CARBON BRUSH CB-304		1	*	
085-1	193922-2	CARBON BRUSH CB-323	O	1	*	
085-2	194285-9	CARBON BRUSH CB-327	<	1	*	
085-3	195003-8	CARBON BRUSH SET CB-327	O	1		
086	922364-1	HEX. SOCKET HEAD BOLT M6X40		4		
087	858345-8	NAME PLATE HM1100		1		
088	159919-1	MOTOR HOUSING COMPLETE		1	*	
C10	643754-2	BRUSH HOLDER		2	*	
D10		INC. 89				
088-1	152662-1	MOTOR HOUSING COMPLETE	X	1		
C10	643754-2	BRUSH HOLDER		2		
D10		INC. 89				
089	263014-2	RUBBER PIN 4		1		
090E_	639009-1	FIELD 220V		1		
091	265345-5	+ HEX. BOLT M5X60		2		
092	941102-2	FLAT WASHER 5		2		
093	645105-5	NOISE SUPPRESSOR		1		
094	213385-7	O RING 24		1		
095	417002-3	SIDE HANDLE CAM		2		
A01	150676-4	PLASTIC CARRYING CASE		1		
C10	416401-6	LATCH		2	*	
C11	163467-4	LATCH	X	2		
C20	817812-2	CAUTION LABEL		1		
C30	819145-1	MAKITA LOGO LABEL		1		
A02	181573-3	GREASE VESSEL 93G		1	*	
A02-1	181573-3	GREASE VESSEL 93G	O	1	*	
A02-2	194683-7	GREASE VESSEL SET	O	1		
B01	134793-8	SIDE HANDLE ASS'Y		1	*	
D10		INC. 69-74				
B01-1	134909-5	SIDE HANDLE ASS'Y	X	1		
D10		INC. 69,71,73,74,95				
E06	646078-5	CHOKE COIL		1		

Please state Parts No. when your order.

Print Date 11/01/2023