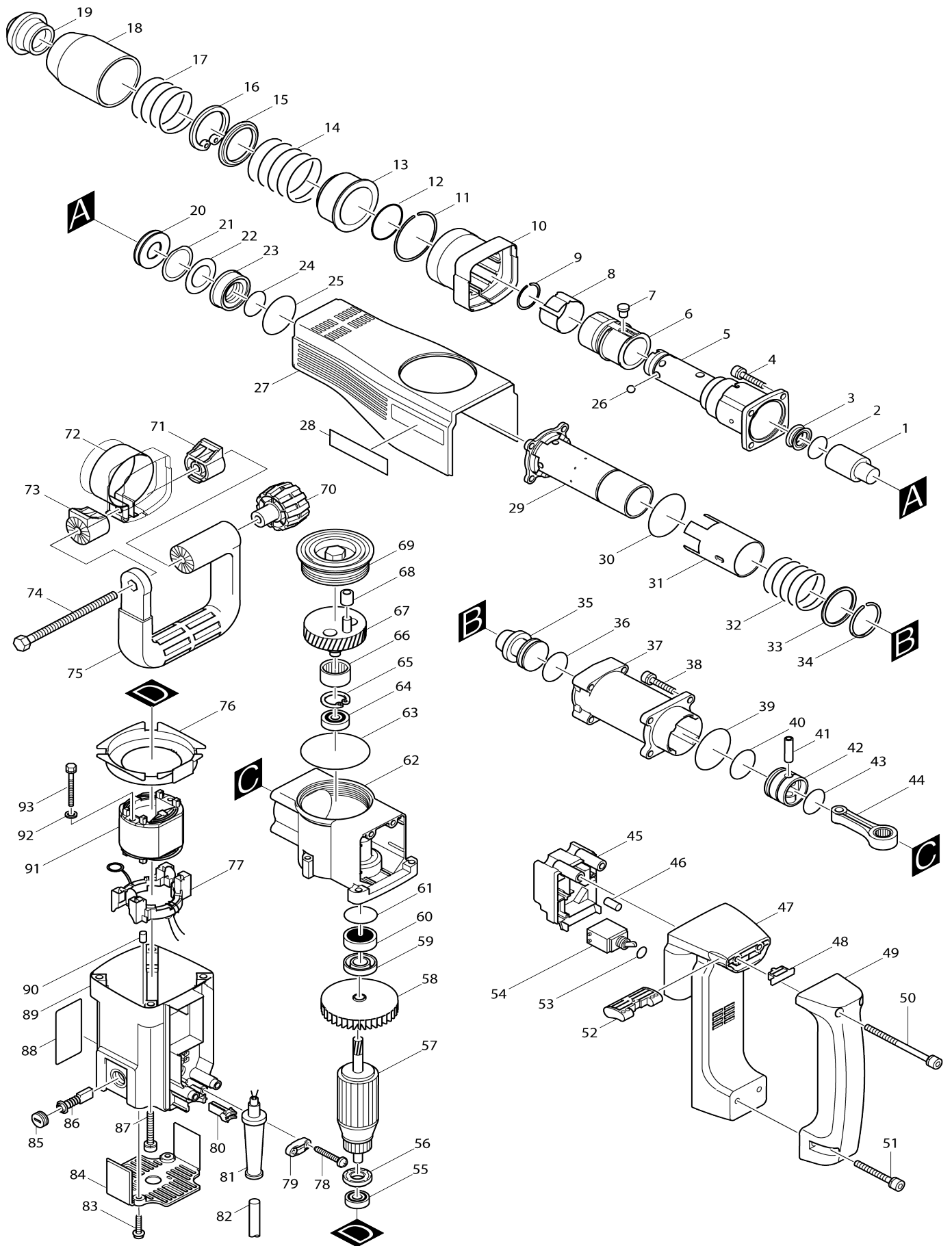


Model No.HM1130 DEMOLITION HAMMER



Model No.HM1130 DEMOLITION HAMMER

Item No.	Parts No.	Description	Interchangability	Q'ty	New/Old	Note1	Note2
001	323752-9	IMPACT BOLT		1			
002	213411-2	O RING 27		1			
003	213428-5	X RING 28		1			
004	922351-0	HEX. SOCKET HEAD BOLT M6X30		4			
005	323755-3	TOOL HOLDER		1			
006	323754-5	CHUCK RING		1			
007	256450-9	PIN 8		1			
008	232178-3	LEAF SPRING 37		1			
009	231983-5	RING SPRING 27		1			
010	416086-8	SIDE HANDLE SUPPORT		1			
011	231972-0	RING SPRING 52		1			
012	213554-0	O RING 44		1			
013	416491-9	SPRING GUIDE		1			
014	233208-3	COMPRESSION SPRING 47		1			
015	344618-0	WASHAR 40		1			
016	961176-7	RETAINING RING S-40		1			
017	233207-5	COMPRESSION SPRING 46		1			
018	416490-1	TOOL HOLDER COVER		1			
019	286249-8	TOOL HOLDER CAP		1			
020	331525-6	IMPACT BOLT GUIDE		1			
021	421570-0	RING 36		1			
022	213391-2	O RING 25		1			
023	331526-4	SLEEVE GUIDE		1			
024	213370-0	O RING 22		1			
025	213554-0	O RING 44		1			
026	216004-4	STEEL BALL 7.9		6			
027	415698-4	HOUSING COVER		1			
028	819064-1	MAKITA MARK		1			
029	134820-1	CYLINDER LINER 34 ASS'Y		1			
D10		INC. 31					
030	213614-8	O RING 50		1			
031	331527-2	SLEEVE 39		1			
032	233206-7	COMPRESSION SPRING 39		1			
033	267156-4	FLAT WASHER 39		1			
034	231971-2	RING SPRING 36		1			
035	323753-7	STRIKER		1			
036	213429-3	O RING 27		1			
037	316672-4	BARREL		1			
038	922351-0	HEX. SOCKET HEAD BOLT M6X30		4			
039	213606-7	O RING 48		1			
040	213429-3	O RING 27		1			
041	257676-6	SLEEVE 6		1	*		
041-1	256165-8	PIN 8	O	1			
042	415773-6	PISTON		1			
043	213415-4	O RING 28		1			
044	415689-5	ROD		1			
045	415699-2	SWITCH BOX		1			

046	263002-9	RUBBER PIN 4		2			
047	416231-5	CONTROLLER COVER		1	*		
047-1	417446-7	CONTROLLER COVER	X	1			
048	415692-6	STOPPER		1			
049	421507-7	HANDLE		1			
050	266135-9	HEX. SOCKET HEAD BOLT M6X90		2			
051	922371-4	HEX. SOCKET HEAD BOLT M6X50		2			
052	415691-8	SWITCH LEVER		1			
053	213107-5	O RING 12		1			
054	651481-7	SWITCH STE215K		1			
055	211033-2	BALL BEARING 608LB		1			
056	681651-4	INSULATION WASHER		1			
057A_	510028-5	ARMATURE ASS'Y 220/240V		1			
D10		INC. 55,56,58					
058	241876-8	FAN 76		1			
059	213160-1	OIL SEAL 14		1			
060	211129-9	BALL BEARING 6201DDW		1	*		
060-1	211143-5	BALL BEARING 6201DDW	X	1	*		
060-2	211129-9	BALL BEARING 6201DDW	O	1			
062	134792-0	CRANK HOUSING ASS'Y		1	*		
D10		INC. 61,64-66					
062-1	134875-6	CRANK HOUSING ASS'Y	O	1	*		
D10		INC. 64-66					
062-2	134875-6	CRANK HOUSING ASS'Y	<	1			
D10		INC. 64-66					
063	213707-1	O RING 65		1			
064	210054-1	BALL BEARING 6000LLU		1			
065	962105-3	RETAINING RING R-26		1			
066	212259-9	NEEDLE BEARING 2116		1			
067	153249-2	CRANK SHAFT COMPLETE		1			
068	216116-3	INNER SLEEVE 812		1			
069	415690-0	CRANK CAP		1			
070	252640-2	WING NUT M8		1			
071	416396-3	HANDLE BASE 60		1	*		
072	344559-0	HANDLE SPRING 60		1	*		
072-1	152620-7	SIDE HANDLE BASE 60 COMPLETE	X	1			
073	416396-3	HANDLE BASE 60		1	*		
074	265439-6	HEX. BOLT M8X150		1			
075	416009-6	SIDE HANDLE		1	*		
075-1	417003-1	SIDE HANDLE	X	1			
076	415693-4	BAFFLE PLATE		1			
077	632678-7	SUPPORT COMPLETE		1			
078	265995-6	TAPPING SCREW 4X18		2			
079C_	687063-9	CORD CLAMP		1	*		
079C1	687052-4	STRAIN RELIEF	X	1			
080	416167-8	FIX ROD		1			
081B_	682540-6	CORD GUARD 9.3-90		1	*		
081B1	682560-0	CORD GUARD 10	X	1			
082D_	665883-1	POWER SUPPLY CORD 1.0-2-5.0		1			
083	266021-4	TAPPING SCREW 5X20		2			
084	415700-3	REAR COVER		1			

085	643750-0	BRUSH HOLDER CAP 7-11		2	*		
085-1	643515-0	HOLDER CAP 7-11	O	2			
086	191961-6	A.C. CARBON BRUSH CB-304		1	*		
086-1	193922-2	CARBON BRUSH CB-323	O	1	*		
086-2	194285-9	CARBON BRUSH CB-327	<	1	*		
086-3	195003-8	CARBON BRUSH SET CB-327	O	1			
087	922364-1	HEX. SOCKET HEAD BOLT M6X40		4			
088	859372-8	NAME PLATE HM1130		1			
089	159919-1	MOTOR HOUSING COMPLETE		1	*		
C10	643754-2	BRUSH HOLDER		2	*		
D10		INC. 90					
089-1	152662-1	MOTOR HOUSING COMPLETE	X	1			
C10	643754-2	BRUSH HOLDER		2			
D10		INC. 90					
090	263014-2	RUBBER PIN 4		1			
091B_	639009-1	FIELD 220V		1			
092	941102-2	FLAT WASHER 5		2			
093	265345-5	+ HEX. BOLT M5X60		2			
094	417002-3	SIDE HANDLE CAM		2			
A01	150676-4	PLASTIC CARRYING CASE		1			
C10	416401-6	LATCH		2	*		
C11	163467-4	LATCH	X	2			
C20	817812-2	CAUTION LABEL		1			
C30	819145-1	MAKITA LOGO LABEL		1			
A02	181573-3	GREASE VESSEL 93G		1	*		
A02-1	181573-3	GREASE VESSEL 93G	O	1			
A03	798023-7	BULL POINT 17-280		1	*		
A03-1	A-80450	BULL POINT 17X280	O	1			
B01	134793-8	SIDE HANDLE ASS'Y		1	*		
D10		INC. 70-75					
B01-1	134909-5	SIDE HANDLE ASS'Y	X	1			
D10		INC. 70,72,74,75,94					
E01	645105-5	NOISE SUPPRESSOR		1			
E05	646078-5	CHOKE COIL		1			

Please state Parts No. when your order.

Print Date 10/24/2023