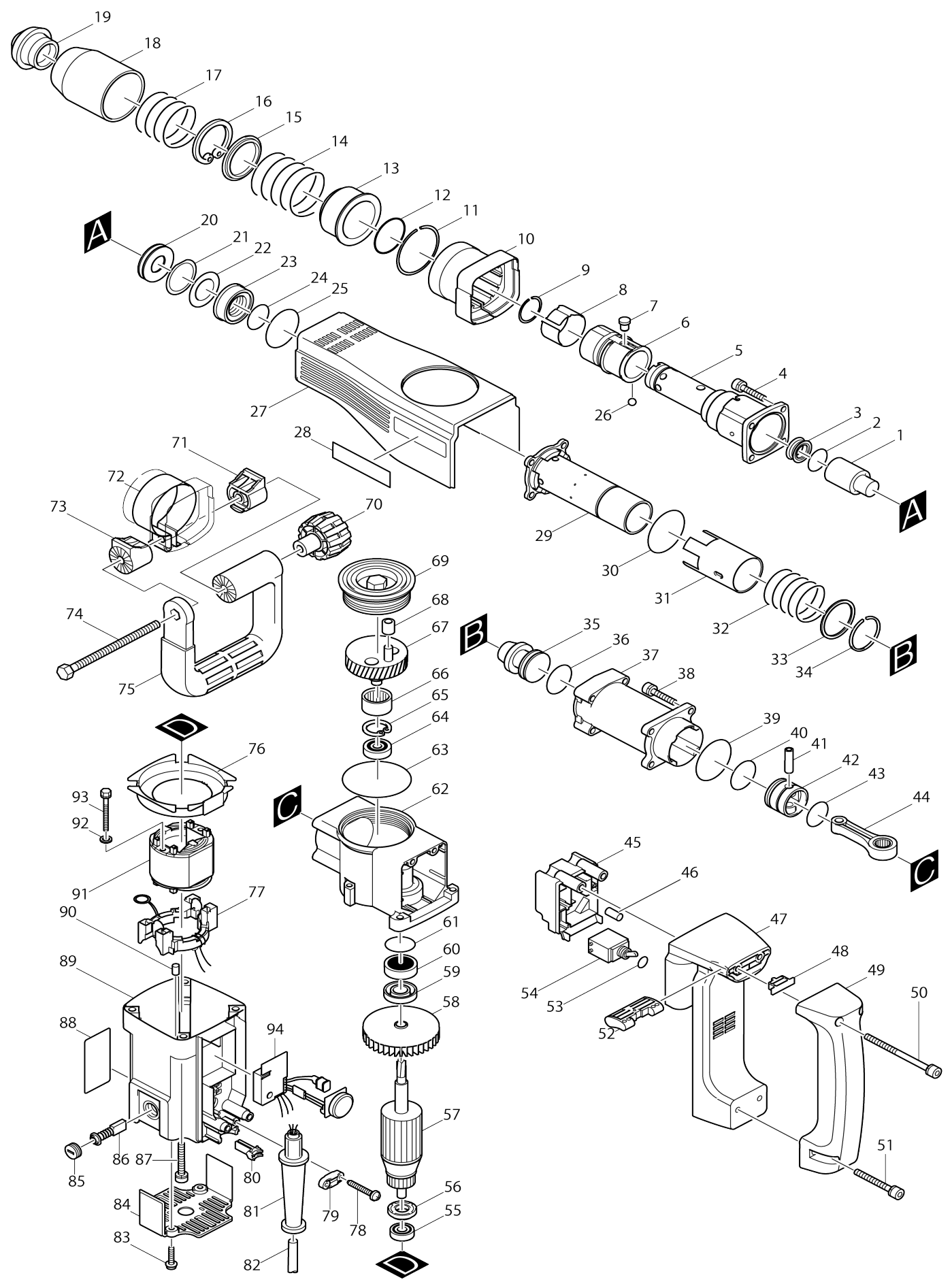


Model No.HM1130C DEMOLITION HAMMER



Model No.HM1130C DEMOLITION HAMMER

| Item No. | Parts No. | Description | Interchangability | Q'ty | New/Old | Note1 | Note2 |
|----------|-----------|-----------------------------|-------------------|------|---------|-------|-------|
| 001 | 323752-9 | IMPACT BOLT | | 1 | | | |
| 002 | 213411-2 | O RING 27 | | 1 | | | |
| 003 | 213428-5 | X RING 28 | | 1 | | | |
| 004 | 922351-0 | HEX. SOCKET HEAD BOLT M6X30 | | 4 | | | |
| 005 | 323755-3 | TOOL HOLDER | | 1 | | | |
| 006 | 323754-5 | CHUCK RING | | 1 | | | |
| 007 | 256450-9 | PIN 8 | | 1 | | | |
| 008 | 232178-3 | LEAF SPRING 37 | | 1 | | | |
| 009 | 231983-5 | RING SPRING 27 | | 1 | | | |
| 010 | 416086-8 | SIDE HANDLE SUPPORT | | 1 | | | |
| 011 | 231972-0 | RING SPRING 52 | | 1 | | | |
| 012 | 213554-0 | O RING 44 | | 1 | | | |
| 013 | 416491-9 | SPRING GUIDE | | 1 | | | |
| 014 | 233208-3 | COMPRESSION SPRING 47 | | 1 | | | |
| 015 | 344618-0 | WASHAR 40 | | 1 | | | |
| 016 | 961176-7 | RETAINING RING S-40 | | 1 | | | |
| 017 | 233207-5 | COMPRESSION SPRING 46 | | 1 | | | |
| 018 | 416490-1 | TOOL HOLDER COVER | | 1 | | | |
| 019 | 286249-8 | TOOL HOLDER CAP | | 1 | | | |
| 020 | 331525-6 | IMPACT BOLT GUIDE | | 1 | | | |
| 021 | 421570-0 | RING 36 | | 1 | | | |
| 022 | 213391-2 | O RING 25 | | 1 | | | |
| 023 | 331526-4 | SLEEVE GUIDE | | 1 | | | |
| 024 | 213370-0 | O RING 22 | | 1 | | | |
| 025 | 213554-0 | O RING 44 | | 1 | | | |
| 026 | 216004-4 | STEEL BALL 7.9 | | 6 | | | |
| 027 | 415698-4 | HOUSING COVER | | 1 | | | |
| 028 | 819064-1 | MAKITA MARK | | 1 | | | |
| 029 | 134820-1 | CYLINDER LINER 34 ASS'Y | | 1 | | | |
| D10 | | INC. 31 | | | | | |
| 030 | 213614-8 | O RING 50 | | 1 | | | |
| 031 | 331527-2 | SLEEVE 39 | | 1 | | | |
| 032 | 233206-7 | COMPRESSION SPRING 39 | | 1 | | | |
| 033 | 267156-4 | FLAT WASHER 39 | | 1 | | | |
| 034 | 231971-2 | RING SPRING 36 | | 1 | | | |
| 035 | 323753-7 | STRIKER | | 1 | | | |
| 036 | 213429-3 | O RING 27 | | 1 | | | |
| 037 | 316672-4 | BARREL | | 1 | | | |
| 038 | 922351-0 | HEX. SOCKET HEAD BOLT M6X30 | | 4 | | | |
| 039 | 213606-7 | O RING 48 | | 1 | | | |
| 040 | 213429-3 | O RING 27 | | 1 | | | |
| 041 | 257676-6 | SLEEVE 6 | | 1 | * | | |
| 041-1 | 256165-8 | PIN 8 | O | 1 | | | |
| 042 | 415773-6 | PISTON | | 1 | | | |
| 043 | 213415-4 | O RING 28 | | 1 | | | |
| 044 | 415689-5 | ROD | | 1 | | | |
| 045 | 415699-2 | SWITCH BOX | | 1 | | | |
| | | | | | | | |

| | | | | | | | |
|-------|----------|------------------------------|---|---|---|--|--|
| 046 | 263002-9 | RUBBER PIN 4 | | 2 | | | |
| 047-1 | 415696-8 | CONTROLLER COVER | | 1 | * | | |
| 047-2 | 417447-5 | CONTROLLER COVER | X | 1 | | | |
| 048 | 415692-6 | STOPPER | | 1 | | | |
| 049 | 421507-7 | HANDLE | | 1 | | | |
| 050 | 266135-9 | HEX. SOCKET HEAD BOLT M6X90 | | 2 | | | |
| 051 | 922371-4 | HEX. SOCKET HEAD BOLT M6X50 | | 2 | | | |
| 052 | 415691-8 | SWITCH LEVER | | 1 | | | |
| 053 | 213107-5 | O RING 12 | | 1 | | | |
| 054 | 651481-7 | SWITCH STE215K | | 1 | | | |
| 055 | 211033-2 | BALL BEARING 608LB | | 1 | | | |
| 056 | 681650-6 | INSULATION WASHER | | 1 | | | |
| 057 | 516288-7 | ARMATURE ASS'Y 220/240V | | 1 | | | |
| D10 | | INC. 55,56,58 | | | | | |
| 058 | 241876-8 | FAN 76 | | 1 | | | |
| 059 | 213160-1 | OIL SEAL 14 | | 1 | | | |
| 060 | 211129-9 | BALL BEARING 6201DDW | | 1 | * | | |
| 060-1 | 211143-5 | BALL BEARING 6201DDW | X | 1 | * | | |
| 060-2 | 211129-9 | BALL BEARING 6201DDW | O | 1 | | | |
| 062 | 134792-0 | CRANK HOUSING ASS'Y | | 1 | * | | |
| D10 | | INC. 61,64-66 | | | | | |
| 062-1 | 134875-6 | CRANK HOUSING ASS'Y | O | 1 | * | | |
| D10 | | INC. 64-66 | | | | | |
| 062-2 | 134875-6 | CRANK HOUSING ASS'Y | < | 1 | | | |
| D10 | | INC. 64-66 | | | | | |
| 063 | 213707-1 | O RING 65 | | 1 | | | |
| 064 | 210054-1 | BALL BEARING 6000LLU | | 1 | | | |
| 065 | 962105-3 | RETAINING RING R-26 | | 1 | | | |
| 066 | 212259-9 | NEEDLE BEARING 2116 | | 1 | | | |
| 067 | 153249-2 | CRANK SHAFT COMPLETE | | 1 | | | |
| 068 | 216116-3 | INNER SLEEVE 812 | | 1 | | | |
| 069 | 415690-0 | CRANK CAP | | 1 | | | |
| 070 | 252640-2 | WING NUT M8 | | 1 | | | |
| 071 | 416396-3 | HANDLE BASE 60 | | 1 | * | | |
| 072 | 344559-0 | HANDLE SPRING 60 | | 1 | * | | |
| 072-1 | 152620-7 | SIDE HANDLE BASE 60 COMPLETE | X | 1 | | | |
| 073 | 416396-3 | HANDLE BASE 60 | | 1 | * | | |
| 074 | 265439-6 | HEX. BOLT M8X150 | | 1 | | | |
| 075 | 416009-6 | SIDE HANDLE | | 1 | * | | |
| 075-1 | 417003-1 | SIDE HANDLE | X | 1 | | | |
| 076 | 415693-4 | BAFFLE PLATE | | 1 | | | |
| 077 | 632678-7 | SUPPORT COMPLETE | | 1 | | | |
| 078 | 265995-6 | TAPPING SCREW 4X18 | | 2 | | | |
| 079 | 687063-9 | CORD CLAMP | | 1 | * | | |
| 079-1 | 687052-4 | STRAIN RELIEF | X | 1 | | | |
| 080-1 | 415695-0 | FIX ROD | | 1 | | | |
| 081B_ | 682540-6 | CORD GUARD 9.3-90 | | 1 | * | | |
| 081B1 | 682560-0 | CORD GUARD 10 | X | 1 | | | |
| 082C_ | 665883-1 | POWER SUPPLY CORD 1.0-2-5.0 | | 1 | | | |
| 083 | 266021-4 | TAPPING SCREW 5X20 | | 2 | | | |
| 084 | 415700-3 | REAR COVER | | 1 | | | |

| | | | | | | | |
|-------|----------|-----------------------------|---|---|---|--|--|
| 085 | 643750-0 | BRUSH HOLDER CAP 7-11 | | 2 | * | | |
| 085-1 | 643515-0 | HOLDER CAP 7-11 | O | 2 | | | |
| 086 | 191961-6 | A.C. CARBON BRUSH CB-304 | | 1 | * | | |
| 086-1 | 193922-2 | CARBON BRUSH CB-323 | O | 1 | * | | |
| 086-2 | 194285-9 | CARBON BRUSH CB-327 | < | 1 | * | | |
| 086-3 | 195003-8 | CARBON BRUSH SET CB-327 | O | 1 | | | |
| 087 | 922364-1 | HEX. SOCKET HEAD BOLT M6X40 | | 4 | | | |
| 088 | 859371-0 | NAME PLATE HM1130C | | 1 | | | |
| 089 | 159919-1 | MOTOR HOUSING COMPLETE | | 1 | * | | |
| C10 | 643754-2 | BRUSH HOLDER | | 2 | * | | |
| D10 | | INC. 90 | | | | | |
| 089-1 | 152662-1 | MOTOR HOUSING COMPLETE | X | 1 | | | |
| C10 | 643754-2 | BRUSH HOLDER | | 2 | | | |
| D10 | | INC. 90 | | | | | |
| 090 | 263014-2 | RUBBER PIN 4 | | 1 | | | |
| 091C_ | 639007-5 | FIELD 220V | | 1 | | | |
| 092 | 941102-2 | FLAT WASHER 5 | | 2 | | | |
| 093 | 265345-5 | + HEX. BOLT M5X60 | | 2 | | | |
| 094 | 631204-9 | CONTROLLER 200/220/240V | | 1 | | | |
| 095 | 417002-3 | SIDE HANDLE CAM | | 2 | | | |
| A01 | 150676-4 | PLASTIC CARRYING CASE | | 1 | | | |
| C10 | 416401-6 | LATCH | | 2 | * | | |
| C11 | 163467-4 | LATCH | X | 2 | | | |
| C20 | 817812-2 | CAUTION LABEL | | 1 | | | |
| C30 | 819145-1 | MAKITA LOGO LABEL | | 1 | | | |
| A02 | 181573-3 | GREASE VESSEL 93G | | 1 | * | | |
| A02-1 | 181573-3 | GREASE VESSEL 93G | O | 1 | | | |
| A03 | 798023-7 | BULL POINT 17-280 | | 1 | * | | |
| A03-1 | A-80450 | BULL POINT 17X280 | O | 1 | | | |
| B01 | 134793-8 | SIDE HANDLE ASS'Y | | 1 | * | | |
| D10 | | INC. 70-75 | | | | | |
| B01-1 | 134909-5 | SIDE HANDLE ASS'Y | X | 1 | | | |
| D10 | | INC. 70,72,74,75,95 | | | | | |
| E01 | 645105-5 | NOISE SUPPRESSOR | | 1 | | | |

Please state Parts No. when your order.

Print Date 10/26/2023