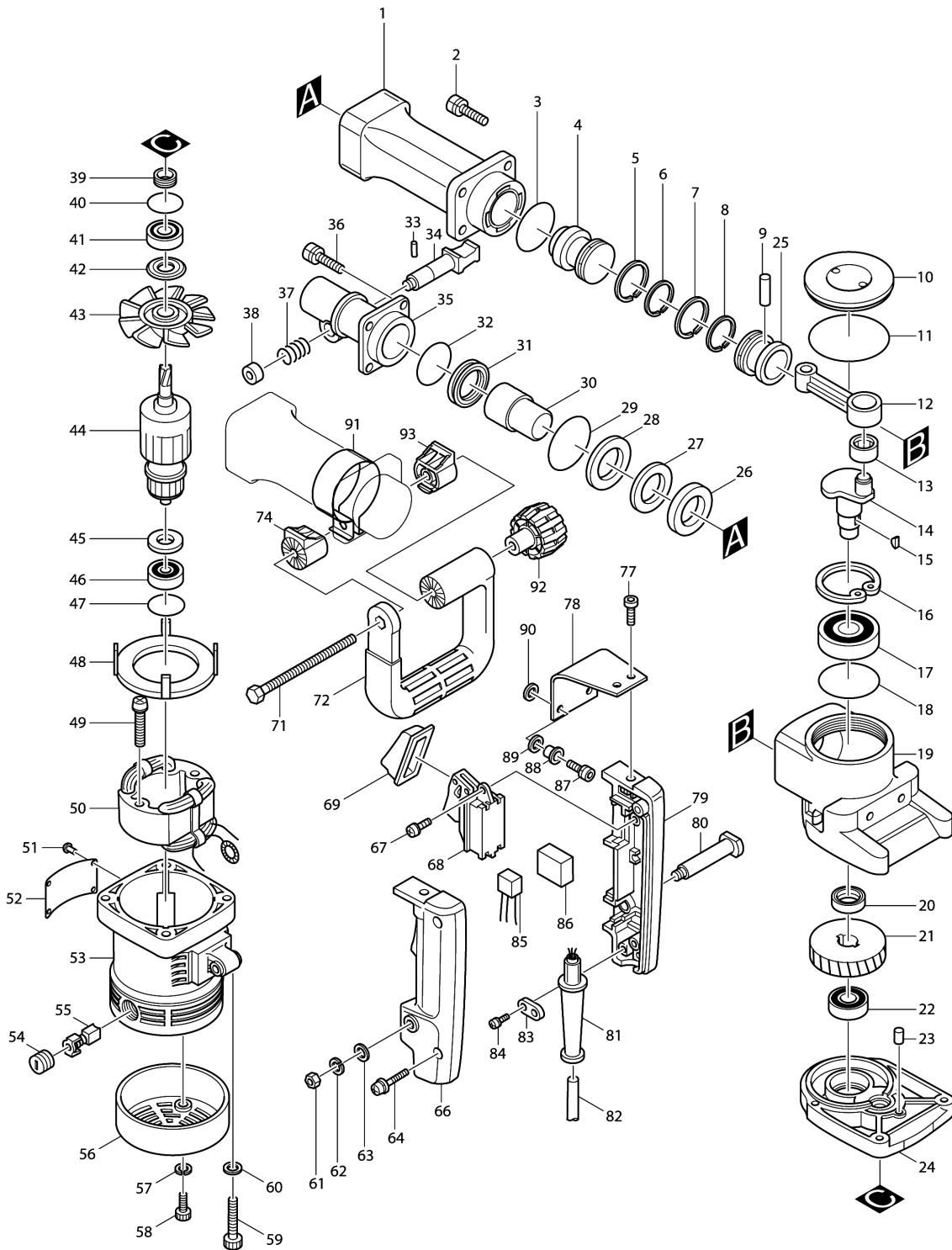


Model No.HM1200B DEMOLITION HAMMER



## Model No.HM1200B DEMOLITION HAMMER

Item	Parts No.	Description	I/C	Qty	New/Old	Opt. 1	Opt. 2	Note
001	151310-9	BARREL COMPLETE		1				
C10	331331-9	CYLINDER LINER 40		1				
002	922451-6	HEX. SOCKET HEAD BOLT M8X30		4				
003	213655-4	O RING 56		1				
004	321732-9	STRIKER		1				
005	412049-2	PISTON RING 40		1				
006	341862-0	INNER RING 36		1				
007	412049-2	PISTON RING 40		1				
008	341862-0	INNER RING 36		1				
009	256120-0	PIN 10		1				
010	150369-3	CRANK CAP COMPLETE		1	*			
C10	810712-5	CAUTION LABEL		1	*			
010-1	414218-1	CRANK CAP	O	1				
011	213754-2	O RING 71		1				
012	315419-3	CONNECTING ROD		1				
013	212208-6	NEEDLE BEARING 1516		1				
014	152180-9	CRANK SHAFT COMPLETE		1				
C10	216114-7	INNER SLEEVE 1216		1				
015	254001-2	WOODRUFF KEY 4		2				
016	962251-2	RETAINING RING R-52		1				
017	211314-4	BALL BEARING 6304		1	*			
017-1	211327-5	BALL BEARING 6304LLU	O	1				
018	213656-2	O RING 53		1				
019	156863-3	CRANK HOUSING COMPLETE		1				
D10		INC. 18						
020	213306-9	OIL SEAL 20		1				
021	221701-9	HELICAL GEAR 50		1				
022	211209-1	BALL BEARING 6202		1				
023	256111-1	PIN 6		1				
024	157072-7	GEAR HOUSING		1				
C10	213460-9	O RING 35		1				
025	321441-0	PISTON		1				
026	267059-2	FLAT WASHER 32		1				
027	261054-4	NYLON WASHER 32		1				
028	253845-7	FLAT WASHER 31		1				
029	213604-1	O RING 50		1				
030	322569-7	IMPACT BOLT		1				
031	213472-2	X RING 35		1				
032	213464-1	O RING 34		1				
033	256219-1	PIN 4		1				
034	322570-2	TOOL RETAINER		1				
035	322571-0	TOOL HOLDER		1				
036	922451-6	HEX. SOCKET HEAD BOLT M8X30		4				
037	231281-7	COMPRESSION SPRING 15		1				

Please order the parts with part number.

Print Date 17/11/2023

## Model No.HM1200B DEMOLITION HAMMER

Item	Parts No.	Description	I/C	Qty	New/Old	Opt. 1	Opt. 2	Note
038	322560-5	RETAINER RING		1	*			
038-1	322699-4	RETAINER RING	X	1				
039	331180-4	SEAL		1				
040	213460-9	O RING 35		1				
041	211206-7	BALL BEARING 6202LLB		1				
042	213202-1	DUST SEAL 15		1				
043	241638-4	FAN 94		1				
044C_	514778-4	ARMATURE ASS'Y 220V		1	*			
D11		INC. 41-43,45,46			*			
044C1	514778-4	ARMATURE ASS'Y 220V	O	1				
D11		INC. 41-43,45,46						
045	681624-7	INSULATION WASHER		1	*			
045-1	681635-2	INSULATION WASHER	O	1				
046	211066-7	BALL BEARING 6200LLB		1	*			
046-1	211087-9	BALL BEARING 6200DDW	X	1				
047	213406-5	O RING 30		1				
048	410163-8	BAFFLE PLATE		1				
049	265347-1	+ HEX. BOLT M5X45		2				
050H_	528910-4	FIELD ASS'Y 220V		1				
C10	654020-2	RING TERMINAL		2				
C20	654502-4	CONNECTOR P-2		2				
052	857144-5	NAME PLATE HM1200B		1				
053	159034-1	MOTOR HOUSING		1	*			
C10	643653-8	BRUSH HOLDER 6.5-13.5		2	*			
C20	913206-0	SET SCREW M5X8		2	*			
D10		INC. 47			*			
053-1	159034-1	MOTOR HOUSING	O	1				
C10	643653-8	BRUSH HOLDER 6.5-13.5		2				
C20	913206-0	SET SCREW M5X8		2				
D10		INC. 47						
054	643650-4	BRUSH HOLDER CAP 6.5-13.5		2	*			
054-1	643650-4	BRUSH HOLDER CAP 6.5-13.5	O	2				
055	181048-2	A.C. CARBON BRUSH CB-155		1	*			
055-1	194987-7	CARBON BRUSH SET CB-155	O	1				
056	284055-5	REAR COVER		1				
057	942101-7	SPRING WASHER 5		2	*			
058	922222-1	HEX. SOCKET HEAD BOLT M5X16		2	*			
058-1	922221-3	HEX. SOCKET HEAD BOLT M5X16	O	2				
059	922371-4	HEX. SOCKET HEAD BOLT M6X50		4				
060	941151-9	FLAT WASHER 6		4				
061	931302-2	HEX. NUT M6		1				
062	942151-2	SPRING WASHER 6		1				
063	941151-9	FLAT WASHER 6		1				
064	911243-8	PAN HEAD SCREW M5X25		2				

Please order the parts with part number.

Print Date 17/11/2023

## Model No.HM1200B DEMOLITION HAMMER

Item	Parts No.	Description	I/C	Qty	New/Old	Opt. 1	Opt. 2	Note
066-1	182077-8	HANDLE SET		1				
D10		INC. 79						
067	911129-6	PAN HEAD SCREW M4X16		1				
068	651145-3	SWITCH C3D-H-MS		1				
069	421265-5	DUST COVER		1				
071	952257-8	SPLIT PIN 3.0-20		2	*			
071-1	265439-6	HEX. BOLT M8X150	S	1				
072	343322-8	SIDE HANDLE		1	*			
072-1	416009-6	SIDE HANDLE	S	1	*			
072-2	417003-1	SIDE HANDLE	S	1				
074	343321-0	GRIP BASE		1	*			
074-1	416010-1	HANDLE BASE 60	S	1	*			
074-2	416396-3	HANDLE BASE 60	S	1	*			
077	922316-2	HEX. SOCKET HEAD BOLT M6X14		2				
078	343755-7	CUSHION PLATE		2				
079-1	182077-8	HANDLE SET		1				
D10		INC. 66						
080	321210-9	HANDLE SHAFT		1				
081B_	682540-6	CORD GUARD 9.3-90		1	*			
081B1	682505-8	CORD GUARD 10-90	O	1				
082G1	665883-1	POWER SUPPLY CORD 1.0-2- 5.0		1				
083C_	687031-2	STRAIN RELIEF		1				
084	911133-5	PAN HEAD SCREW M4X18		2				
085B_	645253-0	NOISE SUPPRESSOR		1				
086	685700-9	SPONGE SHEET		1				
087	265914-2	HEX. SOCKET HEAD BOLT M6X25		2				
088	257636-8	SLEEVE 6		2				
089	262052-1	RUBBER RING 9		2				
090	262051-3	RUBBER RING 9		2				
091	344379-2	HANDLE SPRING 60		1	*			
091-1	344559-0	HANDLE SPRING 60	S	1	*			
091-2	152620-7	SIDE HANDLE BASE 60 COMPLETE	X	1				
092	252640-2	WING NUT M8		1				
093	416010-1	HANDLE BASE 60		1	*			
093-1	416396-3	HANDLE BASE 60	S	1	*			
094	417002-3	SIDE HANDLE CAM		2				
095	819063-3	MAKITA LABEL		2				
A01-3	182700-5	STEEL CARRYING CASE		1	*			
C10	810751-5	CAUTION LABEL		1	*			
D10		INC. A04			*			
A01-4	150586-5	PLASTIC CARRYING CASE COMP.	O	1				
C10	810751-5	CAUTION LABEL		1				
C20	817812-2	CAUTION LABEL		1				

Please order the parts with part number.

Print Date 17/11/2023

**Model No.HM1200B DEMOLITION HAMMER**

Item	Parts No.	Description	I/C	Qty	New/Old	Opt. 1	Opt. 2	Note
C30	416401-6	LATCH		2	*			
C31	163467-4	LATCH	X	2				
C40	819145-1	MAKITA LOGO LABEL		1				
A02	783202-0	HEX. WRENCH 4		1				
A03	783210-1	HEX. WRENCH 8		1	*			

Please order the parts with part number.

Print Date 17/11/2023