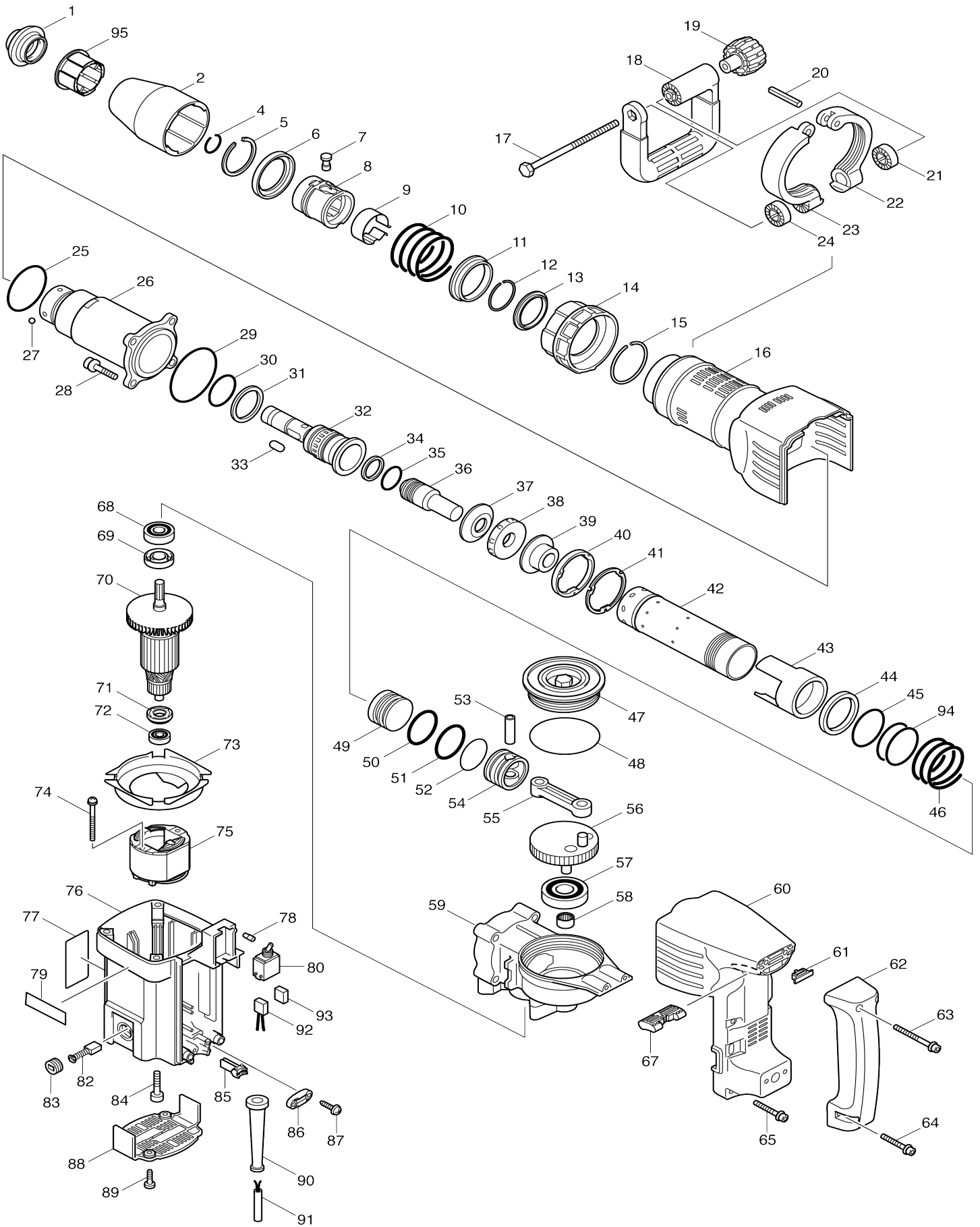


Model No.HM1202 DEMOLITION HAMMER



Model No.HM1202 DEMOLITION HAMMER

Item No.	Parts No.	Description	Interchangeability	Q'ty	New/Old	Note1	Note2
001	286250-3	TOOL HOLDER CAP		1			
002	416933-3	TOOL HOLDER COVER		1	*		
002-1	417577-2	TOOL HOLDER COVER	X	1			
003	233217-2	COMPRESSION SPRING 51		1	*		
004	231984-3	RING SPRING 25		1			
005	961232-3	RETAINING RING WR-45		1			
006	267735-8	CUP WASHER 45		1			
007	323767-6	PIN 8		1			
008	323773-1	CHUCK RING		1	*		
008-1	324108-9	CHUCK RING	X	1	*		
008-2	324185-1	CHUCK RING	X	1			
009	232180-6	LEAF SPRING 41		1			
010	233218-0	COMPRESSION SPRING 55		1			
011	323876-1	STEEL BALL GUIDE		1	*		
011-1	324131-4	STEEL BALL GUIDE	X	1			
012	231988-5	RING SPRING 34		1	*		
012-1	233909-3	RING SPRING 33	X	1			
013	267197-0	FLAT WASHER 37		1	*		
013-1	267197-0	FLAT WASHER 37	O	1	*		
013-2	267760-9	WASHER 37	X	1			
014	416934-1	CHANGE RING		1			
015	231989-3	RING SPRING 46		1			
016	416938-3	HOUSING COVER		1			
017	265439-6	HEX. BOLT M8X150		1			
018	417003-1	SIDE HANDLE		1			
019	252640-2	WING NUT M8		1			
020	951166-8	SPRING PIN 5-24		1			
021	417002-3	SIDE HANDLE CAM		1			
022	317223-6	SIDE HANDLE BASE 82A		1	*		
022-1	318505-9	SIDE HANDLE BASE 82A	O	1			
023	317224-4	SIDE HANDLE BASE 82B		1	*		
023-1	318506-7	SIDE HANDLE BASE 82B	O	1			
024	417002-3	SIDE HANDLE CAM		1			
025	213670-8	O RING 58		1			
026	310087-7	BARREL		1			
027	216011-7	STEEL BALL 5.6		4			
028	922451-6	HEX. SOCKET HEAD BOLT M8X30		4			
029	213720-9	O RING 67		1			
030	213508-7	O RING 38		1	*		
030-1	213510-0	O RING 36	O	1			
031	262083-0	URETHANE RING 43		1	*		
031-1	262095-3	URETHANE RING 41	X	1			
032	323878-7	TOOL HOLDER		1	*		
032-1	323878-7	TOOL HOLDER	O	1	*		
032-2	324109-7	TOOL HOLDER	X	1			
033	322908-1	ROLLER 8		2			
034	213431-6	FLUORIDE RING 28		2			

035	213394-6	O RING 23		2		
036	323908-4	IMPACT BOLT		1	*	
036-1	324132-2	IMPACT BOLT	X	1		
037	323909-2	IMPACT BOLT GUIDE		1		
038	421691-8	RUBBER RING 25		1		
039	323875-3	COLLARED SLEEVE 24		1		
040	416927-8	GUIDE RING		1	*	
040-1	417600-3	GUIDE RING	X	1		
041	344790-8	FLAT WASHER 49		1	*	
041-1	344998-4	FLAT WASHER 49	X	1		
042	331554-9	CYLINDER LINER 44		1	*	
042-1	331608-2	CYLINDER LINER 44	X	1		
043	416928-6	SLIDE SLEEVE 49		1		
044	257224-1	RING 49		1		
045	213508-7	O RING 38		1		
046	233246-5	COMPRESSION SPRING 50		1		
047	416935-9	CRANK CAP		1		
048	213806-9	O RING 90		1		
049	323910-7	STRIKER		1		
050	213485-3	O RING 34		1		
051	213485-3	O RING 34		1		
052	213523-1	O RING 36		1		
053	257693-6	SLEEVE 9		1		
054	416929-4	PISTON		1		
055	416930-9	ROD		1		
056	323877-9	CRANK SHAFT		1		
057	211327-5	BALL BEARING 6304LLU		1		
058	212113-7	NEEDLE BEARING 1212		1		
059	317225-2	CRANK HOUSING		1	*	
059-1	318102-1	CRANK HOUSING	<	1		
060	416941-4	CONTROLLER COVER		1		
061	415692-6	STOPPER		1		
062	421507-7	HANDLE		1		
063	922361-7	HEX. SOCKET HEAD BOLT M6X40		2		
064	922353-6	HEX.SOCKET HEAD BOLT M6X30		2		
065	922353-6	HEX.SOCKET HEAD BOLT M6X30		4		
067	416931-7	SWITCH LEVER		1		
068	211235-0	BALL BEARING 6202DDW		1	*	
068-1	211228-7	BALL BEARING 6202DDW	O	1	*	
068-2	211238-4	BALL BEARING 6202LLU	X	1		
069	213273-8	OIL SEAL 17		1		
070D_	518497-4	ARMATURE ASS'Y 220V		1		
C10	241908-1	FAN 80		1		
D10		INC. 71,72				
071	681640-9	INSULATION WASHER		1		
072	211088-7	BALL BEARING 6000DDW		1		
073	416936-7	BAFFLE PLATE		1		
074	266095-5	TAPPING SCREW 5X55		2		
075D_	528930-8	FIELD ASS'Y 220V		1		
C10	654020-2	RING TERMINAL		2		
C20	654502-4	CONNECTOR P-2		2		
076	151794-1	MOTOR HOUSING COMPLETE		1	*	

C10	643653-8	BRUSH HOLDER 6.5-13.5		2	*		
076-1	158580-1	MOTOR HOUSING COMPLETE	S	1			
C10	643653-8	BRUSH HOLDER 6.5-13.5		2			
077	851767-1	NAME PLATE HM1202		1			
078-1	263002-9	RUBBER PIN 4		1			
079	819064-1	MAKITA MARK		2			
080	651481-7	SWITCH STE215K		1			
082	181048-2	A.C. CARBON BRUSH CB-155		1	*		
082-1	194987-7	CARBON BRUSH SET CB-155	O	1			
083	643650-4	BRUSH HOLDER CAP 6.5-13.5		2	*		
083-1	643650-4	BRUSH HOLDER CAP 6.5-13.5	O	2			
084	922364-1	HEX. SOCKET HEAD BOLT M6X40		4			
085	416167-8	FIX ROD		1			
086	687053-2	STRAIN RELIEF		1			
087	265995-6	TAPPING SCREW 4X18		2			
088	416937-5	REAR COVER		1			
089	265995-6	TAPPING SCREW 4X18		2			
090	682560-0	CORD GUARD 10		1			
091I_	695123-3	POWER SUPPLY CORD 1.5-2-4.0		1			
092A_	645200-1	NOISE SUPPRESSOR		1			
093	685722-9	SPONGE		1			
094	213508-7	O RING 38		2			
095	417576-4	SLEEVE 39		1			
096	267809-5	WAVE WASHER 19		1			
A01	181573-3	GREASE VESSEL 93G		1	*		
A01-1	181573-3	GREASE VESSEL 93G	O	1	*		
A01-2	194683-7	GREASE VESSEL SET	O	1			
A02	824564-8	PLASTIC CARRYING CASE		1			
C10	416401-6	LATCH		2	*		
C11	163467-4	LATCH	X	2			
C20	819145-1	MAKITA LOGO LABEL		1			
A03A_	A-80787	BULL POINT 280 SDS-MAX		1	*		
B01	134885-3	SIDE HANDLE ASS'Y		1	*		
D10		INC. 17-24					
B01-1	135269-8	SIDE HANDLE 82 ASS'Y	O	1			
D10		INC. 17-24					

Please state Parts No. when your order.

Print Date 10/25/2023