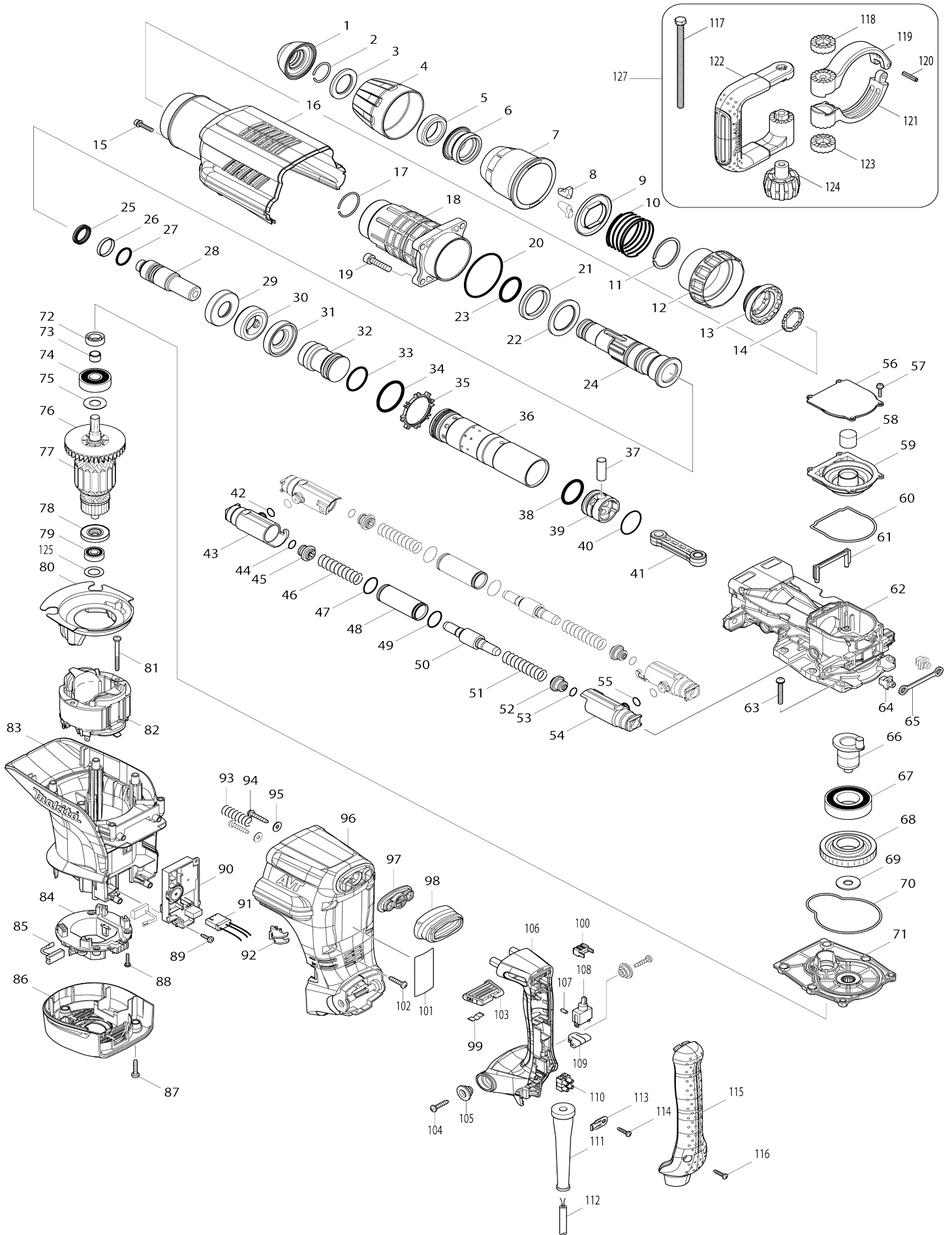


Model No. HM1213C DEMOLITION HAMMER



Model No.HM1213C DEMOLITION HAMMER

Item No.	Parts No.	Description	Interchangability	Q'ty	New/Old	Note1	Note2
001	424165-8	TOOL HOLDER CAP		1			
002	233973-4	RING SPRING 26		1			
003	267386-7	FLAT WASHER 30		1			
004	450894-7	CHUCK COVER		1			
005	262147-0	RUBBER RING 30		1			
006	324987-5	CHUCK RING		1			
007	450895-5	RELEASE COVER		1			
008	310279-8	TOOL RETAINER		2			
009	346015-6	SPRING GUIDE		1			
010	234086-4	COMPRESSION SPRING 56		1			
011	961232-3	RETAINING RING WR-45		1			
012	450893-9	CHANGE RING COVER		1			
013	324969-7	CHANGE RING		1			
014	324988-3	LOCK RING		1			
015	922243-3	HEX. SOCKET HEAD BOLT M5X25		1			
016	450902-4	HOUSING COVER		1			
017	233970-0	RING SPRING 35		1			
018	158858-2	BARREL COMPLETE		1			
019	922456-6	HEX. SOCKET HEAD BOLT M8X35		4			
020	213720-9	O RING 67		1			
021	262148-8	RUBBER RING 39		1			
022	267387-5	FLAT WASHER 39		1			
023	213079-4	O-RING 35.5		1			
024	324985-9	TOOL HOLDER		1			
025	213980-3	X-RING 21		1			
026	213431-6	FLUORIDE RING 28		1			
027	213394-6	O RING 23		1			
028	324990-6	IMPACT BOLT		1			
029	324993-0	SHOULDER SLEEVE		1			
030	262149-6	RUBBER RING 24		1			
031	324993-0	SHOULDER SLEEVE		1			
032	324991-4	STRIKER		1	*		
032-1	326002-1	STRIKER	O	1			
033	213499-2	O-RING 31.5		1			
034	213581-7	O-RING 44		1			
035	450889-0	ONE WAY VALVE GUIDE		1			
036	331848-2	CYLINDER 40		1	*		
036-1	331925-0	CYLINDER 40	O	1			
037	268121-6	PIN 12		1			
038	213499-2	O-RING 31.5		1			
039	450961-8	PISTON		1			
040	213149-9	O RING 35		1			
041	450890-5	CONNECTING ROD		1			
042	213118-0	O RING 12		2			
043	318361-7	PIPE HOLDER		2			
044	213118-0	O RING 12		2			
045	419773-8	SPRING GUIDE		2			

046	234085-6	COMPRESSION SPRING 15		2		
047	213953-6	O RING 24		2		
048	331745-2	PIPE 22		2		
049	213953-6	O RING 24		2		
050	324992-2	COUNTER WEIGHT		2		
051	234085-6	COMPRESSION SPRING 15		2		
052	419773-8	SPRING GUIDE		2		
053	213118-0	O RING 12		2		
054	318361-7	PIPE HOLDER		2		
055	213118-0	O RING 12		2		
056	450899-7	CRANK CAP COVER		1		
057	911133-5	PAN HEAD SCREW M4X18		4		
058	443127-7	FILTER		1		
059	450898-9	CRANK CAP		1		
060	424166-6	SEAL RING		1		
061	450892-1	AIR PIPE		1		
062	318363-3	CRANK HOUSING		1		
063	266482-8	H.S.BUTTON HEAD SCREW M6X40		6		
064	419008-7	FIX GUIDE		2		
065	423366-5	CUSHION PLATE		1		
066	324994-8	CRANK SHAFT		1		
067	211424-7	BALL BEARING 6206LLU		1		
068	226691-1	HELICAL GEAR 57		1		
069	267398-0	FLAT WASHER 12		1		
070	424167-4	SEAL RING		1		
071	158859-0	GEAR HOUSING COMPLETE		1		
072	213231-4	OIL SEAL 15		1		
073	331596-3	SLEEVE 12		1		
074	211249-9	BALL BEARING 6302LLU		1		
075	267397-2	FLAT WASHER 15		1		
076	240003-4	FAN 80		1		
077	517818-7	ARMATURE ASS'Y 220-240V		1		
D10		INC. 73-76,78,79				
078	681642-5	INSULATION WASHER		1		
079	210059-1	BALL BEARING 6000DDW		1	*	
079-1	211289-7	BALL BEARING 6000DDW	O	1		
080	450900-8	BAFFLE PLATE		1		
081	266095-5	TAPPING SCREW 5X55		2		
082	636303-2	FIELD 220-240V		1		
083	450904-0	MOTOR HOUSING		1		
084	638447-4	BRUSH HOLDER UNIT		1	*	
084-1	632D00-2	BRUSH HOLDER UNIT	<	1		
085	194412-8	CARBON BRUSH CB-171		1	*	
085-1	195844-2	CARBON BRUSH CB-175	<	1		
086	450901-6	REAR COVER		1		
087	266041-8	TAPPING SCREW 5X25		3		
088	265995-6	TAPPING SCREW 4X18		4		
089	266192-7	TAPPING SCREW 4X14		2	*	
089-1	266300-0	TAPPING SCREW 4X18	<	2	*	
089-2	265678-8	TAPPING SCREW 4X18	O	2		
090	631871-0	CONTROLLER		1		

091	638650-7	LEAD UNIT		1		
092	419010-0	LENS		1		
093	233434-4	COMPRESSION SPRING 11		1		
094	266173-1	TAPPING SCREW 5X30		2		
095	253807-5	FLAT WASHER 5		2		
096	450905-8	HANDLE BASE		1		
097	419783-5	DUST COVER SUPPORT		1		
098	424001-8	DUST COVER		1		
099	232209-8	LEAF SPRING		1		
100	450891-3	LEVER STOPPER		1		
101	866631-3	HM1213C NAME PLATE		1	*	
101-1	814558-5	HM1213C NAME PLATE	<	1		
102	266041-8	TAPPING SCREW 5X25		6		
103	450896-3	SLIDE LEVER		1		
104	266041-8	TAPPING SCREW 5X25		2		
105	313124-6	SHOULDER SLEEVE 6		2	*	
105-1	450352-3	SHOULDER SLEEVE 6	O	2		
106	450906-6	HANDLE		1		
107	263027-3	RUBBER PIN 4		1		
108	651423-1	SWITCH		1	*	
108-1	651423-1	SWITCH	O	1		
109	423379-6	SPONGE SHEET		1		
110	654531-7	TERMINAL BLOCK 2P		1		
111	682560-0	CORD GUARD 10		1		
112	695123-3	POWER SUPPLY CORD 1.5-2-4.0		1		
113	687169-3	STRAIN RELIEF		1		
114	265995-6	TAPPING SCREW 4X18		1		
115	450908-2	HANDLE COVER		1		
116	265995-6	TAPPING SCREW 4X18		2		
117	265439-6	HEX. BOLT M8X150		1		
118	417002-3	SIDE HANDLE CAM		1		
119	318505-9	SIDE HANDLE BASE 82A		1		
120	951166-8	SPRING PIN 5-24		1		
121	318506-7	SIDE HANDLE BASE 82B		1		
122	417003-1	SIDE HANDLE		1		
123	417002-3	SIDE HANDLE CAM		1		
124	252640-2	WING NUT M8		1		
125	267164-5	FLAT WASHER 15		1		
127	135269-8	SIDE HANDLE 82 ASS'Y		1		
D10		INC. 117-124				
128	801Y75-0	CLEAR LABEL		1	*	
A01	A-80787	BULL POINT 280 SDS-MAX		1	*	
A01-1	D-34176	BULL POINT FOR SDS-MAX 300	O	1		
A02	194659-4	GREASE VESSEL SET		1	*	
A02-1	194683-7	GREASE VESSEL SET	O	1	*	
A02-2	198993-4	GREASE VESSEL SET	<	1		
A03	443122-7	CLOTH		1		
A04	824908-2	PLASTIC CASE		1	*	
C10	162271-8	LATCH		2	*	
C20	325637-5	SHAFT		1	*	
C30	450990-1	HANDLE		1	*	
A04-1	824876-9	PLASTIC CARRYING CASE	O	1		

C10	162271-8	LATCH		2			
C20	325637-5	SHAFT		1			
C30	450990-1	HANDLE		1			
A05	809280-3	HM1213C PLASTIC CASE LABEL		2	*		
A05-1	801Y53-0	HM1213C PLASTIC CASE LABEL	<	2			
B01	195114-9	HAMMER SERVICE KIT		1			
C10	181490-7	HAMMER GREASE 30G		2			
D10		INC. 1,21,23,25-27,30,33,38,					
D20		INC. 40,85					
E03	801092-0	SOUND 101DB LABEL		1			
F03-1	199143-4	DUST EXTRACTOR ATT SET(EU)	<	1			
F04-1	199143-4	DUST EXTRACTOR ATT SET(EU)	<	1			
F06-1	199144-2	DUST EXTRACTOR ATT SET(EU)	<	1			
C10	417765-1	FRONT CUFF 22		1			
C20	417766-9	FRONT CUFF 38		1			
C30	415021-3	HOSE JOINT		1			
F07-1	199144-2	DUST EXTRACTOR ATT SET(EU)	<	1			
C10	417765-1	FRONT CUFF 22		1			
C20	417766-9	FRONT CUFF 38		1			
C30	415021-3	HOSE JOINT		1			

Please state Parts No. when your order.

Print Date 01/29/2024