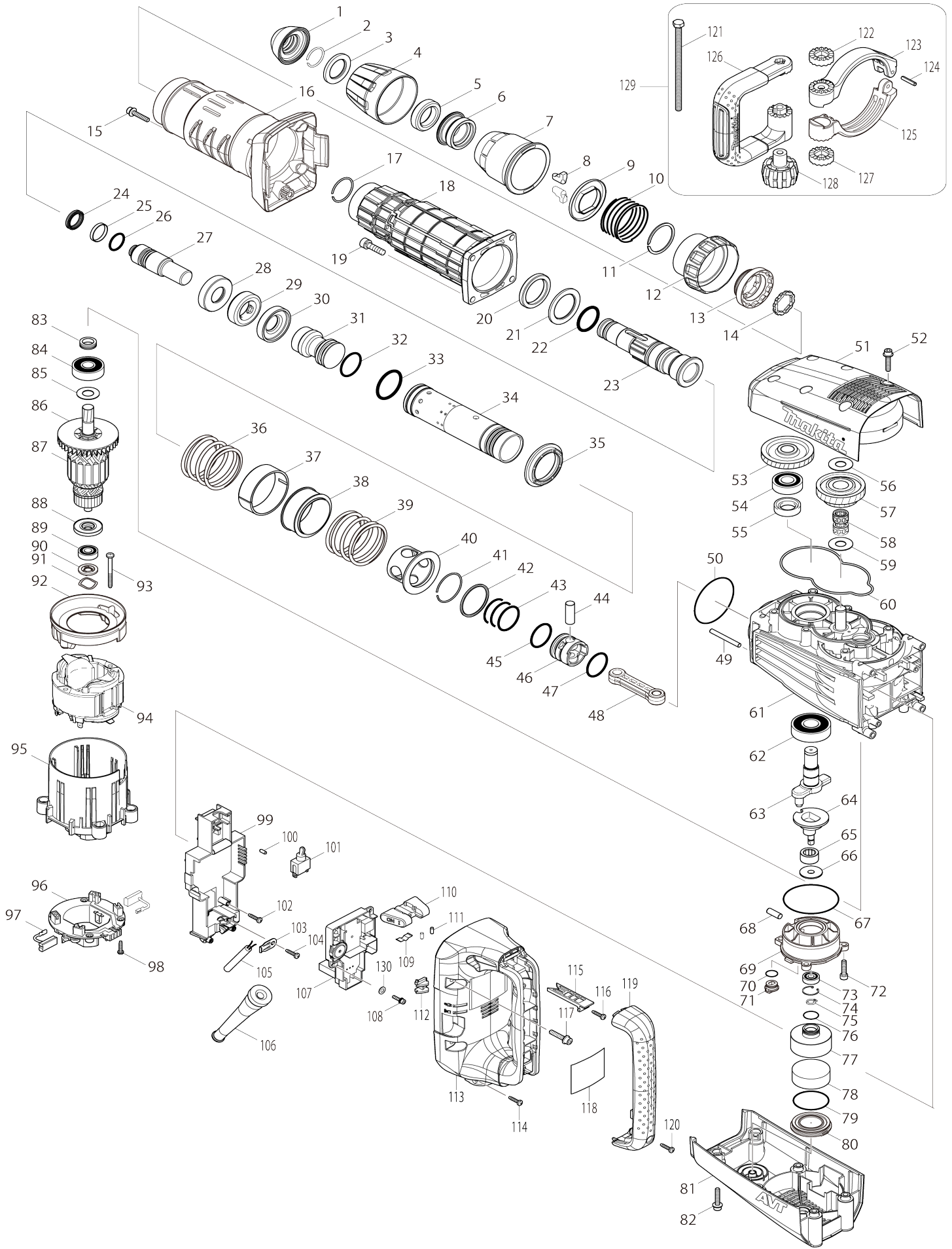


Model No.HM1214C DEMOLITION HAMMER



Model No.HM1214C DEMOLITION HAMMER

Item No.	Parts No.	Description	Interchangability	Q'ty	New/Old	Note1	Note2
001	424165-8	TOOL HOLDER CAP		1			
002	233973-4	RING SPRING 26		1			
003	267386-7	FLAT WASHER 30		1			
004	450894-7	CHUCK COVER		1			
005	262147-0	RUBBER RING 30		1			
006	324987-5	CHUCK RING		1			
007	450895-5	RELEASE COVER		1			
008	310279-8	TOOL RETAINER		2			
009	346015-6	SPRING GUIDE		1			
010	234086-4	COMPRESSION SPRING 56		1			
011	961232-3	RETAINING RING WR-45		1			
012	450893-9	CHANGE RING COVER		1			
013	324969-7	CHANGE RING		1			
014	324988-3	LOCK RING		1			
015	266499-1	H.S HEAD BOLT M6X30 WITH GM		1			
016	451113-4	BARREL COVER		1			
017	233970-0	RING SPRING 35		1			
018	158984-7	BARREL COMPLETE		1	*		
018-1	141786-8	BARREL COMPLETE	<	1			
019	266010-9	HEX. SOCKET HEAD BOLT M8X30		4			
020	262148-8	RUBBER RING 39		1			
021	267387-5	FLAT WASHER 39		1			
022	213079-4	O-RING 35.5		1			
023	324985-9	TOOL HOLDER		1			
024	213980-3	X-RING 21		1			
025	213431-6	FLUORIDE RING 28		1			
026	213394-6	O RING 23		1			
027	325681-2	IMPACT BOLT		1			
028	324993-0	SHOULDER SLEEVE		1			
029	262149-6	RUBBER RING 24		1			
030	324993-0	SHOULDER SLEEVE		1			
031	325680-4	STRIKER		1			
032	213499-2	O-RING 31.5		1			
033	213581-7	O-RING 44		1			
034	331856-3	CYLINDER 40		1			
035	451110-0	CYLINDER GUIDE		1			
036	234107-2	COMPRESSION SPRING 58		1			
037	451103-7	WEIGHT GUIDE		1			
038	331854-7	COUNTER WEIGHT		1			
039	234107-2	COMPRESSION SPRING 58		1			
040	325661-8	SLIDE SLEEVE		1			
041	231985-1	RING SPRING 43		1			
042	257297-4	RING 45		1			
043	213510-0	O RING 36		3			
044	268121-6	PIN 12		1			
045	213499-2	O-RING 31.5		1			
046	450961-8	PISTON		1			

047	213149-9	O RING 35		1		
048	450890-5	CONNECTING ROD		1		
049	268235-1	PIN 6		1		
050	213754-2	O RING 71		1		
051	451115-0	GEAR COVER		1		
052	266499-1	H.S HEAD BOLT M6X30 WITH GM		6		
053	226699-5	HELICAL GEAR 52		1		
054	211256-2	BALL BEARING 6203LLB		1	*	
054-1	211290-2	BALL BEARING 6203ZZ	O	1	*	
054-2	211256-2	BALL BEARING 6203LLB	S	1		
055	213313-2	OIL SEAL 20		1	*	
056	267166-1	FLAT WASHER 14		1		
057	226155-5	GEAR COMPLETE 34-48		1		
058	212159-3	NEEDLE CAGE 1412		2		
059	267166-1	FLAT WASHER 14		1		
060	424196-7	SEAL RING		1		
061	158983-9	CRANK HOUSING COMPLETE		1		
062	211327-5	BALL BEARING 6304LLU		1		
063	325659-5	CRANK SHAFT		1		
064	325660-0	COUNTER SHAFT		1		
065	212225-6	NEEDLE BEARING 1613		1		
066	325662-6	SHOULDER WASHER 8		1		
067	213754-2	O RING 71		1		
068	268222-0	PIN 8		1		
069	158985-5	BEARING BOX COMPLETE		1		
070	213176-6	O RING 14		1		
071	451104-5	GREASE CAP		1		
072	266087-4	HEX.BOLT M6X25		3		
073	211032-4	BALL BEARING 608ZZ		1	*	
073-1	210223-4	BALL BEARING 608ZZ	O	1		
074	962112-6	RETAINING RING R-22		1		
075	961004-6	RETAINING RING (EXT) S-8		1		
076	213262-3	O RING 18		1		
077	451108-7	FILTER CASE		1		
078	443147-1	FILTER		1		
079	213569-7	O RING 45		1		
080	451109-5	FILTER CASE COVER		1		
081	451116-8	REAR COVER		1		
082	266499-1	H.S HEAD BOLT M6X30 WITH GM		6		
083	331855-5	SEALING SCREW		1		
084	211249-9	BALL BEARING 6302LLU		1		
085	267397-2	FLAT WASHER 15		1		
086	240003-4	FAN 80		1		
087	517838-1	ARMATURE ASSEMBLY 220-240V		1		
D10		INC. 84-86,88,89				
088	681642-5	INSULATION WASHER		1		
089	210059-1	BALL BEARING 6000DDW		1		
090	451107-9	WASHER GUIDE		1		
091	267809-5	WAVE WASHER 19		1		
092	451111-8	BAFFLE PLATE		1		
093	266095-5	TAPPING SCREW 5X55		2		
094	636303-2	FIELD 220-240V		1		

095	451117-6	MOTOR HOUSING		1			
096	638447-4	BRUSH HOLDER UNIT		1	*		
096-1	632D00-2	BRUSH HOLDER UNIT	<	1			
097	194412-8	CARBON BRUSH CB-171		1	*		
097-1	195844-2	CARBON BRUSH CB-175	O	1			
098	265995-6	TAPPING SCREW 4X18		4			
099	158986-3	CONTROLLER COVER COMPLETE		1	*		
099-1	158986-3	CONTROLLER COVER COMPLETE	S	1			
100	263027-3	RUBBER PIN 4		1			
101	651423-1	SWITCH		1	*		
101-1	651423-1	SWITCH	O	1			
102	265995-6	TAPPING SCREW 4X18		2			
103	687169-3	STRAIN RELIEF		1			
104	265995-6	TAPPING SCREW 4X18		1			
105	695123-3	POWER SUPPLY CORD 1.5-2-4.0		1			
106	682560-0	CORD GUARD 10		1			
107	631883-3	CONTROLLER		1	*		
107-1	631883-3	CONTROLLER	S	1	*		
107-2	620226-4	CONTROLLER	S	1			
108	265490-6	HEX. SOCKET HEAD BOLT M4X16		2	*		
108-1	266834-3	H.S.H.BOLT M4X18 WITH GM	S	2			
109	232209-8	LEAF SPRING		1			
110	451112-6	SLIDE LEVER		1			
111	263027-3	RUBBER PIN 4		2			
112	451105-3	LENS		1			
113	451118-4	HANDLE		1			
114	265995-6	TAPPING SCREW 4X18		1			
115	451106-1	SWITCH LEVER		1			
116	265995-6	TAPPING SCREW 4X18		1			
117	266499-1	H.S HEAD BOLT M6X30 WITH GM		4			
118	866749-0	HM1214C NAME PLATE		1	*		
118-1	858522-6	HM1214C NAME PLATE	O	1			
119	451119-2	HANDLE COVER		1			
120	265995-6	TAPPING SCREW 4X18		2			
121	265439-6	HEX. BOLT M8X150		1			
122	417002-3	SIDE HANDLE CAM		1			
123	318430-4	SIDE HANDLE BASE 90A		1			
124	951166-8	SPRING PIN 5-24		1			
125	318431-2	SIDE HANDLE BASE 90B		1			
126	417003-1	SIDE HANDLE		1			
127	417002-3	SIDE HANDLE CAM		1			
128	252640-2	WING NUT M8		1			
129	135283-4	SIDE HANDLE 90 ASSEMBLY		1			
D10		INC. 121-128					
130	941051-3	FLAT WASHER 4		2	*		
130-1	346546-5	PLATE	X	2	*		
131	442180-0	BOTH SIDE ADHESIVE TAPE	S	1	*		
132	126096-4	CONTROLLER ASSEMBLY		1	*		
D10		INC. 99,102,107,131					
132-1	141804-2	CONTROLLER ASSEMBLY	<	1	*		
D10		INC. 99,102,107,131					

A01	A-80787	BULL POINT 280 SDS-MAX		1	*		
A01-1	D-34176	BULL POINT FOR SDS-MAX 300	O	1			
A02	194659-4	GREASE VESSEL SET		1	*		
A02-1	194683-7	GREASE VESSEL SET	O	1	*		
A02-2	198993-4	GREASE VESSEL SET	<	1			
A03	443122-7	CLOTH		1			
A04	824882-4	PLASTIC CARRYING CASE		1			
C10	162271-8	LATCH		2			
A05	809301-1	HM1214C PLASTIC CASE LABEL		2			
B01	195114-9	HAMMER SERVICE KIT		1			
C10	181490-7	HAMMER GREASE 30G		2			
D10		INC. 1,20,22,24-26,29,32,45,					
D20		INC. 47,97					
E03	801092-0	SOUND 101DB LABEL		1			
F03-1	199143-4	DUST EXTRACTOR ATT SET(EU)	<	1			
F04-1	199143-4	DUST EXTRACTOR ATT SET(EU)	<	1			
F06-1	199144-2	DUST EXTRACTOR ATT SET(EU)	<	1			
C10	417765-1	FRONT CUFF 22		1			
C20	417766-9	FRONT CUFF 38		1			
C30	415021-3	HOSE JOINT		1			
F07-1	199144-2	DUST EXTRACTOR ATT SET(EU)	<	1			
C10	417765-1	FRONT CUFF 22		1			
C20	417766-9	FRONT CUFF 38		1			
C30	415021-3	HOSE JOINT		1			

Please state Parts No. when your order.

Print Date 23.10.2023