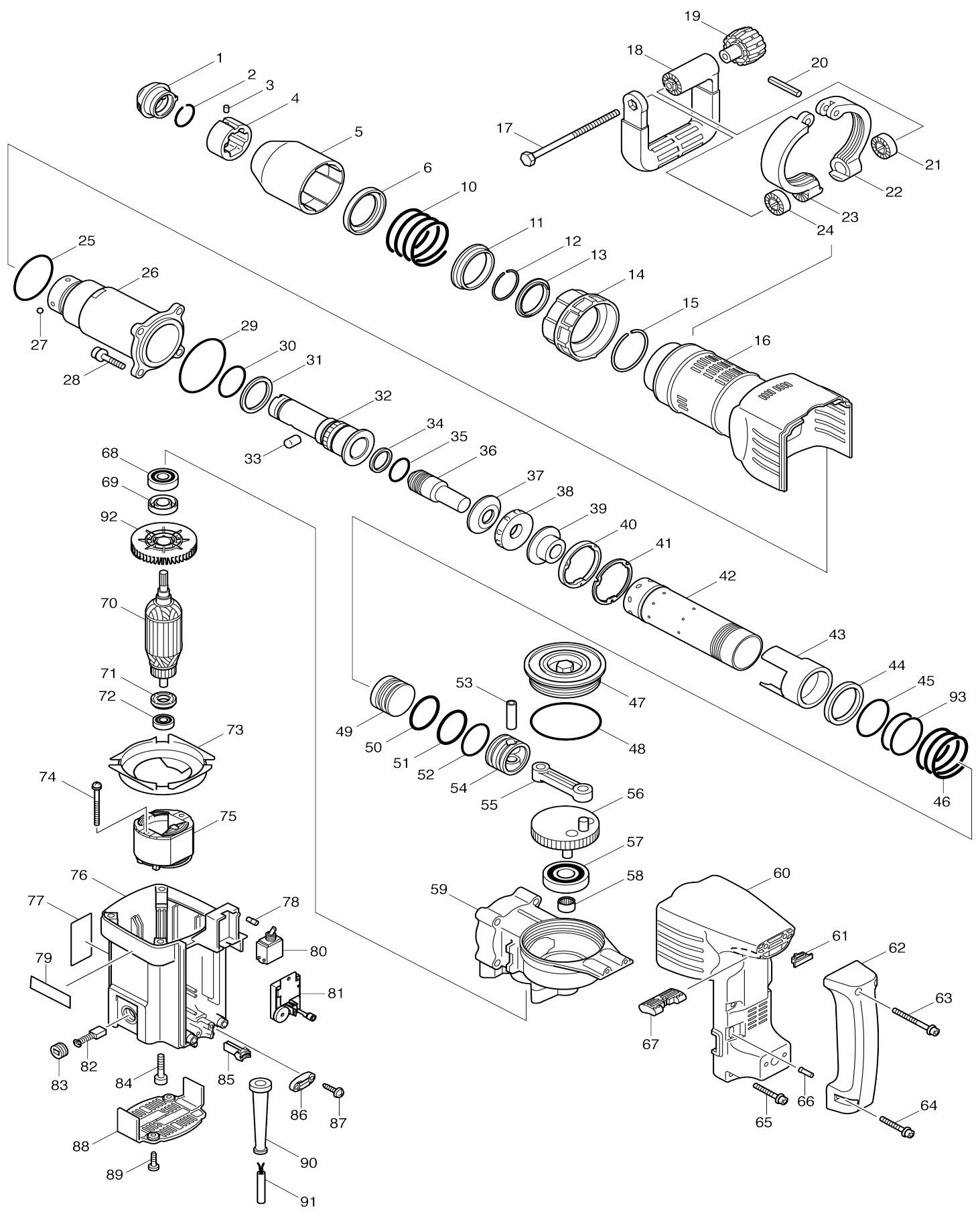


# Model No.HM1242C DEMOLITION HAMMER



Model No.HM1242C DEMOLITION HAMMER

Item No.	Parts No.	Description	Interchangability	Q'ty	New/Old	Note1	Note2
001	286252-9	TOOL HOLDER CAP		1			
002	231998-2	RING SPRING 29		1			
003	256156-9	PIN 6		1			
004	323960-2	ROLLER GUIDE		1			
005	417127-3	TOOL HOLDER COVER		1			
006	267735-8	CUP WASHER 45		1			
010	233218-0	COMPRESSION SPRING 55		1			
011	323876-1	STEEL BALL GUIDE		1	*		
011-1	324131-4	STEEL BALL GUIDE	X	1			
012	231988-5	RING SPRING 34		1			
013	267197-0	FLAT WASHER 37		1	*		
013-1	267197-0	FLAT WASHER 37	O	1			
014	416934-1	CHANGE RING		1			
015	231989-3	RING SPRING 46		1			
016	416938-3	HOUSING COVER		1			
017	265439-6	HEX. BOLT M8X150		1			
018	417003-1	SIDE HANDLE		1			
019	252640-2	WING NUT M8		1			
020	951166-8	SPRING PIN 5-24		1			
021	417002-3	SIDE HANDLE CAM		1			
022	317223-6	SIDE HANDLE BASE 82A		1	*		
022-1	318505-9	SIDE HANDLE BASE 82A	O	1			
023	317224-4	SIDE HANDLE BASE 82B		1	*		
023-1	318506-7	SIDE HANDLE BASE 82B	O	1			
024	417002-3	SIDE HANDLE CAM		1			
025	213670-8	O RING 58		1			
026	310087-7	BARREL		1			
027	216011-7	STEEL BALL 5.6		4			
028	922451-6	HEX. SOCKET HEAD BOLT M8X30		4			
029	213720-9	O RING 67		1			
030	213508-7	O RING 38		1	*		
030-1	213510-0	O RING 36	O	1			
031	262083-0	URETHANE RING 43		1	*		
031-1	262095-3	URETHANE RING 41	X	1			
032	323961-0	TOOL HOLDER		1	*		
032-1	323961-0	TOOL HOLDER	O	1			
033	323860-6	ROLLER 12		1			
034	213431-6	FLUORIDE RING 28		2			
035	213394-6	O RING 23		2			
036	323908-4	IMPACT BOLT		1			
037	323909-2	IMPACT BOLT GUIDE		1			
038	421691-8	RUBBER RING 25		1			
039	323875-3	COLLARED SLEEVE 24		1			
040	416927-8	GUIDE RING		1	*		
040-1	417600-3	GUIDE RING	X	1			
041	344790-8	FLAT WASHER 49		1	*		
041-1	344998-4	FLAT WASHER 49	X	1			

042	331554-9	CYLINDER LINER 44		1	*		
042-1	331608-2	CYLINDER LINER 44	X	1			
043	416928-6	SLIDE SLEEVE 49		1			
044	257224-1	RING 49		1			
045	213508-7	O RING 38		1			
046	233246-5	COMPRESSION SPRING 50		1			
047	416935-9	CRANK CAP		1			
048	213806-9	O RING 90		1			
049	323910-7	STRIKER		1			
050	213485-3	O RING 34		1			
051	213485-3	O RING 34		1			
052	213523-1	O RING 36		1			
053	257693-6	SLEEVE 9		1			
054	416929-4	PISTON		1			
055	416930-9	ROD		1			
056	323877-9	CRANK SHAFT		1			
057	211327-5	BALL BEARING 6304LLU		1			
058	212113-7	NEEDLE BEARING 1212		1			
059	317225-2	CRANK HOUSING		1	*		
059-1	318102-1	CRANK HOUSING	<	1			
060	416940-6	CONTROLLER COVER		1			
061	415692-6	STOPPER		1			
062	421507-7	HANDLE		1			
063	922361-7	HEX. SOCKET HEAD BOLT M6X40		2			
064	922353-6	HEX.SOCKET HEAD BOLT M6X30		2			
065	922353-6	HEX.SOCKET HEAD BOLT M6X30		4			
066	416932-5	ACRYLIC PIN 5		2			
067	416931-7	SWITCH LEVER		1			
068	211235-0	BALL BEARING 6202DDW		1	*		
068-1	211228-7	BALL BEARING 6202DDW	O	1	*		
068-2	211238-4	BALL BEARING 6202LLU	X	1			
069	213273-8	OIL SEAL 17		1			
070	516803-7	ARMATURE ASS'Y 220/240V		1			
D10		INC. 71,72,92					
071	681642-5	INSULATION WASHER		1			
072	211088-7	BALL BEARING 6000DDW		1			
073	416936-7	BAFFLE PLATE		1			
074	266095-5	TAPPING SCREW 5X55		2			
075	526093-4	FIELD ASS'Y 220/240V		1			
C10	654020-2	RING TERMINAL		2			
C20	654502-4	CONNECTOR P-2		2			
076	151795-9	MOTOR HOUSING COMPLETE		1	*		
C10	643653-8	BRUSH HOLDER 6.5-13.5		1	*		
C20	643661-9	BRUSH HOLDER		1	*		
C30	632924-8	LEAD WIRE UNIT		1	*		
076-1	158581-9	MOTOR HOUSING COMPLETE	S	1			
C10	643653-8	BRUSH HOLDER 6.5-13.5		1			
C20	643661-9	BRUSH HOLDER		1			
C30	632924-8	LEAD WIRE UNIT		1			
077	852090-7	NAME PLATE HM1242C		1			
078	263002-9	RUBBER PIN 4		1			
079	819064-1	MAKITA MARK		2			

080	651481-7	SWITCH STE215K		1			
081	631273-0	CONTROLLER		1			
082	181048-2	A.C. CARBON BRUSH CB-155		1	*		
082-1	194987-7	CARBON BRUSH SET CB-155	O	1			
083	643650-4	BRUSH HOLDER CAP 6.5-13.5		2	*		
083-1	643650-4	BRUSH HOLDER CAP 6.5-13.5	O	2			
084	922364-1	HEX. SOCKET HEAD BOLT M6X40		4			
085	415695-0	FIX ROD		1			
086	687053-2	STRAIN RELIEF		1			
087	265995-6	TAPPING SCREW 4X18		2			
088	416937-5	REAR COVER		1			
089	265995-6	TAPPING SCREW 4X18		2			
090	682560-0	CORD GUARD 10		1			
091	695123-3	POWER SUPPLY CORD 1.5-2-4.0		1			
092	241908-1	FAN 80		1			
093	213508-7	O RING 38		2			
094	421914-4	CONTROLLER PROTECTOR		1			
095	267809-5	WAVE WASHER 19		1			
A01	181573-3	GREASE VESSEL 93G		1	*		
A01-1	181573-3	GREASE VESSEL 93G	O	1	*		
A01-2	194683-7	GREASE VESSEL SET	O	1			
A02	824564-8	PLASTIC CARRYING CASE		1			
C10	416401-6	LATCH		2	*		
C11	163467-4	LATCH	X	2			
C20	819145-1	MAKITA LOGO LABEL		1			
B01	134885-3	SIDE HANDLE ASS'Y		1	*		
D10		INC. 17-24					
B01-1	135269-8	SIDE HANDLE 82 ASS'Y	O	1			
D10		INC. 17-24					

Please state Parts No. when your order.

Print Date 18/09/2023