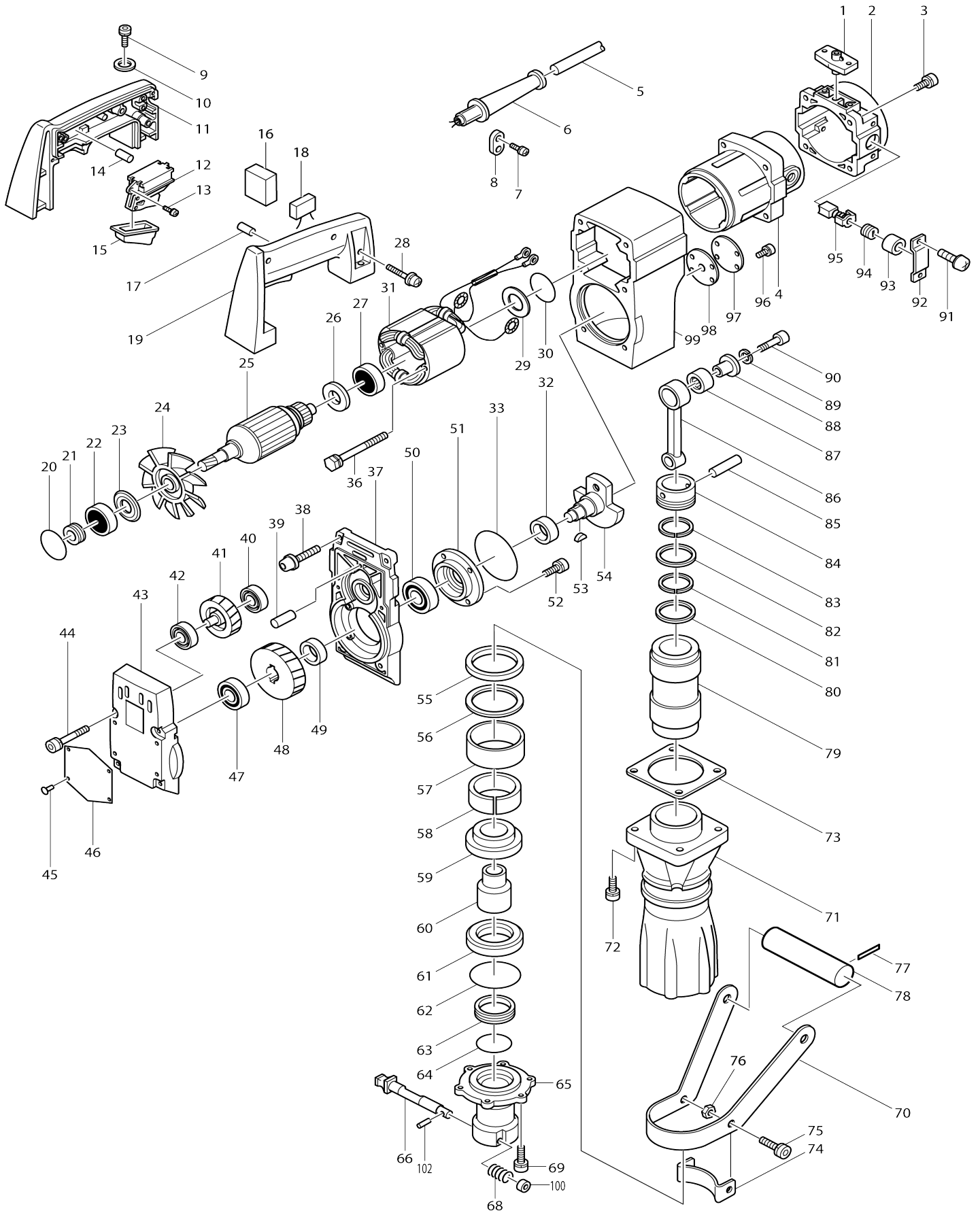


# Model No.HM1300 DEMOLITION HAMMER



# Model No.HM1300 DEMOLITION HAMMER

Item No.	Parts No.	Description	Interchangability	Q'ty	New/Old	Note1	Note2
001	410725-2	HANDLE BASE		1			
002-1	316392-0	REAR CASE		1			
003	922356-0	HEX. SOCKET HEAD BOLT M6X35		4			
004-3	159421-4	MOTOR HOUSING		1			
C10	643659-6	BRUSH HOLDER		2			
C30	414964-6	RING		2			
005H_	665527-3	POWER SUPPLY CORD 1.00-2-5.0		1			
006	682505-8	CORD GUARD 10-90		1			
007-1	911133-5	PAN HEAD SCREW M4X18		2			
008A_	687001-1	STRAIN RELIEF		1			
009	922356-0	HEX. SOCKET HEAD BOLT M6X35		4			
010	941152-7	FLAT WASHER 6		4			
011	181702-8	HANDLE SET		1			
D10		INC. 14,17,19					
012-1	651145-3	SWITCH C3D-H-MS		1			
013	911129-6	PAN HEAD SCREW M4X16		1			
014	263002-9	RUBBER PIN 4		1			
015	421265-5	DUST COVER		1			
016-1	685725-3	SPONGE SHEET		1			
017	263002-9	RUBBER PIN 4		1			
018-1	645105-5	NOISE SUPPRESSOR		1			
019	181702-8	HANDLE SET		1			
D10		INC. 11,14,17					
020	213469-1	O RING 35		1			
021	331271-1	SEAL		1			
022	211206-7	BALL BEARING 6202LLB		1			
023	213202-1	DUST SEAL 15		1			
024	241648-1	FAN 104		1			
025C_	513403-4	ARMATURE ASS'Y 220V		1			
D10		INC. 22-24,26,27					
026	681624-7	INSULATION WASHER		1	*		
026-1	681635-2	INSULATION WASHER	O	1			
027	211066-7	BALL BEARING 6200LLB		1			
028	911243-8	PAN HEAD SCREW M5X25		3			
029	253794-8	FLAT WASHER 18		1			
030	213406-5	O RING 30		1			
031C1	520032-6	FIELD ASS'Y 220V		1			
C10	654084-6	RING TERMINAL		2			
C20	654503-2	CONNECTOR P-5.5		2			
C30	684021-6	TUBE 5-20		2			
032	213408-1	OIL SEAL 30		1			
033	213806-9	O RING 90		1			
036-1	265341-3	+ HEX. BOLT M5X75		2			
037	157633-3	GEAR HOUSING		1			
D10		INC. 20					
038	922341-3	HEX. SOCKET HEAD BOLT M6X25		2			
039	256111-1	PIN 6		1			

040-1	211109-5	BALL BEARING 6201		1		
041	221740-9	HELICAL GEAR 43		1		
042-1	211109-5	BALL BEARING 6201		1		
043	157634-1	GEAR HOUSING COVER		1		
C10	812160-4	INDICATION LABEL		1		
044	922381-1	HEX. SOCKET HEAD BOLT M6X60		4		
045	953106-2	RIVET 0-5		4		
046	855559-0	NAME PLATE HM1300		1		
047-1	211214-8	BALL BEARING 6302		1		
048	221739-4	HELICAL GEAR 68		1		
049	257111-4	RING 25		1		
050-1	211359-2	BALL BEARING 6205		1		
051	315782-4	BEARING BOX		1		
052-1	266009-4	HEX. SOCKET HEAD BOLT M8X18		4		
053	254001-2	WOODRUFF KEY 4		2		
054	321829-4	CRANK SHAFT		1		
055	262035-1	NYLON RING 60		1		
056	267006-3	FLAT WASHER 60		1		
057	421291-4	RUBBER RING 68		1		
058	331300-0	IDLER		1		
059-1	322234-8	RING HOLDER		1		
060-1	322233-0	IMPACT BOLT		1		
061	421292-2	URETHAN RING 44		1		
062	213707-1	O RING 65		1		
063-1	213517-6	X RING 40		1		
064	213504-5	O RING 40		1		
065-1	322168-5	TOOL HOLDER 30		1		
066-2	322567-1	TOOL RETAINER		1		
068-1	231281-7	COMPRESSION SPRING 15		1		
069-1	266010-9	HEX. SOCKET HEAD BOLT M8X30		6		
070	342855-0	SIDE HANDLE		1		
071	315780-8	CYLINDER		1		
072-1	266011-7	HEX. SOCKET HEAD BOLT M8X35		4		
073	442085-4	CYLINDER PACKING		1		
074	342852-6	SIDE HANDLE PLATE		1		
075	922441-9	HEX. SOCKET HEAD BOLT M8X25		2		
076	252005-8	HEX. NUT M8-13		2		
077-1	952257-8	SPLIT PIN 3.0-20		2		
078-2	273492-8	GRIP 38		1		
079-1	322235-6	HAMMER		1		
080	412067-0	PISTON RING 46		1		
081	342853-4	INNER RING 42		1		
082	412067-0	PISTON RING 46		1		
083	342853-4	INNER RING 42		1		
084	321824-4	PISTON		1		
085-1	256202-8	PIN 10		1		
086	321826-0	CONNECTING ROD		1		
087	212260-4	NEEDLE BEARING 1716		1		
088	321825-2	CRANK SLEEVE		1		
089	942251-8	SPRING WASHER 10		1		
090	922557-0	HEX. SOCKET HEAD BOLT M10X35		1		

091	911206-4	PAN HEAD SCREW M5X10		4		
092	342998-8	HOLDER CAP PLATE		2		
093-1	262049-0	RUBBER RING 6		2		
094	643650-4	BRUSH HOLDER CAP 6.5-13.5		2	*	
094-1	643650-4	BRUSH HOLDER CAP 6.5-13.5	O	2		
095-2	181048-2	A.C. CARBON BRUSH CB-155		1	*	
095-3	194987-7	CARBON BRUSH SET CB-155	O	1		
096	911211-1	PAN HEAD SCREW M5X12		4		
097	341397-1	PLATE 50		1		
098	442009-0	PACKING 50		1		
099	157635-9	CRANK HOUSING		1		
C10	817661-7	CAUTION LABEL		1		
100-2	322560-5	RETAINER RING		1	*	
100-3	322699-4	RETAINER RING	X	1		
102	256219-1	PIN 4		1		
402	798029-5	BULL POINT 30-410		1	*	
402-1	D-15285	BULL POINT 400	O	1		
403	181911-9	STEEL CARRYING CASE		1		

Please state Parts No. when your order.

Print Date 23.10.2023