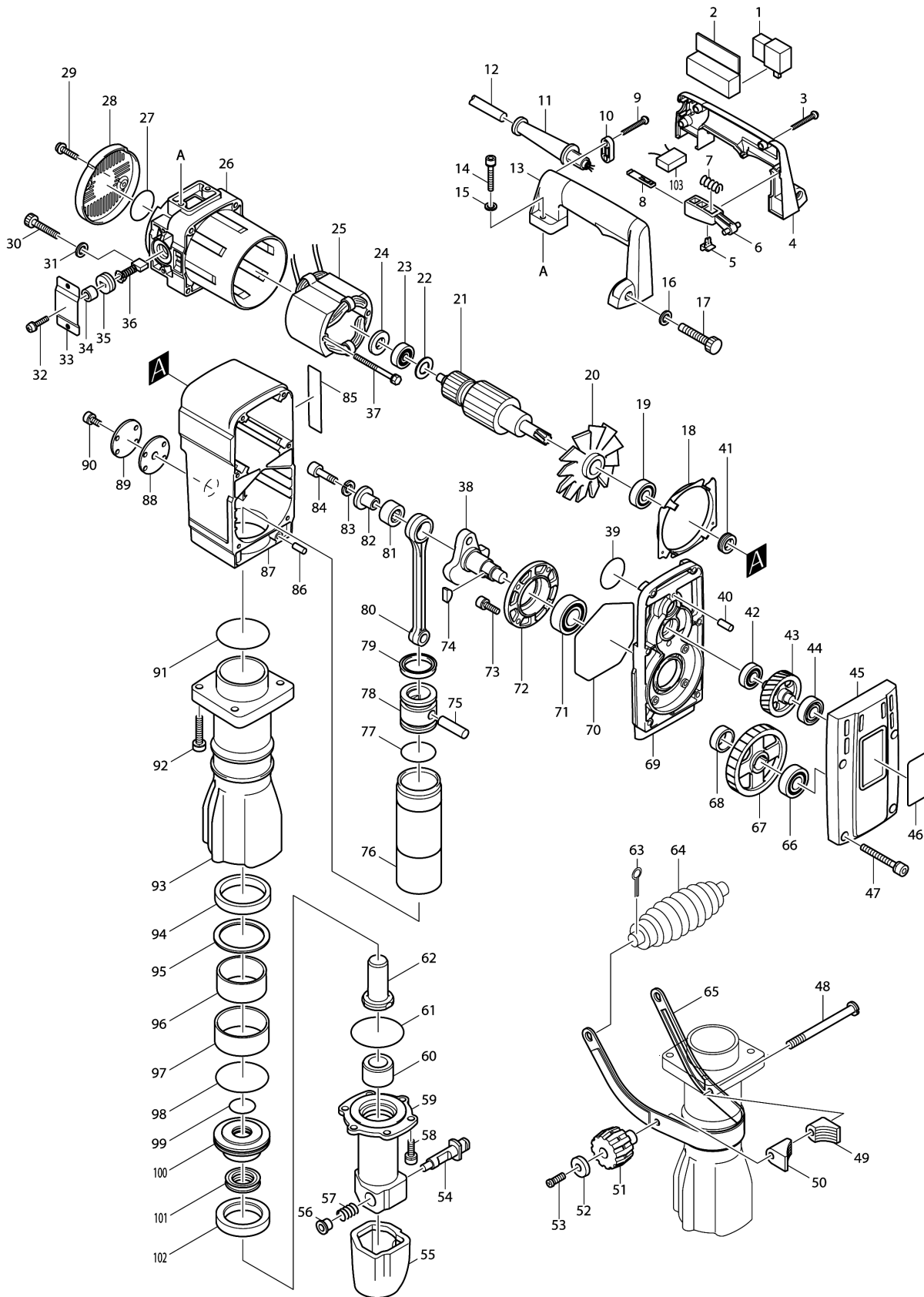


Model No.HM1303 DEMOLITION HAMMER



Model No.HM1303 DEMOLITION HAMMER

Item	Parts No.	Description	I/C	Qty	New/Old	Opt. 1	Opt. 2	Note
001	651922-3	SWITCH TG71B		1				
002	421529-7	SWITCH BOX		1				
003	265995-6	TAPPING SCREW 4X18		3				
004	182844-1	HANDLE SET		1				
D10		INC. 13						
005	415805-9	LOCK BUTTON		1				
006	415120-1	SWITCH LEVER		1				
007	231457-6	COMPRESSION SPRING 3		1				
008	415806-7	LOCK PLATE		1				
009	265995-6	TAPPING SCREW 4X18		2				
010A_	687063-9	CORD CLAMP		1	*			
010A1	687052-4	STRAIN RELIEF	X	1				
011B_	682540-6	CORD GUARD 9.3-90		1	*			
011B1	682568-4	CORD GUARD 10	<	1				
012L_	665883-1	POWER SUPPLY CORD 1.0-2-5.0		1				
013	182844-1	HANDLE SET		1				
D10		INC. 4						
014	922361-7	HEX. SOCKET HEAD BOLT M6X40		2				
015	941152-7	FLAT WASHER 6		2				
016	941152-7	FLAT WASHER 6		2				
017	922376-4	HEX. SOCKET HEAD BOLT M6X55		2				
018	344273-8	BAFFLE PLATE		1				
019	211228-7	BALL BEARING 6202DDW		1				
020	241128-7	FAN 92		1				
021B_	516703-1	ARMATURE ASS'Y 220V		1				
D10		INC. 19,20,22,23						
022	681635-2	INSULATION WASHER		1				
023	211087-9	BALL BEARING 6200DDW		1				
024	253794-8	FLAT WASHER 18		1				
025B_	626043-0	FIELD 220V		1				
026	159904-4	MOTOR HOUSING COMPLETE		1				
C10	414665-6	FIX RING		2				
C20	643931-6	BRUSH HOLDER		2	*			
C21	643711-0	BRUSH HOLDER	X	2				
D10		INC. 27						
027	213406-5	O RING 30		1				
028	284069-4	REAR COVER		1				
029	266021-4	TAPPING SCREW 5X20		2				
030	922376-4	HEX. SOCKET HEAD BOLT M6X55		4				
031	941151-9	FLAT WASHER 6		4				
032	911221-8	PAN HEAD SCREW M5X16		4				
033	344384-9	HOLDER CAP PLATE		2				
034	262049-0	RUBBER RING 6		2				
035	643700-5	BRUSH HOLDER CAP 7-18		2				

Please order the parts with part number.

Print Date 23/10/2023

Model No.HM1303 DEMOLITION HAMMER

Item	Parts No.	Description	I/C	Qty	New/Old	Opt. 1	Opt. 2	Note
036	191957-7	A.C. CARBON BRUSH CB-204		1	*			
036-1	194992-4	CARBON BRUSH SET CB-204	O	1				
037	265428-1	+ HEX. BOLT M5X65		2				
038	322894-6	CRANKSHAFT		1				
039	213460-9	O RING 35		1				
040	256111-1	PIN 6		1				
041	331212-7	SEAL		1				
042	211104-5	BALL BEARING 6001		1				
043	226449-8	HELICAL GEAR 34		1				
044	211109-5	BALL BEARING 6201		1				
045	316732-2	GEAR HOUSING COVER		1				
046	858309-2	NAME PLATE		1				
047	922371-4	HEX. SOCKET HEAD BOLT M6X50		4	*			
047-1	266304-2	HEX. SOCKET HEAD BOLT M6X50	<	4				
048	266140-6	SET BOLT M10X113		1				
049	416228-4	HANDLE BASE		1				
050	416228-4	HANDLE BASE		1				
051	252633-9	WING NUT M10		1				
052	253194-2	FLAT WASHER 5		1				
053	922221-3	HEX. SOCKET HEAD BOLT M5X16		1				
054	322831-0	TOOL RETAINER		1	*			
054-1	322986-1	TOOL RETAINER	S	1				
055	421567-9	DUST COVER		1				
056	322832-8	RETAINER SLEEVE		1	*			
056-1	322987-9	RETAINER SLEEVE	O	1				
057	233142-7	COMPRESSION SPRING 14		1				
058	266010-9	HEX. SOCKET HEAD BOLT M8X30		6				
059	322875-0	TOOL HOLDER		1				
060	322874-2	GUIDE SLEEVE		1				
061	213707-1	O RING 65		1				
062	322873-4	IMPACT BOLT		1				
063	952257-8	SPLIT PIN 3.0-20		2				
064	273492-8	GRIP 38		1				
065	344390-4	SIDE HANDLE		1	*			
065-1	345233-3	SIDE HANDLE	<	1				
066	211214-8	BALL BEARING 6302		1				
067	226450-3	HELICAL GEAR 57		1				
068	257196-0	RING 25		1				
069	159806-4	GEAR HOUSING COMPLETE		1				
D10		INC. 39						
070	213908-1	O RING 112		1	*			
070-1	421731-2	SEAL RING	O	1				
071	211373-8	BALL BEARING 6205LLU		1				
072	316730-6	BEARING BOX		1				

Please order the parts with part number.

Print Date 23/10/2023

Model No.HM1303 DEMOLITION HAMMER

Item	Parts No.	Description	I/C	Qty	New/Old	Opt. 1	Opt. 2	Note
073	265366-7	HEX. SOCKET HEAD BOLT M6X22		4				
074	254001-2	WOODRUFF KEY 4		2				
075	256238-7	PIN 12		1				
076	322919-6	HAMMER		1				
077	213519-2	O RING 36		1				
078	322871-8	PISTON		1				
079	213520-7	Y RING 36		1				
080	322812-4	CONNECTING ROD		1				
081	212260-4	NEEDLE BEARING 1716		1				
082	321825-2	CRANK SLEEVE		1				
083	942251-8	SPRING WASHER 10		1				
084	922557-0	HEX. SOCKET HEAD BOLT M10X35		1				
085	819084-5	MAKITA LABEL		1				
086	256111-1	PIN 6		1				
087	159905-2	CRANK HOUSING COMPLETE		1	*			
C10	810711-7	CAUTION LABEL		1	*			
087-1	316832-8	CRANK HOUSING	O	1				
088	442009-0	PACKING 50		1				
089	341397-1	PLATE 50		1				
090	911211-1	PAN HEAD SCREW M5X12		4				
091	213707-1	O RING 65		1				
092	265367-5	HEX. SOCKET HEAD BOLT M8X40		4				
093	316831-0	BARREL		1				
094	262068-6	URETHANE RING 59		1				
095	267146-7	FLAT WASHER 58		1				
096	322815-8	IDLER		1				
097	262536-9	RUBBER SLEEVE 64		1				
098	213707-1	O RING 65		1				
099	213390-4	O RING 25		1				
100	322872-6	SEAL HOLDER		1				
101	213383-1	X RING 25		1				
102	262072-5	URETHANE RING 49		1				
103	645105-5	NOISE SUPPRESSOR		1				
A01	798029-5	BULL POINT 30-410		1	*			
A02	182851-4	STEEL CARRYING CASE		1	*			
A02-1	182851-4	STEEL CARRYING CASE	O	1				
B01	134924-9	SIDE HANDLE ASS'Y		1	*			
D10		INC. 48-53,63-65			*			
B01-1	134949-3	SIDE HANDLE ASS'Y	<	1				
D10		INC. 48-53,63-65						

Please order the parts with part number.

Print Date 23/10/2023