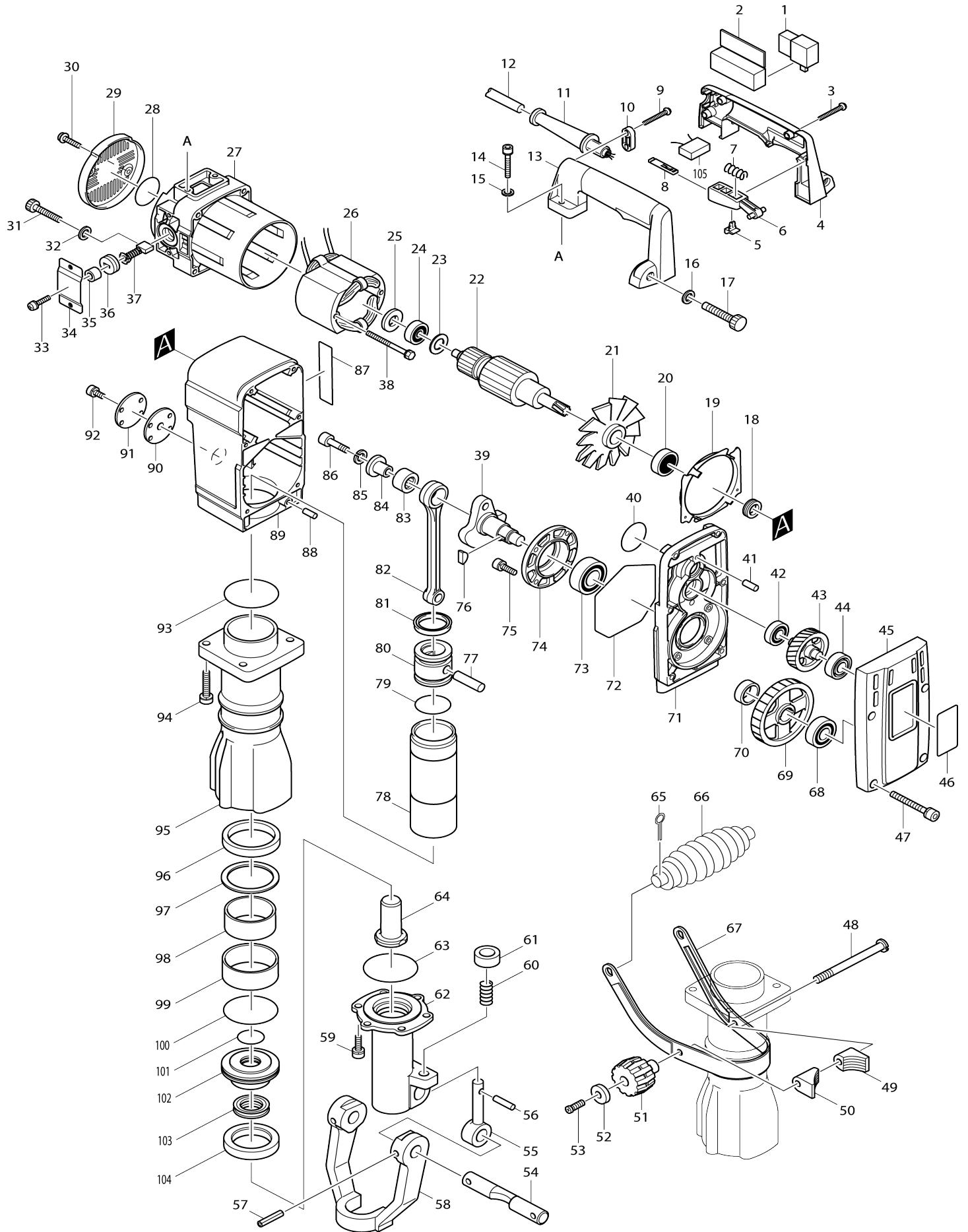


Model No.HM1303B DEMOLITION HAMMERS



Model No.HM1303B DEMOLITION HAMMERS

Item No.	Parts No.	Description	Interchangability	Q'ty	New/Old	Note1	Note2
001	651922-3	SWITCH TG71B		1			
002	421529-7	SWITCH BOX		1			
003	265995-6	TAPPING SCREW 4X18		3			
004	182844-1	HANDLE SET		1			
D10		INC. 13					
005	415805-9	LOCK BUTTON		1			
006	415120-1	SWITCH LEVER		1			
007	231457-6	COMPRESSION SPRING 3		1			
008	415806-7	LOCK PLATE		1			
009	265995-6	TAPPING SCREW 4X18		2			
010C_	687063-9	CORD CLAMP		1	*		
010C1	687052-4	STRAIN RELIEF	X	1			
011B_	682540-6	CORD GUARD 9.3-90		1	*		
011B1	682568-4	CORD GUARD 10	<	1			
012L_	665883-1	POWER SUPPLY CORD 1.0-2-5.0		1			
013	182844-1	HANDLE SET		1			
D10		INC. 4					
014	922361-7	HEX. SOCKET HEAD BOLT M6X40		2			
015	941152-7	FLAT WASHER 6		2			
016	941152-7	FLAT WASHER 6		2			
017	922376-4	HEX. SOCKET HEAD BOLT M6X55		2			
018	331212-7	SEAL		1			
019	344273-8	BAFFLE PLATE		1			
020	211228-7	BALL BEARING 6202DDW		1			
021	241128-7	FAN 92		1			
022B_	516703-1	ARMATURE ASS'Y 220V		1			
D10		INC. 20,21,23,24					
023	681635-2	INSULATION WASHER		1			
024	211087-9	BALL BEARING 6200DDW		1			
025	253794-8	FLAT WASHER 18		1			
026B_	626043-0	FIELD 220V		1			
027	159904-4	MOTOR HOUSING COMPLETE		1			
C10	414665-6	FIX RING		2			
C20	643931-6	BRUSH HOLDER		2	*		
C21	643711-0	BRUSH HOLDER	X	2			
D10		INC. 28					
028	213406-5	O RING 30		1			
029	284069-4	REAR COVER		1			
030	266021-4	TAPPING SCREW 5X20		2			
031	922376-4	HEX. SOCKET HEAD BOLT M6X55		4			
032	941151-9	FLAT WASHER 6		4			
033	911221-8	PAN HEAD SCREW M5X16		4			
034	344384-9	HOLDER CAP PLATE		2			
035	262049-0	RUBBER RING 6		2			
036	643700-5	BRUSH HOLDER CAP 7-18		2			
037	191957-7	A.C. CARBON BRUSH CB-204		1	*		
037-1	194992-4	CARBON BRUSH SET CB-204	O	1			

038	265428-1	+ HEX. BOLT M5X65		2		
039	322894-6	CRANKSHAFT		1		
040	213460-9	O RING 35		1		
041	256111-1	PIN 6		1		
042	211104-5	BALL BEARING 6001		1		
043	226449-8	HELICAL GEAR 34		1		
044	211109-5	BALL BEARING 6201		1		
045	316732-2	GEAR HOUSING COVER		1		
046	858363-6	NAME PLATE		1		
047	922371-4	HEX. SOCKET HEAD BOLT M6X50		4	*	
047-1	266304-2	HEX. SOCKET HEAD BOLT M6X50	<	4		
048	266140-6	SET BOLT M10X113		1		
049	416228-4	HANDLE BASE		1		
050	416228-4	HANDLE BASE		1		
051	252633-9	WING NUT M10		1		
052	253194-2	FLAT WASHER 5		1		
053	922221-3	HEX. SOCKET HEAD BOLT M5X16		1		
054	322550-8	TOOL RETAINER SHAFT		1		
055	322477-2	TOOL RETAINER POLE		2		
056	256219-1	PIN 4		2		
057	951272-9	SPRING PIN 8-40		2		
058	322478-0	TOOL RETAINER		1		
059	266010-9	HEX. SOCKET HEAD BOLT M8X30		6		
060	233083-7	COMPRESSION SPRING 12		2		
061	322560-5	RETAINER RING		2		
062	322901-5	TOOL HOLDER		1		
063	213707-1	O RING 65		1		
064	322873-4	IMPACT BOLT		1		
065	952257-8	SPLIT PIN 3.0-20		2		
066	273492-8	GRIP 38		1		
067	344390-4	SIDE HANDLE		1	*	
067-1	345233-3	SIDE HANDLE	<	1		
068	211214-8	BALL BEARING 6302		1		
069	226450-3	HELICAL GEAR 57		1		
070	257196-0	RING 25		1		
071	159806-4	GEAR HOUSING COMPLETE		1		
D10		INC. 40				
072	213908-1	O RING 112		1	*	
072-1	421731-2	SEAL RING	O	1		
073	211373-8	BALL BEARING 6205LLU		1		
074	316730-6	BEARING BOX		1		
075	265366-7	HEX. SOCKET HEAD BOLT M6X22		4		
076	254001-2	WOODRUFF KEY 4		2		
077	256238-7	PIN 12		1		
078	322919-6	HAMMER		1		
079	213519-2	O RING 36		1		
080	322871-8	PISTON		1		
081	213520-7	Y RING 36		1		
082	322812-4	CONNECTING ROD		1		
083	212260-4	NEEDLE BEARING 1716		1		
084	321825-2	CRANK SLEEVE		1		
085	942251-8	SPRING WASHER 10		1		

086	922557-0	HEX. SOCKET HEAD BOLT M10X3 5		1			
087	819084-5	MAKITA LABEL		1			
088	256111-1	PIN 6		1			
089	159905-2	CRANK HOUSING COMPLETE		1	*		
C10	810711-7	CAUTION LABEL		1	*		
089-1	316832-8	CRANK HOUSING	O	1			
090	442009-0	PACKING 50		1			
091	341397-1	PLATE 50		1			
092	911211-1	PAN HEAD SCREW M5X12		4			
093	213707-1	O RING 65		1			
094	265367-5	HEX. SOCKET HEAD BOLT M8X40		4			
095	316831-0	BARREL		1			
096	262068-6	URETHANE RING 59		1			
097	267146-7	FLAT WASHER 58		1			
098	322815-8	IDLER		1			
099	262536-9	RUBBER SLEEVE 64		1			
100	213707-1	O RING 65		1			
101	213390-4	O RING 25		1			
102	322872-6	SEAL HOLDER		1			
103	213383-1	X RING 25		1			
104	262072-5	URETHANE RING 49		1			
105	645105-5	NOISE SUPPRESSOR		1			
A02	182852-2	STEEL CARRYING CASE		1	*		
A02-1	182851-4	STEEL CARRYING CASE	O	1			
B01	134924-9	SIDE HANDLE ASS'Y		1	*		
D10		INC. 48-53,65-67					
B01-1	134949-3	SIDE HANDLE ASS'Y	<	1			
D10		INC. 48-53,65-67					

Please state Parts No. when your order.

Print Date 17.11.2023