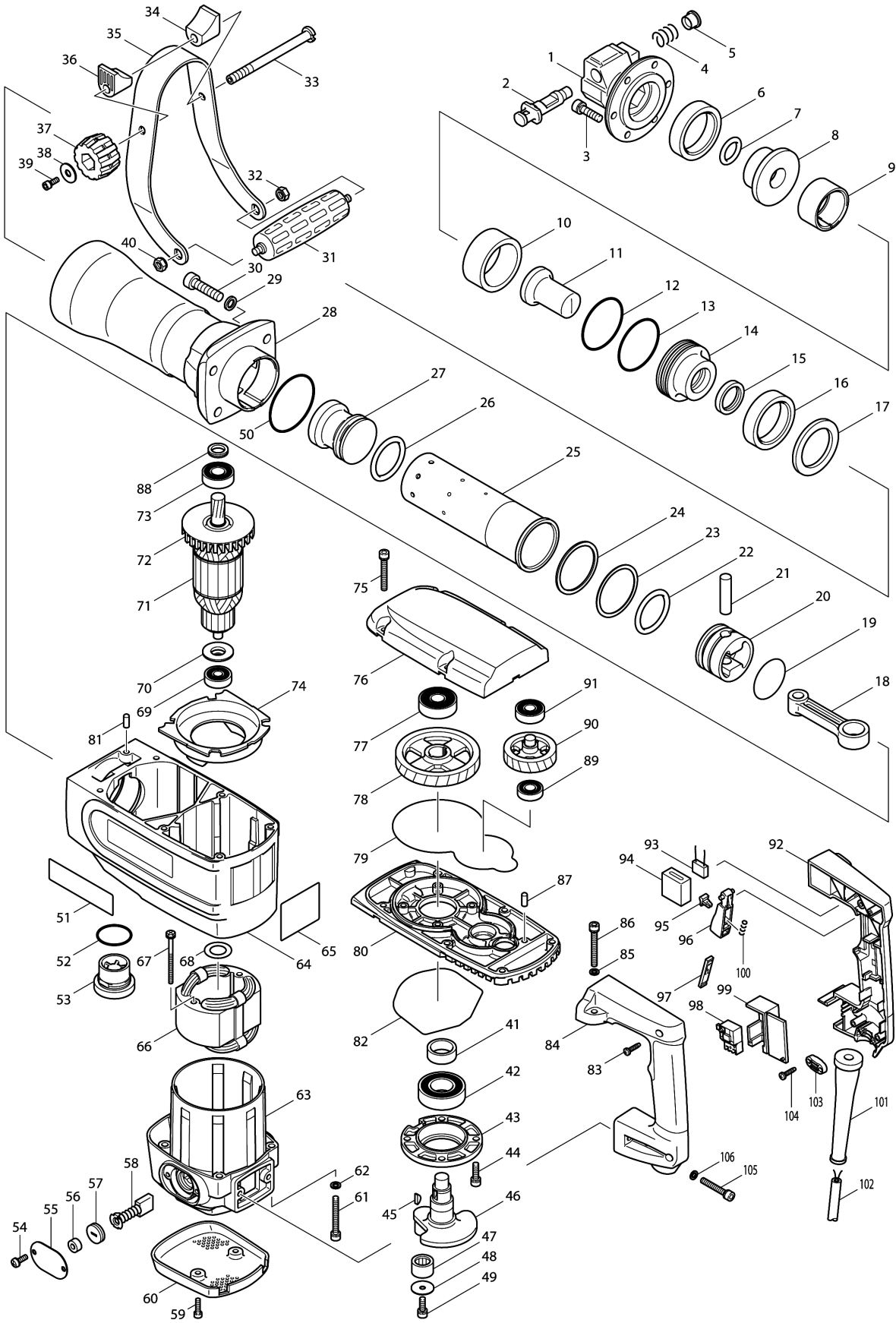


Model No.HM1304 DEMOLITION HAMMER



Model No.HM1304 DEMOLITION HAMMER

Item	Parts No.	Description	I/C	Qty	New/Old	Opt. 1	Opt. 2	Note
001	324098-6	TOOL HOLDER		1				
002	324099-4	TOOL RETAINER		1				
003	266010-9	HEX. SOCKET HEAD BOLT M8X30		6				
004	233309-7	COMPRESSION SPRING 17		1	*			
004-1	233309-7	COMPRESSION SPRING 17	O	1				
005	324135-6	RETAINER SLEEVE		1				
006	262098-7	URETHAN RING 48		1				
007	213388-1	O RING 24		1				
008	324167-3	TOOL GUIDE		1				
009	324166-5	IDLER		1				
010	262099-5	RUBBER RING 52		1				
011	324101-3	IMPACT BOLT		1				
012	213721-7	O RING 61		1	*			
012-1	421975-4	SEAL RING	S	1				
013	213721-7	O RING 61		1	*			
014	324165-7	SEAL HOLDER		1	*			
014-1	324738-6	SEAL HOLDER	S	1				
015	213443-9	X-RING 30		1				
016	262098-7	URETHAN RING 48		1				
017	267232-4	FLAT WASHER 48		1				
018	317448-2	CONNECTING ROD		1				
019	213617-2	O RING 47		1				
020	317447-4	PISTON		1				
021	268066-8	PIN 12		1				
022	213572-8	O-RING 44		1				
023	267233-2	FLAT WASHER 55		1				
024	261121-5	NYLON WASHER 55		1				
025	331600-8	CYLINDER LINER 54		1				
026	213572-8	O-RING 44		1				
027	324102-1	STRIKER		1				
028	317444-0	BARREL		1				
029	941252-3	FLAT WASHER 10		4				
030	266276-1	HEX.SOCKET HEAD BOLT M10X40		4				
031	273518-6	GRIP 37		1				
032	252005-8	HEX. NUT M8-13		1				
033	266298-1	SET BOLT M10X122		1				
034	416228-4	HANDLE BASE		1				
035	345279-9	SIDE HANDLE		1				
036	416228-4	HANDLE BASE		1				
037	252633-9	WING NUT M10		1				
038	253194-2	FLAT WASHER 5		1				
039	922221-3	HEX. SOCKET HEAD BOLT M5X16		1				
040	252005-8	HEX. NUT M8-13		1				
041	257196-0	RING 25		1				

Please order the parts with part number.

Print Date 23/11/2023

Model No.HM1304 DEMOLITION HAMMER

Item	Parts No.	Description	I/C	Qty	New/Old	Opt. 1	Opt. 2	Note
042	211373-8	BALL BEARING 6205LLU		1				
043	316730-6	BEARING BOX		1				
044	265366-7	HEX. SOCKET HEAD BOLT M6X22		4				
045	254001-2	WOODRUFF KEY 4		1				
046	324100-5	CRANK SHAFT		1				
047	212261-2	NEEDLE BEARING 1715		1				
048	253196-8	FLAT WASHER 6		1				
049	922326-9	HEX. SOCKET HEAD BOLT M6X18		1				
050	213720-9	O RING 67		1				
051	819084-5	MAKITA LABEL		2	*			
052	213510-0	O RING 36		1				
053	416561-4	CRANK CAP		1				
054	911221-8	PAN HEAD SCREW M5X16		4				
055	345278-1	HOLDER CAP PLATE		2				
056	262003-4	RUBBER RING 6		2				
057	643700-5	BRUSH HOLDER CAP 7-18		2				
058	191957-7	A.C. CARBON BRUSH CB-204		1	*			
058-1	194992-4	CARBON BRUSH SET CB-204	O	1				
059	922227-1	HEX. SOCKET HEAD BOLT M5X18		2				
060	345319-3	REAR COVER		1				
061	922371-4	HEX. SOCKET HEAD BOLT M6X50		4				
062	941151-9	FLAT WASHER 6		4				
063	153438-9	MOTOR HOUSING COMPLETE		1				
C10	213406-5	O RING 30		1				
C20	414665-6	FIX RING		2				
C30	643711-0	BRUSH HOLDER		2				
064	183557-7	CRANK HOUSING		1	*			
D10		INC. 51			*			
064-1	317623-0	CRANK HOUSING	O	1				
065	853955-6	HM1304 NAME PLATE		1				
066	626124-0	FIELD 220-240V		1				
067	265428-1	+ HEX. BOLT M5X65		2				
068	253794-8	FLAT WASHER 18		1				
069	211087-9	BALL BEARING 6200DDW		1				
070	681635-2	INSULATION WASHER		1				
071	516864-7	ARMATURE ASS'Y 220-240V		1				
D10		INC. 69,70,72,73						
072	241870-0	FAN 80		1				
073	211228-7	BALL BEARING 6202DDW		1				
074	418000-0	BAFFLE PLATE		1				
075	266310-7	HEX.SOCKET HEAD BOLT M6X45		4				
076	317446-6	GEAR HOUSING COVER		1				
077	211214-8	BALL BEARING 6302		1				

Please order the parts with part number.

Print Date 23/11/2023

Model No.HM1304 DEMOLITION HAMMER

Item	Parts No.	Description	I/C	Qty	New/Old	Opt. 1	Opt. 2	Note
078	226450-3	HELICAL GEAR 57		1				
079	421780-9	SEAL RING B		1				
080	317445-8	GEAR HOUSING		1				
081	256111-1	PIN 6		1				
082	421779-4	SEAL RING A		1				
083	265995-6	TAPPING SCREW 4X18		3				
084	183546-2	HANDLE SET		1				
D10		INC. 92						
085	941152-7	FLAT WASHER 6		2				
086	922371-4	HEX. SOCKET HEAD BOLT M6X50		2				
087	256111-1	PIN 6		1				
088	331212-7	SEAL		1				
089	211104-5	BALL BEARING 6001		1				
090	226449-8	HELICAL GEAR 34		1				
091	211109-5	BALL BEARING 6201		1				
092	183546-2	HANDLE SET		1				
D10		INC. 84						
093	645105-5	NOISE SUPPRESSOR		1				
094	685725-3	SPONGE SHEET		1				
095	415805-9	LOCK BUTTON		1				
096	417544-7	SWITCH LEVER		1				
097	415806-7	LOCK PLATE		1				
098	651922-3	SWITCH TG71B		1	*			
098-1	650677-7	SWITCH C3PA-1112	<	1	*			
098-2	651922-3	SWITCH TG71B	<	1	*			
098-3	650677-7	SWITCH C3PA-1112	<	1				
099	421778-6	SWITCH BOX		1				
100	231457-6	COMPRESSION SPRING 3		1				
101	682560-0	CORD GUARD 10		1				
102	665883-1	POWER SUPPLY CORD 1.0-2- 5.0		1				
103	687052-4	STRAIN RELIEF		1				
104	265995-6	TAPPING SCREW 4X18		2				
105	922361-7	HEX. SOCKET HEAD BOLT M6X40		2				
106	941152-7	FLAT WASHER 6		2				
A01	798029-5	BULL POINT 30-410		1	*			
A02	183567-4	STEEL CARRYING CASE		1				
C10	819140-1	MAKITA LOGO LABEL		1				
B01	195201-4	HAMMER SERVICE KIT		1				
C10	181490-7	HAMMER GREASE 30G		3				
D10		INC. 7,15,19,22,26,58						
F07	197148-8	DUST EXTRACTOR ATTACHMENT SET		1				
F09	197168-2	DUST EXTRACTOR ATTACHMENT SET		1				

Please order the parts with part number.

Print Date 23/11/2023