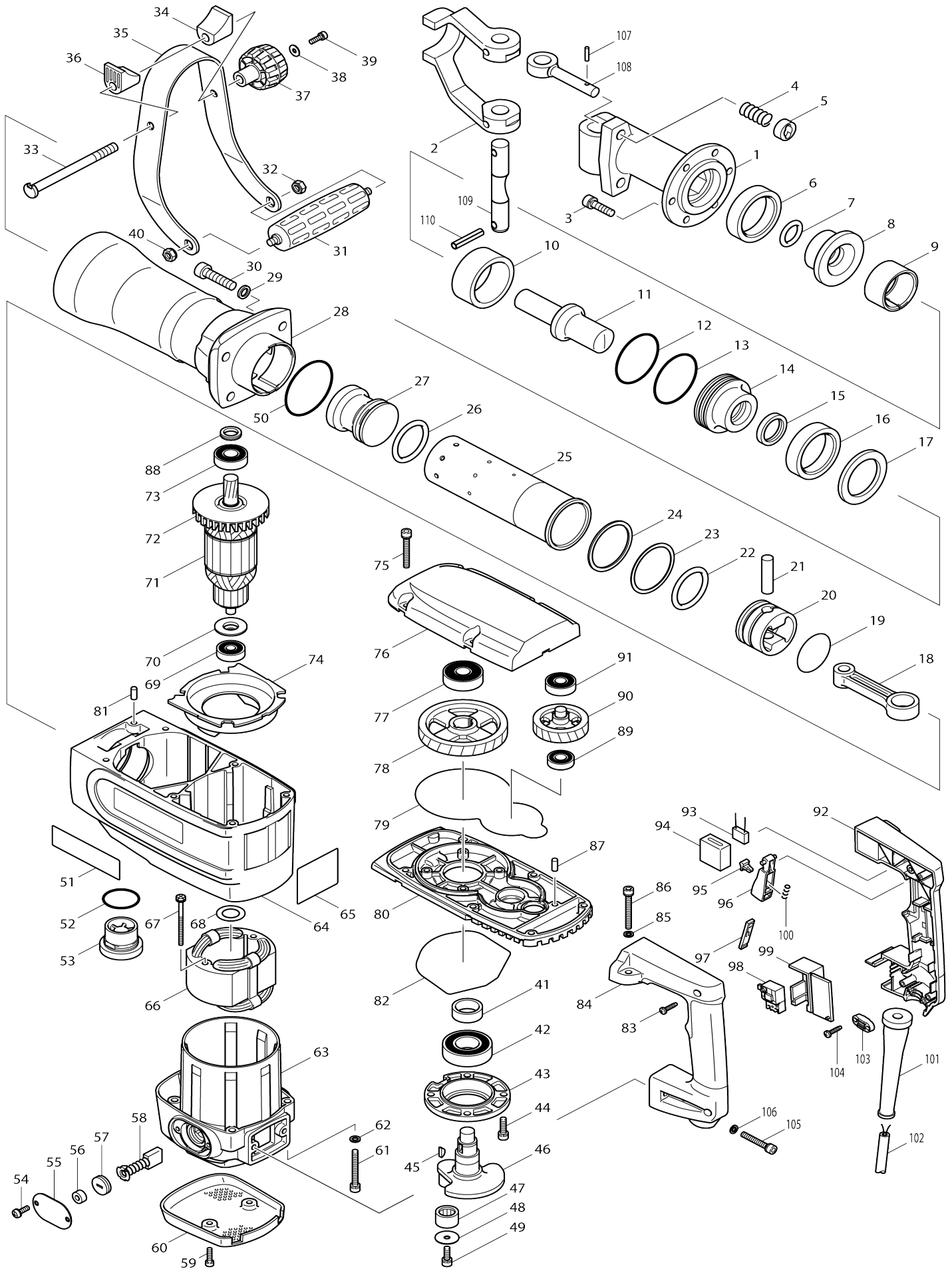


Model No.HM1304B DEMOLITION HAMMER



Model No.HM1304B DEMOLITION HAMMER

Item No.	Parts No.	Description	Interchangability	Q'ty	New/Old	Note1	Note2
001	324345-5	TOOL HOLDER		1			
002	322478-0	TOOL RETAINER		1			
003	266010-9	HEX. SOCKET HEAD BOLT M8X30		6			
004	233083-7	COMPRESSION SPRING 12		2			
005	322560-5	RETAINER RING		2			
006	262098-7	URETHAN RING 48		1			
007	213388-1	O RING 24		1			
008	324346-3	TOOL GUIDE		1			
009	324166-5	IDLER		1			
010	262099-5	RUBBER RING 52		1			
011	324347-1	IMPACT BOLT		1			
012	213721-7	O RING 61		1	*		
012-1	421975-4	SEAL RING	S	1			
013	213721-7	O RING 61		1	*		
014	324165-7	SEAL HOLDER		1	*		
014-1	324738-6	SEAL HOLDER	S	1			
015	213443-9	X-RING 30		1			
016	262098-7	URETHAN RING 48		1			
017	267232-4	FLAT WASHER 48		1			
018	317448-2	CONNECTING ROD		1			
019	213617-2	O RING 47		1			
020	317447-4	PISTON		1			
021	268066-8	PIN 12		1			
022	213572-8	O-RING 44		1			
023	267233-2	FLAT WASHER 55		1			
024	261121-5	NYLON WASHER 55		1			
025	331600-8	CYLINDER LINER 54		1			
026	213572-8	O-RING 44		1			
027	324102-1	STRIKER		1			
028	317444-0	BARREL		1			
029	941252-3	FLAT WASHER 10		4			
030	266276-1	HEX.SOCKET HEAD BOLT M10X40		4			
031	273518-6	GRIP 37		1			
032	252005-8	HEX. NUT M8-13		1			
033	266298-1	SET BOLT M10X122		1			
034	416228-4	HANDLE BASE		1			
035	345279-9	SIDE HANDLE		1			
036	416228-4	HANDLE BASE		1			
037	252633-9	WING NUT M10		1			
038	253194-2	FLAT WASHER 5		1			
039	922221-3	HEX. SOCKET HEAD BOLT M5X16		1			
040	252005-8	HEX. NUT M8-13		1			
041	257196-0	RING 25		1			
042	211373-8	BALL BEARING 6205LLU		1			
043	316730-6	BEARING BOX		1			
044	265366-7	HEX. SOCKET HEAD BOLT M6X22		4			
045	254001-2	WOODRUFF KEY 4		1			

046	324100-5	CRANK SHAFT		1		
047	212261-2	NEEDLE BEARING 1715		1		
048	253196-8	FLAT WASHER 6		1		
049	922326-9	HEX. SOCKET HEAD BOLT M6X18		1		
050	213720-9	O RING 67		1		
051	819084-5	MAKITA LABEL		2	*	
052	213510-0	O RING 36		1		
053	416561-4	CRANK CAP		1		
054	911221-8	PAN HEAD SCREW M5X16		4		
055	345278-1	HOLDER CAP PLATE		2		
056	262003-4	RUBBER RING 6		2		
057	643700-5	BRUSH HOLDER CAP 7-18		2		
058	191957-7	A.C. CARBON BRUSH CB-204		1		
059	922227-1	HEX. SOCKET HEAD BOLT M5X18		2		
060	345319-3	REAR COVER		1		
061	922371-4	HEX. SOCKET HEAD BOLT M6X50		4	*	
061-1	922374-8	H.S.H.BOLT M6X50 WITH WG	S	4		
062	941151-9	FLAT WASHER 6		4	*	
063	153438-9	MOTOR HOUSING COMPLETE		1		
C10	213406-5	O RING 30		1		
C20	414665-6	FIX RING		2		
C30	643711-0	BRUSH HOLDER		2		
064	183557-7	CRANK HOUSING		1	*	
D10		INC. 51				
064-1	317623-0	CRANK HOUSING	O	1		
065	850406-0	NAME PLATE HM1304B		1		
066	626124-0	FIELD 220-240V		1		
067	265428-1	+ HEX. BOLT M5X65		2		
068	253794-8	FLAT WASHER 18		1		
069	211087-9	BALL BEARING 6200DDW		1		
070	681635-2	INSULATION WASHER		1		
071	516864-7	ARMATURE ASS'Y 220-240V		1		
D10		INC. 69,70,72,73				
072	241870-0	FAN 80		1		
073	211228-7	BALL BEARING 6202DDW		1		
074	418000-0	BAFFLE PLATE		1		
075	266310-7	HEX.SOCKET HEAD BOLT M6X45		4		
076	317446-6	GEAR HOUSING COVER		1		
077	211214-8	BALL BEARING 6302		1		
078	226450-3	HELICAL GEAR 57		1		
079	421780-9	SEAL RING B		1		
080	317445-8	GEAR HOUSING		1		
081	256111-1	PIN 6		1		
082	421779-4	SEAL RING A		1		
083	265995-6	TAPPING SCREW 4X18		3		
084	183546-2	HANDLE SET		1		
D10		INC. 92				
085	941152-7	FLAT WASHER 6		2		
086	922371-4	HEX. SOCKET HEAD BOLT M6X50		2		
087	256111-1	PIN 6		1		
088	331212-7	SEAL		1		

089	211104-5	BALL BEARING 6001		1		
090	226449-8	HELICAL GEAR 34		1		
091	211109-5	BALL BEARING 6201		1		
092	183546-2	HANDLE SET		1		
D10		INC. 84				
093	645105-5	NOISE SUPPRESSOR		1		
094	685725-3	SPONGE SHEET		1		
095	415805-9	LOCK BUTTON		1		
096	417544-7	SWITCH LEVER		1		
097	415806-7	LOCK PLATE		1		
098	651922-3	SWITCH TG71B		1	*	
098-1	650677-7	SWITCH C3PA-1112	<	1	*	
098-2	651922-3	SWITCH TG71B	<	1	*	
098-3	650677-7	SWITCH C3PA-1112	<	1		
099	421778-6	SWITCH BOX		1		
100	231457-6	COMPRESSION SPRING 3		1		
101	682560-0	CORD GUARD 10		1		
102	665883-1	POWER SUPPLY CORD 1.0-2-5.0		1		
103	687052-4	STRAIN RELIEF		1		
104	265995-6	TAPPING SCREW 4X18		2		
105	922361-7	HEX. SOCKET HEAD BOLT M6X40		2		
106	941152-7	FLAT WASHER 6		2		
107	256219-1	PIN 4		2		
108	322477-2	TOOL RETAINER POLE		2		
109	322550-8	TOOL RETAINER SHAFT		1		
110	951272-9	SPRING PIN 8-40		2		
A01	183598-3	STEEL CARRYING CASE		1	*	
C10	819140-1	MAKITA LOGO LABEL		1	*	
A01-1	824826-4	PLASTIC CARRYING CASE	<	1		
C10	163467-4	LATCH		2		
B01	195201-4	HAMMER SERVICE KIT		1		
C10	181490-7	HAMMER GREASE 30G		3		
D10		INC. 7,15,19,22,26,58				
F08	197148-8	DUST EXTRACTOR ATTACHMENT SET		1		
F10	197168-2	DUST EXTRACTOR ATTACHMENT SET		1		

Please state Parts No. when your order.

Print Date 02/16/2024