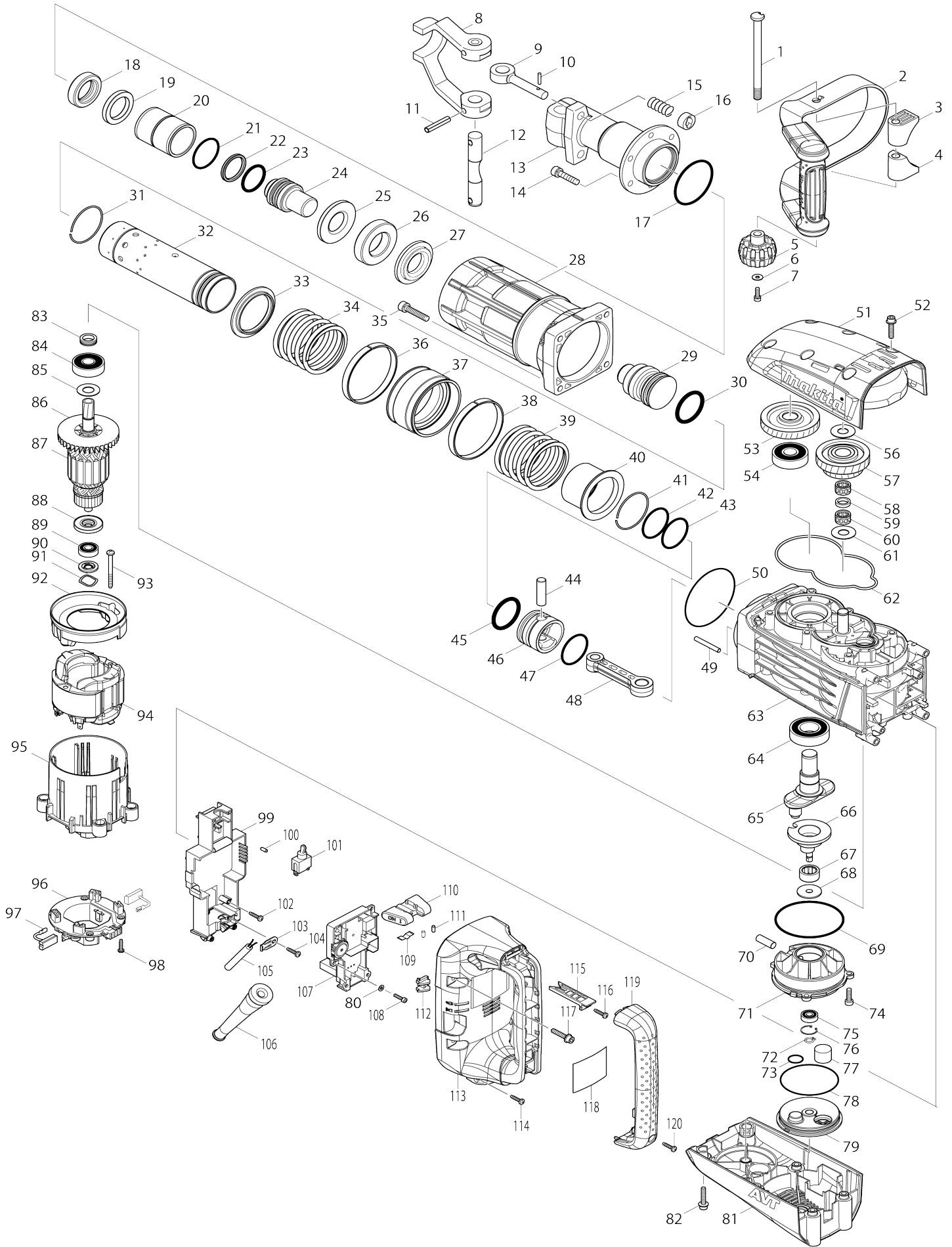


# Model No.HM1317CB ELECTRIC BREAKER



Model No.HM1317CB ELECTRIC BREAKER

Item No.	Parts No.	Description	Interchangability	Q'ty	New/Old	Note1	Note2
001	266512-5	SET BOLT M10X142		1			
002	163506-0	SIDE HANDLE		1			
003	451331-4	HANDLE BASE		1			
004	451331-4	HANDLE BASE		1			
005	252654-1	THUMB NUT M10		1			
006	253194-2	FLAT WASHER 5		1			
007	922221-3	HEX. SOCKET HEAD BOLT M5X16		1			
008	325895-3	TOOL RETAINER		1			
009	322477-2	TOOL RETAINER POLE		2			
010	256219-1	PIN 4		2			
011	951272-9	SPRING PIN 8-40		2			
012	324238-6	TOOL RETAINER SHAFT		1			
013	331872-5	TOOL HOLDER		1			
014	266011-7	HEX. SOCKET HEAD BOLT M8X35		6			
015	233083-7	COMPRESSION SPRING 12		2			
016	322560-5	RETAINER RING		2			
017	213720-9	O RING 67		1			
018	262151-9	URETHAN RING 32		1			
019	257301-9	RING 35		1			
020	257788-5	SLEEVE 43		1			
021	213569-7	O RING 45		1			
022	213192-8	X-RING 36		1			
023	213150-4	O-RING 36		1			
024	325687-0	IMPACT BOLT		1			
025	325683-8	WASHER 30		1			
026	424206-0	RUBBER RING 36		1			
027	325684-6	SHOULDER RING 32		1			
028	318458-2	BARREL		1			
029	325685-4	STRIKER		1	*		
029-1	325685-4	STRIKER	O	1			
030	213193-6	O-RING 42		1			
031	233977-6	RING SPRING 55		1			
032	331870-9	CYLINDER 52		1			
033	451168-9	SHOULDER SLEEVE		1			
034	234111-1	COMPRESSION SPRING 66		1			
035	265367-5	HEX. SOCKET HEAD BOLT M8X40		4			
036	451169-7	WEIGHT GUIDE		1			
037	331867-8	COUNTER WEIGHT		1			
038	451169-7	WEIGHT GUIDE		1			
039	234111-1	COMPRESSION SPRING 66		1			
040	331868-6	SLIDE SLEEVE		1			
041	233977-6	RING SPRING 55		1			
042	213569-7	O RING 45		1			
043	213569-7	O RING 45		1			
044	256238-7	PIN 12		1			
045	213193-6	O-RING 42		1			
046	318459-0	PISTON		1			

047	213569-7	O RING 45		1		
048	451164-7	CONNECTING ROD		1		
049	268241-6	PIN 6		1		
050	213806-9	O RING 90		1		
051	318462-1	GEAR COVER		1		
052	266499-1	H.S HEAD BOLT M6X30 WITH GM		6		
053	227709-1	HELICAL GEAR 47		1		
054	211306-3	BALL BEARING 6204LLB		1		
056	267166-1	FLAT WASHER 14		1		
057	226156-3	GEAR COMPLETE 31-43		1		
058	212159-3	NEEDLE CAGE 1412		1		
059	262157-7	NYLON RING 14		1		
060	212159-3	NEEDLE CAGE 1412		1		
061	267166-1	FLAT WASHER 14		1		
062	424207-8	SEAL RING		1		
063	140056-2	CRANK HOUSING COMPLETE		1		
064	211373-8	BALL BEARING 6205LLU		1		
065	331871-7	CRANK SHAFT		1		
066	331869-4	COUNTER SHAFT		1		
067	212264-6	NEEDLE ROLLER BEARING 1813		1		
068	325686-2	SHOULDER WASHER 8		1		
069	213809-3	O RING 87		1		
070	268240-8	PIN 10		1		
071	140057-0	BEARING BOX COMPLETE		1		
072	961004-6	RETAINING RING (EXT) S-8		1		
073	213261-5	O RING 17		1		
074	265844-7	HEX. SOCKET HEAD BOLT M6X20		3		
075	211032-4	BALL BEARING 608ZZ		1	*	
075-1	210223-4	BALL BEARING 608ZZ	O	1		
076	962112-6	RETAINING RING R-22		1		
077	443127-7	FILTER		1		
078	213758-4	O RING 74		1		
079	451166-3	CRANK CAP COVER		1		
080	941051-3	FLAT WASHER 4		2	*	
080-1	346546-5	PLATE	X	2	*	
081	451167-1	REAR COVER		1		
082	266499-1	H.S HEAD BOLT M6X30 WITH GM		6		
083	331855-5	SEALING SCREW		1		
084	211249-9	BALL BEARING 6302LLU		1		
085	267397-2	FLAT WASHER 15		1		
086	240003-4	FAN 80		1		
087	517788-0	ARMATURE ASSEMBLY 220-240V		1		
D10		INC. 84-86,88,89				
088	681642-5	INSULATION WASHER		1		
089	210059-1	BALL BEARING 6000DDW		1		
090	451107-9	WASHER GUIDE		1		
091	267809-5	WAVE WASHER 19		1		
092	451111-8	BAFFLE PLATE		1		
093	266044-2	TAPPING SCREW 5X60		2		
094	636333-3	FIELD 220-240V		1		
095	451117-6	MOTOR HOUSING		1		
096	638447-4	BRUSH HOLDER UNIT		1	*	

096-1	632D00-2	BRUSH HOLDER UNIT	<	1			
097	194412-8	CARBON BRUSH CB-171		1	*		
097-1	195844-2	CARBON BRUSH CB-175	O	1			
098	265995-6	TAPPING SCREW 4X18		4			
099	158986-3	CONTROLLER COVER COMPLETE		1	*		
099-1	158986-3	CONTROLLER COVER COMPLETE	S	1			
100	263027-3	RUBBER PIN 4		1			
101	651423-1	SWITCH		1	*		
101-1	651423-1	SWITCH	O	1			
102	265995-6	TAPPING SCREW 4X18		2			
103	687169-3	STRAIN RELIEF		1			
104	265995-6	TAPPING SCREW 4X18		1			
105	695123-3	POWER SUPPLY CORD 1.5-2-4.0		1			
106	682560-0	CORD GUARD 10		1			
107	631920-3	CONTROLLER		1	*		
107-1	631920-3	CONTROLLER	S	1	*		
107-2	620230-3	CONTROLLER	S	1			
108	265490-6	HEX. SOCKET HEAD BOLT M4X16		2	*		
108-1	266834-3	H.S.H.BOLT M4X18 WITH GM	S	2			
109	232209-8	LEAF SPRING		1			
110	451112-6	SLIDE LEVER		1			
111	263027-3	RUBBER PIN 4		2			
112	451105-3	LENS		1			
113	451118-4	HANDLE		1			
114	265995-6	TAPPING SCREW 4X18		1			
115	451106-1	SWITCH LEVER		1			
116	265995-6	TAPPING SCREW 4X18		1			
117	266499-1	H.S HEAD BOLT M6X30 WITH GM		4			
118	867310-6	HM1317CB NAME PLATE		1	*		
118-1	858579-7	HM1317CB NAME PLATE	O	1			
119	451119-2	HANDLE COVER		1			
120	265995-6	TAPPING SCREW 4X18		2			
121	442180-0	BOTH SIDE ADHESIVE TAPE	S	1	*		
122	126092-2	CONTROLLER ASSEMBLY		1	*		
D10		INC. 99,102,107,121					
122-1	141800-0	CONTROLLER ASSEMBLY	<	1	*		
D10		INC. 99,102,107,121					
A01	D-31918	BULL POINT 410 BULK		1	*		
A01-1	D-17631	BULL POINT 410	<	1	*		
A01-2	D-17631	BULL POINT 410	<	1			
A02	824897-1	PLASTIC CARRYING CASE		1	*		
C10	162271-8	LATCH		2	*		
A02-1	824898-9	PLASTIC CARRYING CASE	O	1			
C10	162271-8	LATCH		2			
A03	809557-6	HM1317CB PLASTIC CASE LABEL		2			
B01	195103-4	HAMMER SERVICE KIT		1			
C10	181490-7	HAMMER GREASE 30G		2			
D10		INC. 22,23,30,45,47,97					
E03	819R43-7	SOUND 105DB LABEL		1			
F08	197148-8	DUST EXTRACTOR ATTACHMENT SET		1			
F10	197168-2	DUST EXTRACTOR ATTACHMENT		1			

		SET					
--	--	-----	--	--	--	--	--

Please state Parts No. when your order.

Print Date 22/11/2023