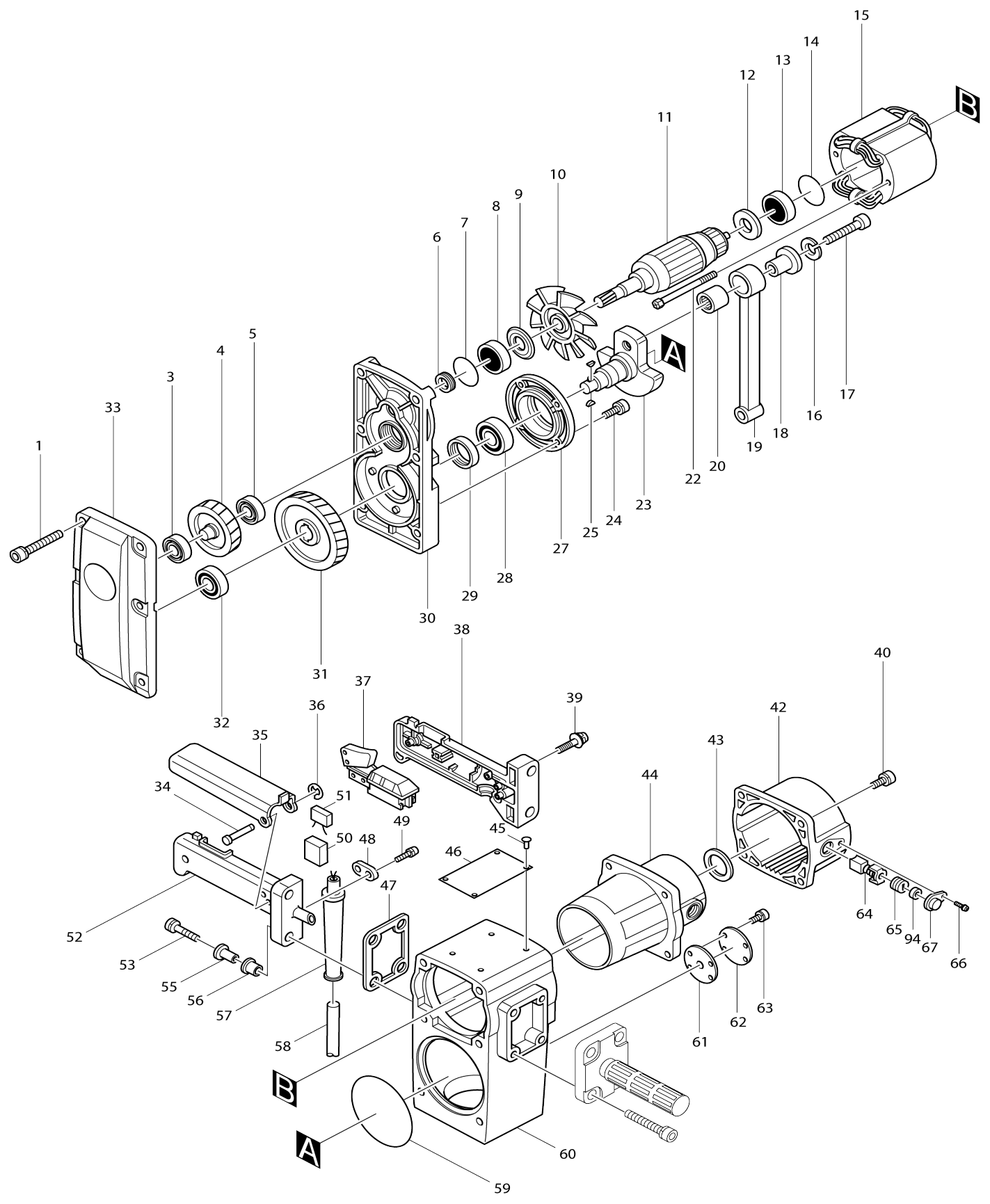
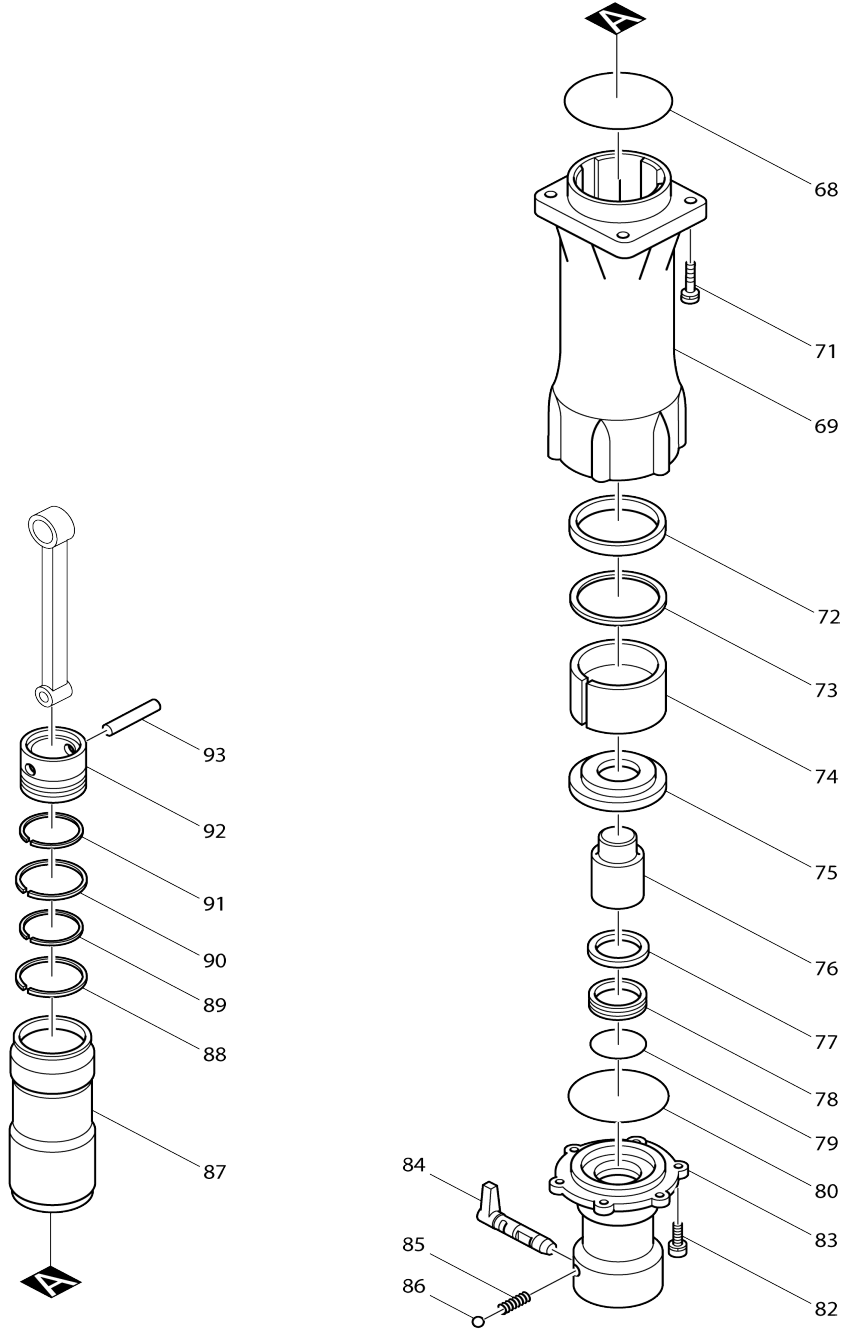


Model No.HM1400 ELECTRIC BREAKER



Model No.HM1400 ELECTRIC BREAKER



Model No.HM1400 ELECTRIC BREAKER

Item No.	Parts No.	Description	Interchangability	Q'ty	New/Old	Note1	Note2
001	922471-0	HEX. SOCKET HEAD BOLT M8X50		6			
003	211109-5	BALL BEARING 6201		1			
004	221713-2	HELICAL GEAR 36		1			
005	211109-5	BALL BEARING 6201		1			
006	331212-7	SEAL		1			
007	213460-9	O RING 35		1			
008	211206-7	BALL BEARING 6202LLB		1			
009	213202-1	DUST SEAL 15		1			
010	241648-1	FAN 104		1			
011C_	514843-9	ARMATURE ASS'Y 220V		1			
D10		INC. 8-13					
012	681624-7	INSULATION WASHER		1	*		
012-1	681635-2	INSULATION WASHER	O	1			
013	211066-7	BALL BEARING 6200LLB		1			
014	213406-5	O RING 30		1			
015C_	524793-0	FIELD ASS'Y 220V		1			
C11	654084-6	RING TERMINAL		2			
C21	654503-2	CONNECTOR P-5.5		2			
C30	684021-6	TUBE 5-20		2			
016	942301-9	SPRING WASHER 12		1			
017	922667-3	HEX. SOCKET HEAD BOLT M12X45		1			
018	321560-2	CRANK SLEEVE		1			
019	321557-1	CONNECTING ROD		1			
020	212307-4	NEEDLE BEARING 1820		1			
022-1	265343-9	+ HEX. BOLT M5X80		2			
023	321556-3	CRANK SHAFT		1			
024-1	266009-4	HEX. SOCKET HEAD BOLT M8X18		4			
025	254001-2	WOODRUFF KEY 4		2			
027	315525-4	BEARING BOX		1			
028	211359-2	BALL BEARING 6205		1			
029	213354-8	OIL SEAL 25		1			
030	157648-0	GEAR HOUSING		1	*		
D10		INC. 7					
030-1	141X35-7	GEAR HOUSING COMPLETE	O	1			
D10		INC. 7					
031	221714-0	HELICAL GEAR 53		1			
032	211214-8	BALL BEARING 6302		1			
033	315908-8	GEAR HOUSING COVER		1	*		
033-1	312G31-2	GEAR HOUSING COVER	O	1			
034	323147-6	SWITCH LEVER PIN		1			
035-1	342531-6	SWITCH LEVER		1			
036	961011-9	STOP RING E-4		1			
037-1	651131-4	SWITCH C3D-15MS		1			
038	181906-2	HANDLE SET		1			
D10		INC. 52					
039	911253-5	PAN HEAD SCREW M5X30		3			
040	922356-0	HEX. SOCKET HEAD BOLT M6X35		4			

042-2	316385-7	REAR CASE		1		
043	253751-6	FLAT WASHER 24		1		
044-3	159420-6	MOTOR HOUSING		1		
C10	643659-6	BRUSH HOLDER		2		
C30	414964-6	RING		2		
045	953106-2	RIVET 0-5		4		
046	855573-6	NAME PLATE HM1400		1	*	
046-1	858T10-9	HM1400 NAME PLATE	O	1		
047	423137-0	PACKING		1		
048D_	687031-2	STRAIN RELIEF		1		
049-1	911133-5	PAN HEAD SCREW M4X18		2		
050-1	685725-3	SPONGE SHEET		1		
051-1	645105-5	NOISE SUPPRESSOR		1		
052	181906-2	HANDLE SET		1		
D10		INC. 38				
053	922461-3	HEX. SOCKET HEAD BOLT M8X40		4		
055	321956-7	HANDLE SLEEVE		4		
056	421308-3	SLEEVE		4		
057C_	682540-6	CORD GUARD 9.3-90		1	*	
057C1	682505-8	CORD GUARD 10-90	O	1		
058H 1	665883-1	POWER SUPPLY CORD 1.0-2-5.0		1		
059	213855-6	O RING 95		1		
060	157649-8	CRANK HOUSING		1	*	
C10	817661-7	CAUTION LABEL		1	*	
060-1	141X30-7	CRANK HOUSING COMPLETE	O	1		
C10	817661-7	CAUTION LABEL		1		
061	442009-0	PACKING 50		1		
062	341397-1	PLATE 50		1		
063	911211-1	PAN HEAD SCREW M5X12		4		
064-2	181048-2	A.C. CARBON BRUSH CB-155		1	*	
064-3	194987-7	CARBON BRUSH SET CB-155	O	1		
065	643650-4	BRUSH HOLDER CAP 6.5-13.5		2	*	
065-1	643650-4	BRUSH HOLDER CAP 6.5-13.5	O	2		
066	911216-1	PAN HEAD SCREW M5X14		2		
067-1	343891-9	HOLDER CAP PLATE		2		
068	213755-0	O RING 75		1		
069	315524-6	CYLINDER		1	*	
069-1	312G27-3	CYLINDER	O	1		
071	922461-3	HEX. SOCKET HEAD BOLT M8X40		4		
072	262034-3	NYLON RING 63		1		
073	253861-9	FLAT WASHER 63		1		
074-1	331299-9	IDLER		1		
075-1	322208-9	RING HOLDER		1		
076	321563-6	IMPACT BOLT		1		
077	262039-3	NYLON RING 42		1		
078-1	213517-6	X RING 40		1		
079	213504-5	O RING 40		1		
080	213754-2	O RING 71		1		
082-1	266010-9	HEX. SOCKET HEAD BOLT M8X30		6		
083	321961-4	TOOL HOLDER		1		
084	321788-2	TOOL RETAINER		1		

085	231032-8	COMPRESSION SPRING 5		1			
086	216004-4	STEEL BALL 7.9		1			
087-1	322059-0	HAMMER		1			
088	412055-7	PISTON RING 50		1			
089	341993-5	INNER RING		1			
090	412055-7	PISTON RING 50		1			
091	341993-5	INNER RING		1			
092	321562-8	PISTON		1			
093	256128-4	PIN 10		1			
094	262003-4	RUBBER RING 6		2			
400	273423-7	GRIP 40		1	*		
C10	273009-7	GRIP COVER 33		1	*		
400-1	273040-3	GRIP 40	O	1			
C10	273009-7	GRIP COVER 33		1			
402	922451-6	HEX. SOCKET HEAD BOLT M8X30		4			
404	783204-6	HEX. WRENCH 6		1			
405	798029-5	BULL POINT 30-410		1	*		
B01	193399-1	HAMMER SERVICE KIT		1			
C10	181490-7	HAMMER GREASE 30G		2			
D10		INC. 64,78,79,88-91					
F09	197148-8	DUST EXTRACTOR ATTACHMENT SET		1			
F11	197168-2	DUST EXTRACTOR ATTACHMENT SET		1			

Please state Parts No. when your order.

Print Date 02/16/2024