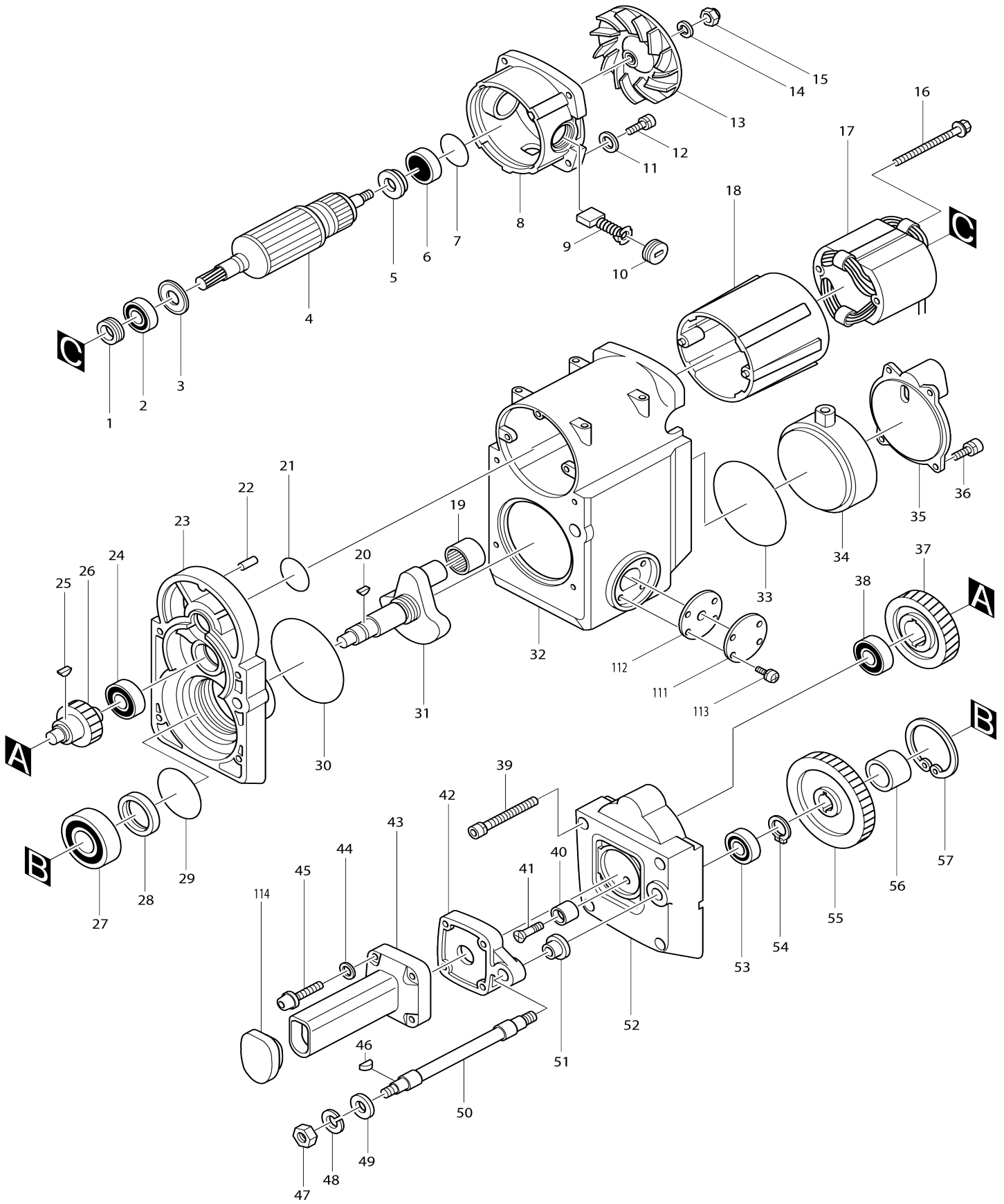
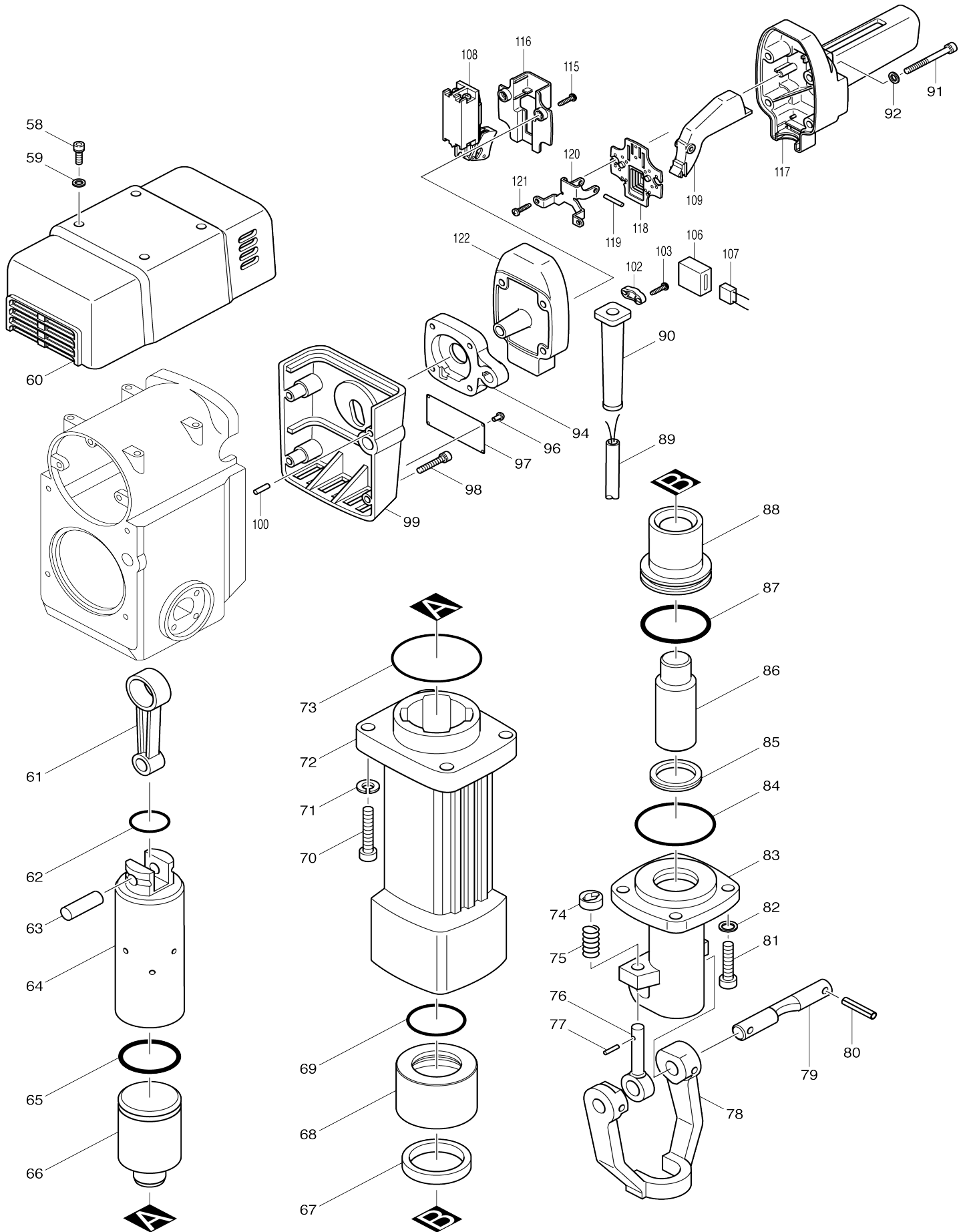


Model No.HM1800 ELECTRIC BREAKER



Model No.HM1800 ELECTRIC BREAKER



Model No.HM1800 ELECTRIC BREAKER

Item No.	Parts No.	Description	Interchangability	Q'ty	New/Old	Note1	Note2
001	322566-3	SCREW SEAL		1			
002	211256-2	BALL BEARING 6203LLB		1			
003	267706-5	WASHER 17		1			
004B_	514993-0	ARMATURE ASS'Y 220V		1			
D10		INC. 1-3,5,6					
005	681624-7	INSULATION WASHER		1	*		
005-1	681635-2	INSULATION WASHER	O	1	*		
005-2	681646-7	INSULATION WASHER	O	1			
006	211066-7	BALL BEARING 6200LLB		1			
007	213406-5	O RING 30		1			
008	159530-9	MOTOR HOUSING B COMPLETE		1			
C11	643931-6	BRUSH HOLDER		2	*		
C12	643711-0	BRUSH HOLDER	X	2			
C20	414665-6	FIX RING		2			
D10		INC. 7					
009	191957-7	A.C. CARBON BRUSH CB-204		1	*		
009-1	194992-4	CARBON BRUSH SET CB-204	O	1			
010	643700-5	BRUSH HOLDER CAP 7-18		2	*		
010-1	643710-2	BRUSH HOLDER CAP	O	2			
011	941151-9	FLAT WASHER 6		4			
012	922341-3	HEX. SOCKET HEAD BOLT M6X25		4	*		
012-1	265914-2	HEX. SOCKET HEAD BOLT M6X25	X	4			
013	241854-8	FAN 100		1	*		
013-1	240024-6	FAN 100	X	1			
014	942201-3	SPRING WASHER 8		1	*		
014-1	253165-9	FLAT WASHER 8	X	1			
015	252105-4	HEX. LOCK NUT M8-13		1	*		
015-1	931402-8	HEX. NUT M8	X	1			
016	265344-7	+ HEX. BOLT M5X85		2			
017D_	624953-5	FIELD 220V		1			
018	414787-2	MOTOR HOUSING A		1			
019	212358-7	NEEDLE BEARING 2520		1			
020	254001-2	WOODRUFF KEY 4		2			
021	213507-9	O RING 40		1			
022	256151-9	PIN 5		1			
023	159531-7	GEAR HOUSING COMPLETE		1			
D10		INC. 21,29					
024	211209-1	BALL BEARING 6202		1			
025	254001-2	WOODRUFF KEY 4		2			
026	226251-9	SPUR GEAR 22		1			
027	211361-5	BALL BEARING 6305LLB		1			
028	213476-4	OIL SEAL 35		1			
029	213721-7	O RING 61		1			
030	213806-9	O RING 90		1			
031	152414-0	CRANK SHAFT COMPLETE		1			
C10	216104-0	INNER SLEEVE 2020		1			
032-1	159658-3	CRANK HOUSING COMPLETE		1	*		

C10	810711-7	CAUTION LABEL		1	*		
032-2	316550-8	CRANK HOUSING	O	1			
033	213806-9	O RING 90		1			
034	414785-6	CRANK HOUSING CAP		1			
035	414786-4	CAP COVER		1			
036	251390-6	+ PAN HEAD SCREW M5X18		4			
037	221793-8	HELICAL GEAR 50		1			
038	211209-1	BALL BEARING 6202		1			
039	922496-4	HEX. SOCKET HEAD BOLT M8X75		4			
040	262526-2	RUBBER SLEEVE 8		1	*		
040-1	262538-5	RUBBER SLEEVE 8	X	1			
041	251389-1	+ COUNTERSUNK HEAD SCREW M8X28		1			
042	322481-1	HANDLE BASE		1	*		
042-1	322847-5	HANDLE BASE	X	1	*		
042-2	324062-7	HANDLE BASE	X	1			
043	414807-2	SIDE HANDLE		1	*		
043-1	418415-1	SIDE HANDLE	<	1			
044	941152-7	FLAT WASHER 6		4			
045	922341-3	HEX. SOCKET HEAD BOLT M6X25		4			
046	254001-2	WOODRUFF KEY 4		2			
047-1	931602-0	HEX. NUT M12		2			
048	942301-9	SPRING WASHER 12		2			
049	941301-6	FLAT WASHER 12		2			
050	322565-5	HANDLE SHAFT		1			
051	415148-9	NYLON BUSH 15		2			
052	316311-6	GEAR HOUSING COVER		1	*		
052-1	316792-4	GEAR HOUSING COVER	X	1			
053	211214-8	BALL BEARING 6302		1			
054	961060-6	RETAINING RING S-20		1			
055	226242-0	SPUR GEAR 47		1			
056	331416-1	SLEEVE 25		1			
057	962301-3	RETAINING RING R-62		1			
058	922331-6	HEX. SOCKET HEAD BOLT M6X20		4			
059	941152-7	FLAT WASHER 6		4			
060	414788-0	MOTOR HOUSING COVER		1	*		
060-1	419324-7	MOTOR HOUSING COVER	<	1			
061	322476-4	CONNECTING ROD		1			
062	213469-1	O RING 35		1			
063	257653-8	SLEEVE 8		1	*		
063-1	268061-8	PIN 15	O	1			
064	322480-3	PISTON CYLINDER		1			
065	213666-9	O RING 52		1			
066	322563-9	STRIKER		1			
067	262050-5	RUBBER RING 54		1			
068	322548-5	CYLINDER B		1			
069	213660-1	O RING 53		1			
070	922677-0	HEX. SOCKET BOLT M12X55		4			
071	942301-9	SPRING WASHER 12		4			
072	316313-2	CYLINDER A		1			
073	213805-1	O RING 85		1			
074	322560-5	RETAINER RING		2			

075	233050-2	COMPRESSION SPRING 13		2	*		
075-1	233083-7	COMPRESSION SPRING 12	O	2			
076	322477-2	TOOL RETAINER POLE		2			
077	256219-1	PIN 4		2			
078	322478-0	TOOL RETAINER		1	*		
078-1	324236-0	TOOL RETAINER	X	1			
079	322550-8	TOOL RETAINER SHAFT		1	*		
079-1	324238-6	TOOL RETAINER SHAFT	X	1			
080	951272-9	SPRING PIN 8-40		2			
081	265989-1	HEX. SOCKET BOLT M12X45		4			
082	253989-3	SPRING WASHER 12		4			
083	322551-6	TOOL HOLDER 29		1			
084	213755-0	O RING 75		1			
085	213517-6	X RING 40		1			
086	322564-7	IMPACT BOLT		1			
087	213667-7	O RING 60		1			
088	322549-3	IMPACT BOLT HOLDER		1			
089G 1	665883-1	POWER SUPPLY CORD 1.0-2-5.0		1			
090	682546-4	CORD GUARD 12-125		1			
091	922341-3	HEX. SOCKET HEAD BOLT M6X25		4	*		
091-1	922381-1	HEX. SOCKET HEAD BOLT M6X60	S	4			
092	941152-7	FLAT WASHER 6		4			
093-1	182553-2	HANDLE SET		1	*		
D10		INC. 104					
094	322481-1	HANDLE BASE		1	*		
094-1	322847-5	HANDLE BASE	X	1	*		
094-2	324062-7	HANDLE BASE	X	1			
095	233051-0	COMPRESSION SPRING 46		2	*		
095-1	233149-3	COMPRESSION SPRING 12	X	1			
096	953106-2	RIVET 0-5		4			
097	857090-2	NAME PLATE HM1800		1			
098	922356-0	HEX. SOCKET HEAD BOLT M6X35		3			
099	316312-4	REAR CASE		1			
100	256151-9	PIN 5		1			
102E_	687063-9	CORD CLAMP		1	*		
102E1	687052-4	STRAIN RELIEF	X	1			
103-1	265995-6	TAPPING SCREW 4X18		2			
104-1	182553-2	HANDLE SET		1	*		
D10		INC. 93					
105	911248-8	PAN HEAD SCREW M5X28		3	*		
106	685725-3	SPONGE SHEET		1			
107A_	645105-5	NOISE SUPPRESSOR		1			
108	651131-4	SWITCH C3D-15MS		1			
109	414046-4	SWITCH LEVER		1	*		
109-1	418332-5	SWITCH LEVER	S	1			
110	421330-0	DUST COVER		1	*		
111	341397-1	PLATE 50		1			
112	442009-0	PACKING 50		1			
113	911211-1	PAN HEAD SCREW M5X12		4			
114	421484-3	CUSHION RUBBER		1	*		
115	265995-6	TAPPING SCREW 4X18		2			

116	418331-7	SWITCH COVER		1		
117	418333-3	HANDLE		1		
118	421850-4	DUST PLATE		1		
119	256206-0	PIN 4		1		
120	345355-9	SUPPORT		1		
121	265995-6	TAPPING SCREW 4X18		2		
122	418334-1	HANDLE SUB BASE		1	*	
122-1	419044-3	HANDLE SUB BASE	O	1		
A01	783203-8	HEX. WRENCH 5		1		

Please state Parts No. when your order.

Print Date 22/11/2023