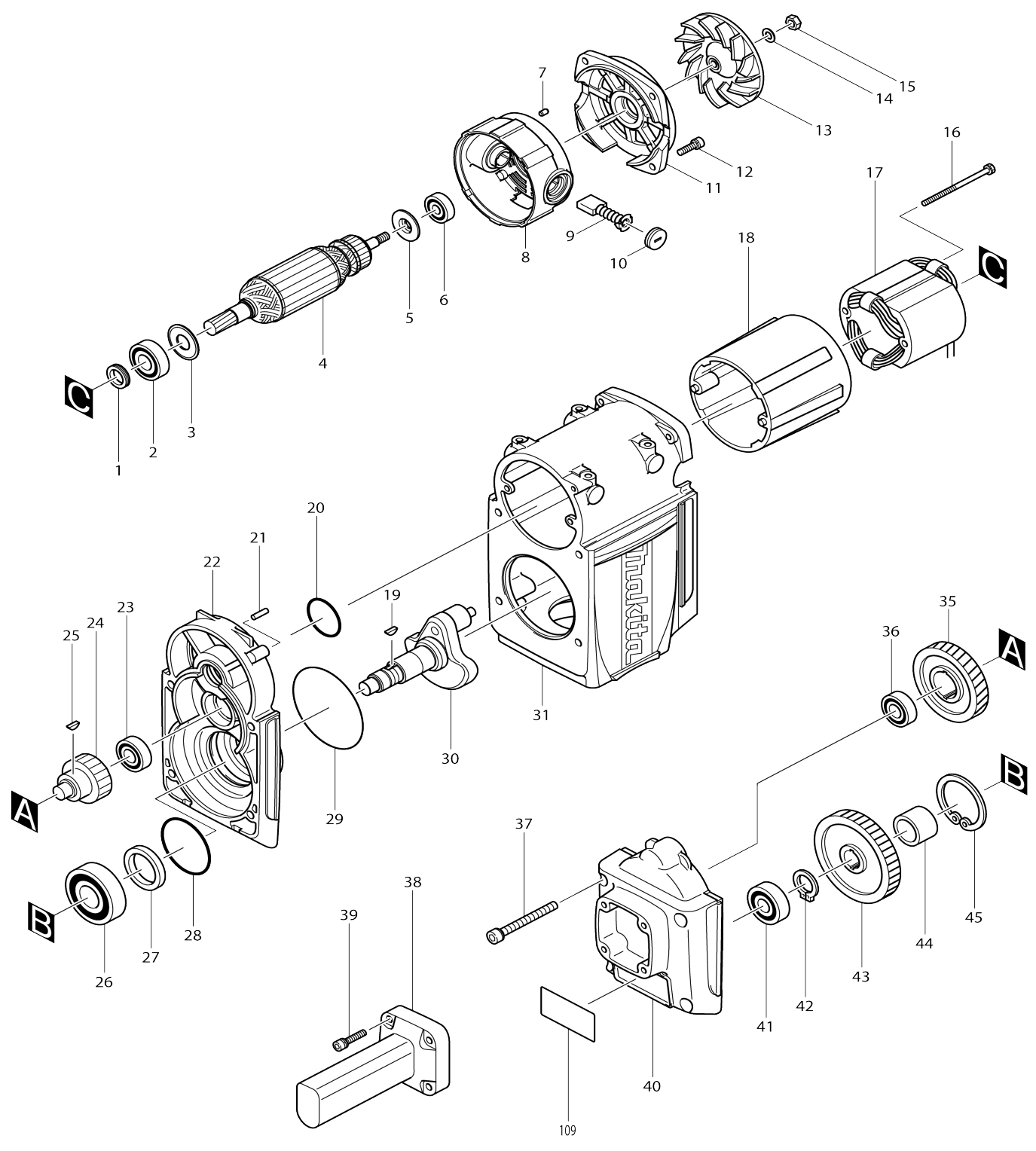
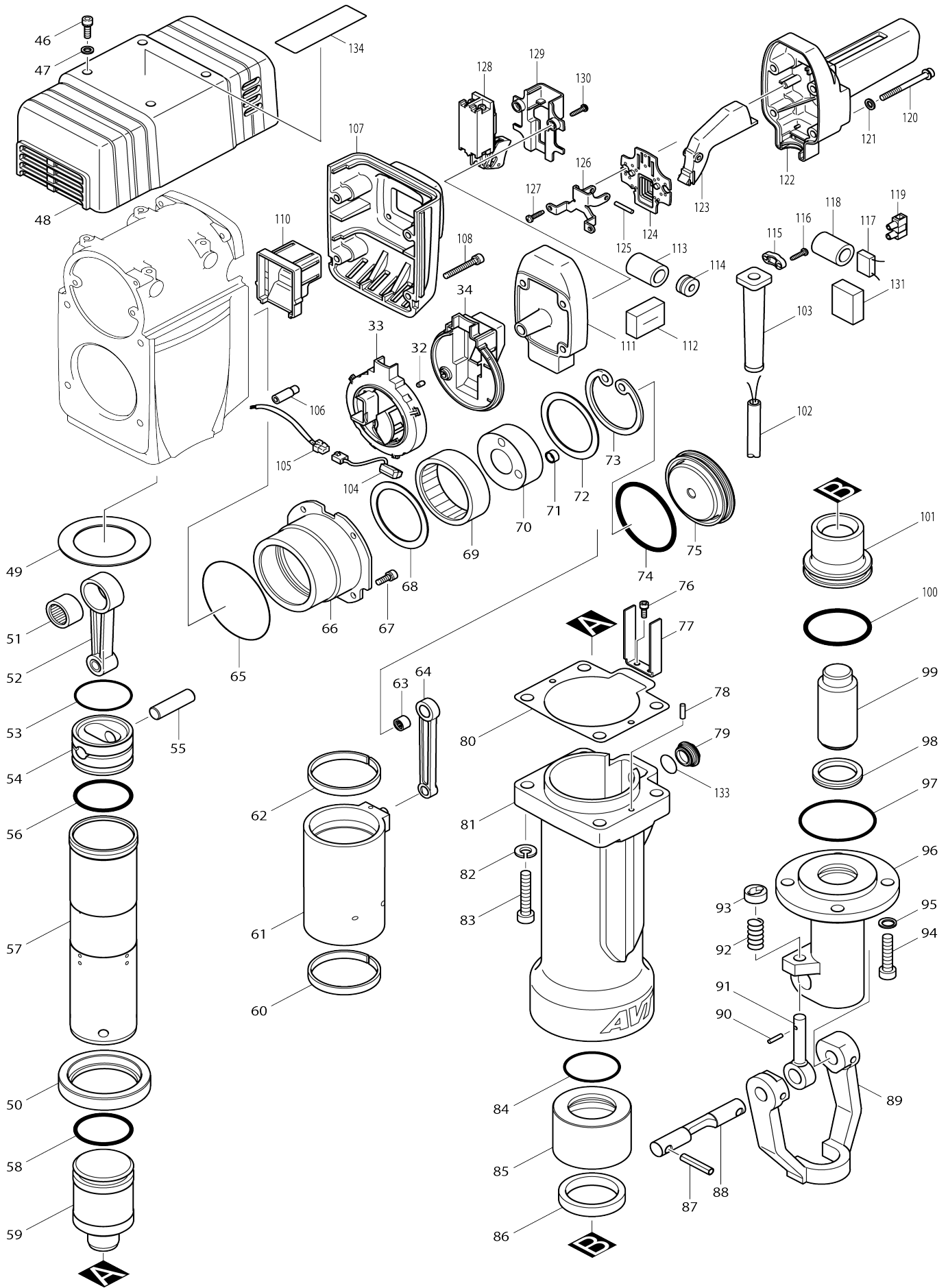


# Model No.HM1810 ELECTRIC BREAKER



# Model No.HM1810 ELECTRIC BREAKER



# Model No.HM1810 ELECTRIC BREAKER

Item No.	Parts No.	Description	Interc hang eabilit y	Q'ty	New/ Old	Note1	Note2
001	322566-3	SCREW SEAL		1			
002	211256-2	BALL BEARING 6203LLB		1			
003	267706-5	WASHER 17		1			
004	516922-9	ARMATURE ASS'Y 200-240V		1			
D10		INC. 1-3,5,6					
005	681646-7	INSULATION WASHER		1			
006	211066-7	BALL BEARING 6200LLB		1	*		
006-1	211087-9	BALL BEARING 6200DDW	<	1			
007	263002-9	RUBBER PIN 4		4			
008	154586-7	MOTOR HOUSING B COMPLETE		1			
C10	414665-6	FIX RING		2			
C20	643711-0	BRUSH HOLDER		2			
009	191957-7	A.C. CARBON BRUSH CB-204		1			
010	643710-2	BRUSH HOLDER CAP		2			
011	317899-9	BEARING BOX		1			
012	265366-7	HEX. SOCKET HEAD BOLT M6X22		4			
013	240024-6	FAN 100		1			
014	253165-9	FLAT WASHER 8		1			
015	931402-8	HEX. NUT M8		1			
016	265344-7	+ HEX. BOLT M5X85		2			
017	628943-0	FIELD 240V		1			
018	414787-2	MOTOR HOUSING A		1			
019	254001-2	WOODRUFF KEY 4		2			
020	213507-9	O RING 40		1			
021	256151-9	PIN 5		1			
022	154585-9	GEAR HOUSING COMPLETE		1			
D10		INC. 20,28					
023	211209-1	BALL BEARING 6202		1			
024	226251-9	SPUR GEAR 22		1			
025	254001-2	WOODRUFF KEY 4		2			
026	211361-5	BALL BEARING 6305LLB		1			
027	213476-4	OIL SEAL 35		1			
028	213721-7	O RING 61		1			
029	213806-9	O RING 90		1			
030	154588-3	CRANK SHAFT COMPLETE		1			
031	317903-4	CRANK HOUSING		1	*		
031-1	318027-9	CRANK HOUSING	S	1			
032	263002-9	RUBBER PIN 4		1			
033	418955-9	CRANK HOUSING CAP		1	*		
033-1	419262-3	CRANK HOUSING CAP	S	1			
034	418953-3	CAP COVER		1	*		
034-1	419263-1	CAP COVER	S	1			
035	221793-8	HELICAL GEAR 50		1			
036	211209-1	BALL BEARING 6202		1			
037	922496-4	HEX. SOCKET HEAD BOLT M8X75		4			
038	418415-1	SIDE HANDLE		1			
039	922353-6	HEX.SOCKET HEAD BOLT M6X30		4			

040	317902-6	GEAR HOUSING COVER		1		
041	211214-8	BALL BEARING 6302		1		
042	961060-6	RETAINING RING S-20		1		
043	226242-0	SPUR GEAR 47		1		
044	331416-1	SLEEVE 25		1		
045	962301-3	RETAINING RING R-62		1		
046	922331-6	HEX. SOCKET HEAD BOLT M6X20		4		
047	941152-7	FLAT WASHER 6		4		
048	183984-8	MOTOR HOUSING COVER SET		1	*	
D10		INC. 134				
048-1	419324-7	MOTOR HOUSING COVER	<	1		
049	267296-8	FLAT WASHER 63		1		
050	324580-5	SPACER		1		
051	212358-7	NEEDLE BEARING 2520		1		
052	322476-4	CONNECTING ROD		1		
053	213662-7	O RING 55		1		
054	324536-8	PISTON		1		
055	268130-5	PIN 15		1		
056	213666-9	O RING 52		1		
057	331694-3	CYLINDER LINER 62		1		
058	213666-9	O RING 52		1		
059	324546-5	STRIKER		1		
060	418949-4	SPACER 68		1		
061	154589-1	BALLANCER COMPLETE		1		
062	418949-4	SPACER 68		1		
063	212075-9	NEEDLE ROLLER BEARING 1010		1	*	
064	324535-0	CONNECTING ROD		1	*	
064-1	154946-3	CONNECTING ROD COMPLETE	S	1		
065	213855-6	O RING 95		1		
066	317900-0	CRANK BOX		1	*	
066-1	318028-7	CRANK BOX	<	1		
067	922331-6	HEX. SOCKET HEAD BOLT M6X20		4		
068	267297-6	FLAT WASHER 65		1		
069	212701-0	NEEDLE BEARING 7025		1		
070	154587-5	CRANK COMPLETE		1		
071	257267-3	RING 10		1	*	
071-1	331718-5	SPACER	S	1		
072	267297-6	FLAT WASHER 65		1		
073	962354-2	RETAINING RING R-80		1		
074	213765-7	O RING 78		1		
075	418952-5	STOPPER		1		
076	265908-7	HEX. SOCKET HEAD BOLT M5X16		2	*	
076-1	266464-0	HEX. SOCKET HEAD BOLT M5X20	S	2		
077	345569-0	PLATE		1		
078	256151-9	PIN 5		1		
079	324606-3	CAP		1	*	
079-1	450347-6	CAP	S	1		
080	162241-7	GASKET		1		
081	317905-0	BARREL		1	*	
081-1	318354-4	BARREL	S	1		
082	942301-9	SPRING WASHER 12		4		
083	922677-0	HEX. SOCKET BOLT M12X55		4		

084	213660-1	O RING 53		1		
085	322548-5	CYLINDER B		1		
086	262050-5	RUBBER RING 54		1		
087	951272-9	SPRING PIN 8-40		2		
088	324238-6	TOOL RETAINER SHAFT		1		
089	324236-0	TOOL RETAINER		1		
090	256219-1	PIN 4		2		
091	322477-2	TOOL RETAINER POLE		2		
092	233083-7	COMPRESSION SPRING 12		2		
093	322560-5	RETAINER RING		2		
094	265989-1	HEX. SOCKET BOLT M12X45		4		
095	253989-3	SPRING WASHER 12		4		
096	324539-2	TOOL HOLDER 29		1		
097	213755-0	O RING 75		1		
098	213517-6	X RING 40		1		
099	324545-7	IMPACT BOLT		1		
100	213667-7	O RING 60		1		
101	324541-5	IMPACT BOLT HOLDER		1		
102	695123-3	POWER SUPPLY CORD 1.5-2-4.0		1		
103	682546-4	CORD GUARD 12-125		1		
104	631671-8	PILOT LAMP		1		
105	638378-7	LEAD UNIT		1		
106	418951-7	LENS		1		
107	317901-8	REAR CASE		1		
108	922366-7	HEX. SOCKET HEAD BOLT M6X45		4		
109	861399-6	HM1810 NAME PLATE		1	*	
109-1	858582-8	HM1810 NAME PLATE	O	1		
110	418954-1	TOP COVER		1		
111	419044-3	HANDLE SUB BASE		1		
112	685700-9	SPONGE SHEET		1		
113	685722-9	SPONGE		1		
114	688131-1	LINE FILTER		1	*	
114-1	688131-1	LINE FILTER	O	1		
115	687053-2	STRAIN RELIEF		1		
116	265995-6	TAPPING SCREW 4X18		2		
117	645200-1	NOISE SUPPRESSOR		1		
118	685722-9	SPONGE		1		
119	654554-5	TERMINAL BLOCK		2		
120	265535-0	HEX.SOCKET HEAD BOLT M6X65		4		
121	941152-7	FLAT WASHER 6		4		
122	418333-3	HANDLE		1		
123	418332-5	SWITCH LEVER		1		
124	421850-4	DUST PLATE		1		
125	256206-0	PIN 4		1		
126	345355-9	SUPPORT		1		
127	265995-6	TAPPING SCREW 4X18		2		
128	651131-4	SWITCH C3D-15MS		1		
129	419045-1	SWITCH COVER		1		
130	265995-6	TAPPING SCREW 4X18		2		
131	685718-0	SPONGE SHEET		1		
133	213373-4	O RING 22		1	*	

133-1	213953-6	O RING 24	S	1		
134	819213-0	MAKITA LOGO LABEL		1	*	
135	265995-6	TAPPING SCREW 4X18		1		
136	424132-3	CAP RUBBER		2		
137	819352-6	CLEAR LABEL		1	*	
A01	783203-8	HEX. WRENCH 5		1		
B01	195205-6	HAMMER SERVICE KIT		1		
C10	181490-7	HAMMER GREASE 30G		2		
D10		INC. 9,56,58,84,98,100				
F08	197148-8	DUST EXTRACTOR ATTACHMENT SET		1		
F10	197168-2	DUST EXTRACTOR ATTACHMENT SET		1		

Please state Parts No. when your order.

Print Date 12/04/2023