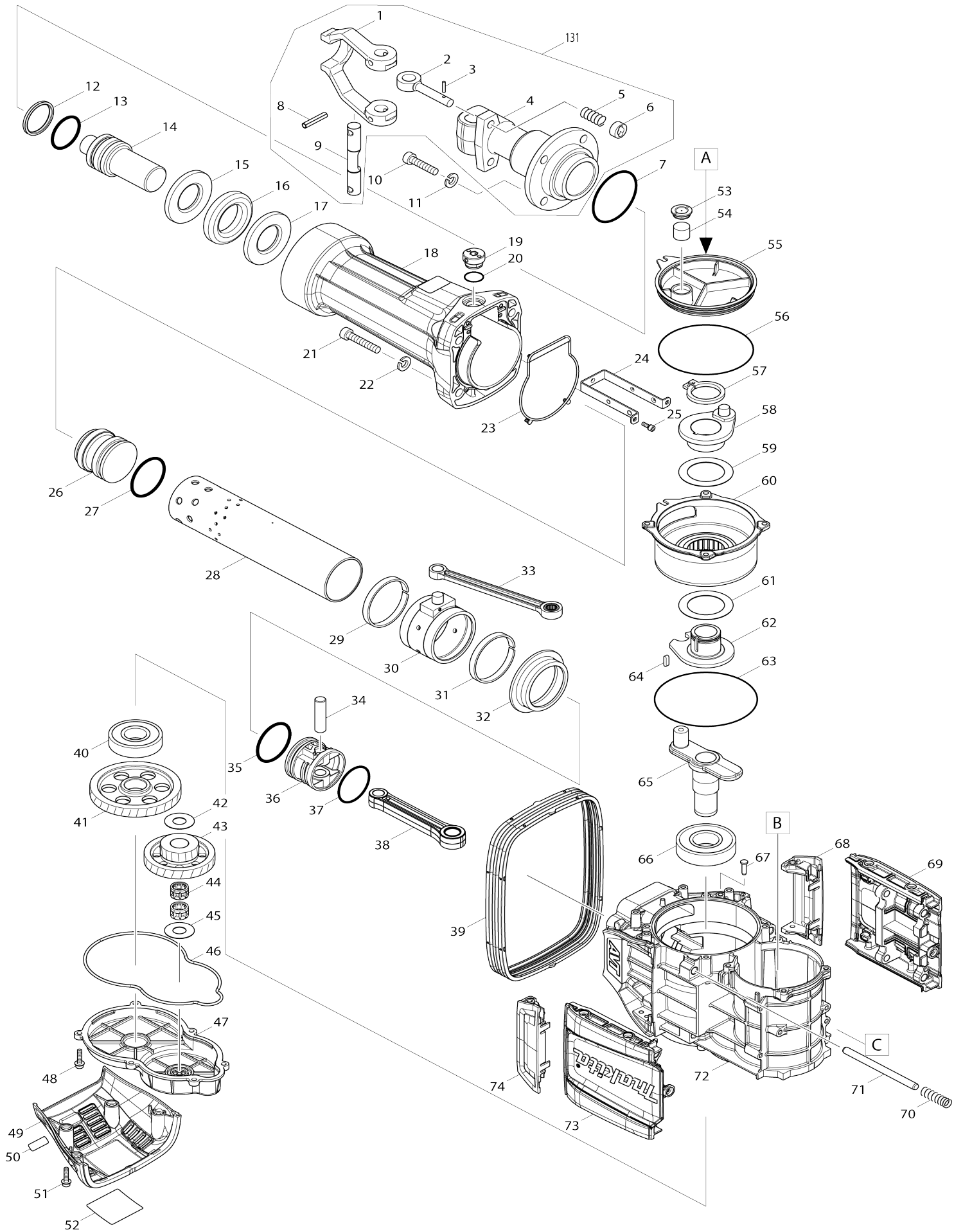
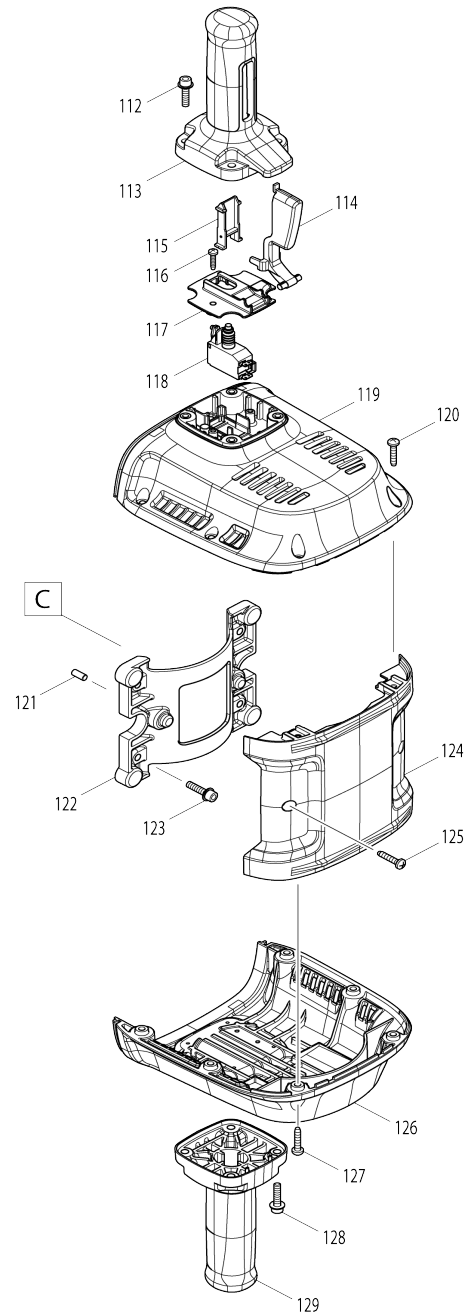
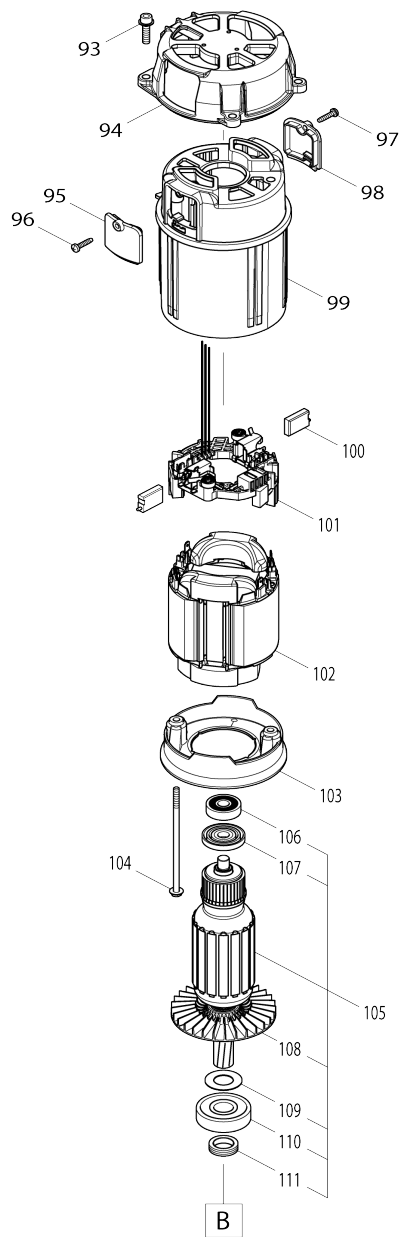
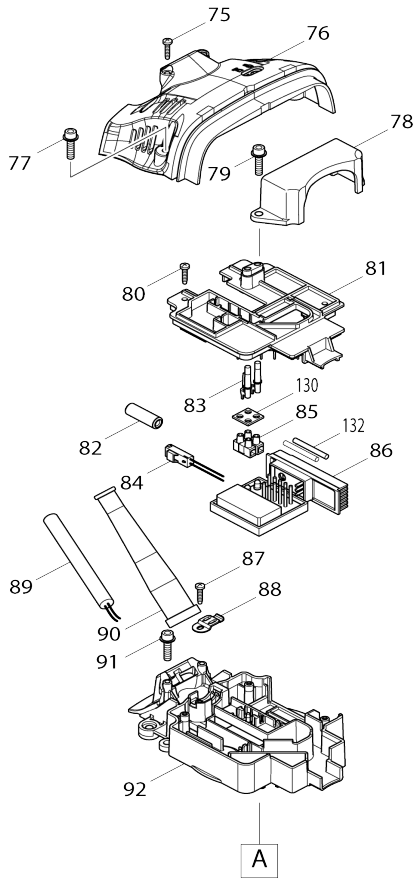


Model No.HM1812 ELECTRIC BREAKER



Model No.HM1812 ELECTRIC BREAKER



Model No.HM1812 ELECTRIC BREAKER

Item No.	Parts No.	Description	Interchangability	Q'ty	New/Old	Note1	Note2
001	324236-0	TOOL RETAINER		1			
002	322477-2	TOOL RETAINER POLE		2			
003	256219-1	PIN 4		2			
004	310616-6	TOOL HOLDER 29		1			
005	233083-7	COMPRESSION SPRING 12		2			
006	322560-5	RETAINER RING		2			
007	213757-6	O RING 80		1			
008	951272-9	SPRING PIN 8-40		2			
009	324238-6	TOOL RETAINER SHAFT		1			
010	265989-1	HEX. SOCKET BOLT M12X45		4			
011	942301-9	SPRING WASHER 12		4			
012	213797-4	X-RING 47		1			
013	213798-2	O-RING 47		1			
014	326469-3	IMPACT BOLT		1			
015	332127-1	WASHER 42		1			
016	262174-7	RUBBER RING 47		1			
017	332127-1	WASHER 42		1			
018	319218-5	BARREL		1			
019	450347-6	CAP		1			
020	213953-6	O RING 24		1			
021	922677-0	HEX. SOCKET BOLT M12X55		4			
022	942301-9	SPRING WASHER 12		4			
023	424666-6	SEAL RING A		1			
024	346840-5	PLATE		1			
025	266086-6	HEX. SOCKET HEAD BOLT M5X16		2	*		
025-1	266071-9	HEX. SOCKET HEAD BOLT M5X16	O	2			
026	326470-8	STRIKER		1			
027	213799-0	O-RING 56		1			
028	332130-2	CYLINDER LINER 66		1			
029	455492-2	SPACER 72		1			
030	123361-2	BALANCER ASSEMBLY		1			
D10		INC. 29,31					
031	455492-2	SPACER 72		1			
032	332131-0	SPACER		1			
033	142922-9	CONNECTING ROD COMPLETE		1			
034	268328-4	PIN 15 C		1			
035	213799-0	O-RING 56		1			
036	455509-1	PISTON		1			
037	213662-7	O RING 55		1			
038	455490-6	CONNECTING ROD		1			
039	424669-0	BELLOWS		1			
040	211151-6	BALL BEARING 6306LLB		1			
041	227797-8	HELICAL GEAR 57		1			
042	267290-0	FLAT WASHER 18		1			
043	226834-5	GEAR COMPLETE 23-59		1			
044	212099-5	NEEDLE CAGE 1816		2			
045	267290-0	FLAT WASHER 18		1			

046	424667-4	SEAL RING B	1		
047	455491-4	GEAR COVER	1		
048	266923-4	H.S.HEAD BOLT M6X25 WITH GM	6		
049	455500-9	SIDE COVER B	1		
050	850X57-3	HM1812 SERIAL NO. LABEL	1		
051	266923-4	H.S.HEAD BOLT M6X25 WITH GM	4		
052	850T96-9	HM1812 NAME PLATE	1		
053	424668-2	FILTER CAP	1		
054	443127-7	FILTER	1		
055	455493-0	STOPPER	1		
056	213810-8	O-RING 124	1		
057	961156-3	RETAINING RING S-40	1		
058	142921-1	CRANK COMPLETE	1		
059	267486-3	FLAT WASHER 50	1		
060	142952-0	CRANK BOX COMPLETE	1		
061	267486-3	FLAT WASHER 50	1		
062	310619-0	COUNTER SHAFT	1		
063	213902-3	O RING 135	1		
064	254220-0	KEY 5	1		
065	310618-2	CRANK SHAFT	1		
066	211500-7	BALL BEARING 6307LLU	1		
067	256559-7	FLAT FILLISTER HD PIN 6	4		
068	455506-7	HANDLE C	1		
069	455503-3	CENTER COVER	1		
070	234349-8	COMPRESSION SPRING 12A	4		
071	326471-6	ROD 10	4		
072	142919-8	CRANK HOUSING COMPLETE	1		
073	455503-3	CENTER COVER	1		
074	455506-7	HANDLE C	1		
075	265995-6	TAPPING SCREW 4X18	2		
076	455499-8	SIDE COVER A	1		
077	266923-4	H.S.HEAD BOLT M6X25 WITH GM	4		
078	455510-6	BRACKET	1		
079	266923-4	H.S.HEAD BOLT M6X25 WITH GM	2		
080	265995-6	TAPPING SCREW 4X18	3		
081	455495-6	CAP COVER	1		
082	688165-4	LINE FILTER	2		
083	455514-8	LENS	1		
084	632E02-4	LEAD UNIT	1		
085	654531-7	TERMINAL BLOCK 2P	1		
086	620365-0	CONTROLLER	1		
087	265995-6	TAPPING SCREW 4X18	1		
088	687169-3	STRAIN RELIEF	1		
089	695123-3	POWER SUPPLY CORD 1.5-2-4.0	1		
090	682560-0	CORD GUARD 10	1		
091	266923-4	H.S.HEAD BOLT M6X25 WITH GM	2		
092	455494-8	CRANK HOUSING CAP	1		
093	266923-4	H.S.HEAD BOLT M6X25 WITH GM	4		
094	319220-8	BEARING BOX	1		
095	455498-0	BRUSH HOLDER COVER	1		
096	265995-6	TAPPING SCREW 4X18	1		
097	265995-6	TAPPING SCREW 4X18	1		

098	455498-0	BRUSH HOLDER COVER		1		
099	455496-4	MOTOR HOUSING		1		
100	197129-2	CARBON BRUSH CB-218		1		
101	632E01-6	BRUSH HOLDER UNIT		1	*	
101-1	632L58-9	BRUSH HOLDER UNIT	<	1		
102	636409-6	FIELD 240V		1		
103	455497-2	BAFFLE PLATE		1		
104	266922-6	+ HEX. BOLT M5X120 WITH GM		2		
105	517914-1	ARMATURE ASS'Y 240V		1		
D10		INC. 106-111				
106	211087-9	BALL BEARING 6200DDW		1		
107	681630-2	INSULATION WASHER		1		
108	240156-9	FAN 90		1		
109	267487-1	FLAT WASHER 17		1		
110	211152-4	BALL BEARING 6303LLU		1		
111	332129-7	SEALING SCREW		1		
112	266923-4	H.S.HEAD BOLT M6X25 WITH GM		4		
113	455504-1	HANDLE A		1		
114	455508-3	SWITCH LEVER		1		
115	455511-4	SWITCH GUIDE		1		
116	265995-6	TAPPING SCREW 4X18		1		
117	455507-5	SWITCH COVER		1		
118	650738-3	SWITCH C3JW-C-P		1		
119	455502-5	HANDLE BASE A		1		
120	266041-8	TAPPING SCREW 5X25		6		
121	256269-6	PIN 6		2		
122	319222-4	BASE		1		
123	266923-4	H.S.HEAD BOLT M6X25 WITH GM		4		
124	455501-7	HEAD COVER		1		
125	266041-8	TAPPING SCREW 5X25		2		
126	455512-2	HANDLE BASE B		1		
127	266041-8	TAPPING SCREW 5X25		6		
128	266923-4	H.S.HEAD BOLT M6X25 WITH GM		4		
129	455505-9	HANDLE B		1		
130	685756-2	RUBBER SHEET		1		
131	135669-2	TOOL HOLDER ASS'Y		1		
D10		INC. 1-6,8,9				
132	684970-7	GLASS CLOTH TUBE 3.5-45		2	*	
132-1	684670-9	VARNISHED POLYESTER TUBE	O	2		
A01	783203-8	HEX. WRENCH 5		1		
A02	B-10372	28.6MM HEX SELF SHARPENING		1		
B01	197127-6	HAMMER SERVICE KIT		1		
C10	181490-7	HAMMER GREASE 30G		5		
D10		INC. 12,13,27,35,100				
E01	801S81-9	SOUND 110DB LABEL		1	*	
E01-1	801S45-3	SOUND 108DB LABEL	<	1		
F01	197148-8	DUST EXTRACTOR ATTACHMENT SET		1		
F02	197168-2	DUST EXTRACTOR ATTACHMENT SET		1		

Please state Parts No. when your order.

Print Date 01/29/2024