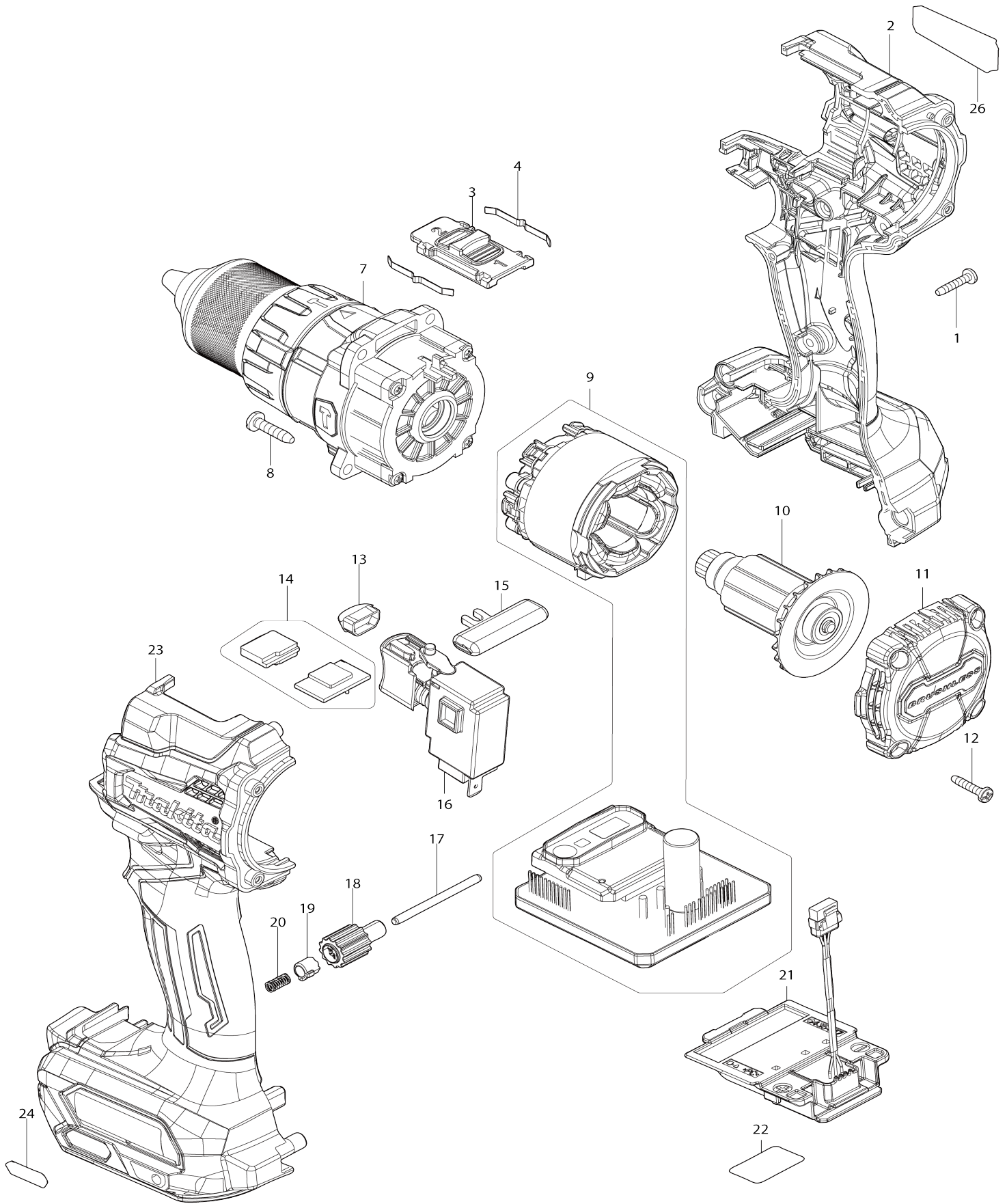


# Model No. HP001G CORDLESS HAMMER DRIVER DRILL



Model No.HP001G CORDLESS HAMMER DRIVER DRILL

| Item No. | Parts No. | Description                 | Interchangability | Q'ty | New/Old | Note1 | Note2 |
|----------|-----------|-----------------------------|-------------------|------|---------|-------|-------|
| 001      | 266130-9  | TAPPING SCREW BIND PT 3X16  |                   | 7    |         |       |       |
| 002      | 183N73-3  | HOUSING SET                 |                   | 1    | *       |       |       |
| C10      | 263005-3  | RUBBER PIN 6                |                   | 2    | *       |       |       |
| C20      | 252126-6  | HEX. LOCK NUT M4-7          |                   | 2    | *       |       |       |
| C30      | 422569-8  | SPONGE SHEET                |                   | 2    | *       |       |       |
| D10      |           | INC. 23                     |                   |      |         |       |       |
| 002-1    | 183S37-7  | HOUSING SET                 | O                 | 1    |         |       |       |
| C10      | 263005-3  | RUBBER PIN 6                |                   | 2    |         |       |       |
| C20      | 252126-6  | HEX. LOCK NUT M4-7          |                   | 2    |         |       |       |
| C30      | 422569-8  | SPONGE SHEET                |                   | 2    |         |       |       |
| D10      |           | INC. 23                     |                   |      |         |       |       |
| 003      | 127494-5  | SPEED CHANGE LEVER ASSEMBLY |                   | 1    |         |       |       |
| C10      | 233438-6  | COMPRESSION SPRING 4        |                   | 2    |         |       |       |
| 004      | 232220-0  | LEAF SPRING                 |                   | 2    |         |       |       |
| 007      | 136229-3  | KEYLESS DRILL CHUCK ASS'Y   |                   | 1    | *       |       |       |
| 007-1    | 136359-0  | KEYLESS DRILL CHUCK ASS'Y   | <                 | 1    | *       |       |       |
| C10      | 763252-1  | KEYLESS DRILL CHUCK 13      |                   | 1    | *       |       |       |
| C20      | 127727-8  | GEAR ASSEMBLY               |                   | 1    | *       |       |       |
| C30      | 251468-5  | - FLAT HEAD SCREW M6X22     |                   | 1    | *       |       |       |
| 007-2    | 136405-9  | KEYLESS DRILL CHUCK ASS'Y   | <                 | 1    |         |       |       |
| C10      | 763252-1  | KEYLESS DRILL CHUCK 13      |                   | 1    |         |       |       |
| C20      | 122A40-5  | GEAR ASSEMBLY               |                   | 1    |         |       |       |
| C30      | 251468-5  | - FLAT HEAD SCREW M6X22     |                   | 1    |         |       |       |
| 008      | 266326-2  | TAPPING SCREW 4X18          |                   | 4    |         |       |       |
| 009      | 629476-8  | STATOR COMPLETE             |                   | 1    |         |       |       |
| C10      | 8009H0-8  | SWITCH LABEL                |                   | 1    |         |       |       |
| 010      | 619613-2  | ROTOR                       |                   | 1    | *       |       |       |
| 010-1    | 619613-2  | ROTOR                       | O                 | 1    |         |       |       |
| 011      | 412361-0  | REAR COVER                  |                   | 1    |         |       |       |
| 012      | 266130-9  | TAPPING SCREW BIND PT 3X16  |                   | 4    |         |       |       |
| 013      | 620549-0  | LED CIRCUIT                 |                   | 1    |         |       |       |
| 014      | 620C81-2  | SENSOR CIRCUIT              |                   | 1    |         |       |       |
| 015      | 419041-9  | F/R CHANGE LEVER            |                   | 1    |         |       |       |
| 016      | 651443-5  | SWITCH C3JR-4B              |                   | 1    |         |       |       |
| 017      | 256949-4  | ROD 3                       |                   | 1    |         |       |       |
| 018      | 140R76-4  | DIAL COMPLETE               |                   | 1    |         |       |       |
| 019      | 313288-6  | DIAL CAM                    |                   | 1    |         |       |       |
| 020      | 232597-3  | COMPRESSION SPRING 3        |                   | 1    |         |       |       |
| 021      | 632P49-4  | TERMINAL UNIT               |                   | 1    |         |       |       |
| 022      | 856S98-7  | HP001G SERIAL NO. LABEL     |                   | 1    |         |       |       |
| 023      | 183N73-3  | HOUSING SET                 |                   | 1    | *       |       |       |
| C10      | 263005-3  | RUBBER PIN 6                |                   | 2    | *       |       |       |
| C20      | 252126-6  | HEX. LOCK NUT M4-7          |                   | 2    | *       |       |       |
| C30      | 422569-8  | SPONGE SHEET                |                   | 2    | *       |       |       |
| D10      |           | INC. 2                      |                   |      |         |       |       |
| 023-1    | 183S37-7  | HOUSING SET                 | O                 | 1    |         |       |       |
| C10      | 263005-3  | RUBBER PIN 6                |                   | 2    |         |       |       |

|       |           |                                 |   |   |   |  |
|-------|-----------|---------------------------------|---|---|---|--|
| C20   | 252126-6  | HEX. LOCK NUT M4-7              |   | 2 |   |  |
| C30   | 422569-8  | SPONGE SHEET                    |   | 2 |   |  |
| D10   |           | INC. 2                          |   |   |   |  |
| 024   | 8007R2-2  | XGT LOGO LABEL                  |   | 1 |   |  |
| 026   | 856S91-1  | HP001G NAME PLATE               |   | 1 |   |  |
| A01   | 127551-9  | GRIP ASSEMBLY                   |   | 1 | * |  |
| C10   | 140S65-5  | ARM R COMPLETE                  |   | 1 | * |  |
| C20   | 140S66-3  | POLE COMPLETE                   |   | 1 | * |  |
| C30   | 266886-4  | HEX. BOLT M8X65                 |   | 1 | * |  |
| C40   | 319966-6  | ARM L                           |   | 1 | * |  |
| C50   | 962055-2  | RETAINING RING (INT) R-15       |   | 1 | * |  |
| C60   | 265785-7  | THUMB SCREW M5X10               |   | 1 | * |  |
| C70   | 931202-6  | HEX. NUT M5                     |   | 1 | * |  |
| A01-1 | 122D08-9  | GRIP ASSEMBLY                   | O | 1 |   |  |
| C10   | 140S65-5  | ARM R COMPLETE                  |   | 1 |   |  |
| C20   | 140S66-3  | POLE COMPLETE                   |   | 1 |   |  |
| C30   | 266886-4  | HEX. BOLT M8X65                 |   | 1 |   |  |
| C40   | 319966-6  | ARM L                           |   | 1 |   |  |
| C50   | 962055-2  | RETAINING RING (INT) R-15       |   | 1 |   |  |
| C60   | 265C34-0  | THUMB SCREW M5X10               |   | 1 |   |  |
| C70   | 931202-6  | HEX. NUT M5                     |   | 1 |   |  |
| A02   | 251314-2  | + SCREW M4X12                   |   | 2 |   |  |
| A03   | 346317-0  | HOOK                            |   | 1 |   |  |
| A04   | 784637-8  | + - BIT 2-45                    |   | 2 |   |  |
| A05   | 452947-8  | BIT HOLDER                      |   | 1 |   |  |
| A06   | 122576-8  | STOPPER POLE ASS'Y              |   | 1 |   |  |
| A07   | 412393-7  | BATTERY COVER                   |   | 1 |   |  |
| A08   | ***DC40RA | DC40RA FAST CHARGER             |   | 1 |   |  |
| D10   |           | COMPO-PARTS                     |   |   |   |  |
| A09   | 191B36-3  | BATTERY BL4025 SET              |   | 2 |   |  |
| A10   | 821551-8  | CONNECTOR PLASTIC CASE (TYP E3) |   | 1 |   |  |
| C10   | 453974-8  | LATCH                           |   | 4 |   |  |
| A11   | 835F93-2  | INNER TRAY                      |   | 1 |   |  |
| A12   | 8010K2-4  | HP001GD201 INDICATION LABEL     |   | 1 |   |  |
| A13   | 8010K3-2  | HP001GD201 PLASTIC CASE LABEL   |   | 2 |   |  |
| A09   | 191B26-6  | BATTERY BL4040 SET              |   | 2 |   |  |
| A12   | 8010L2-1  | HP001GM201 INDICATION LABEL     |   | 1 |   |  |
| A13   | 8010L3-9  | HP001GM201 PLASTIC CASE LABEL   |   | 2 |   |  |

Please state Parts No. when your order.

Print Date 24.10.2023