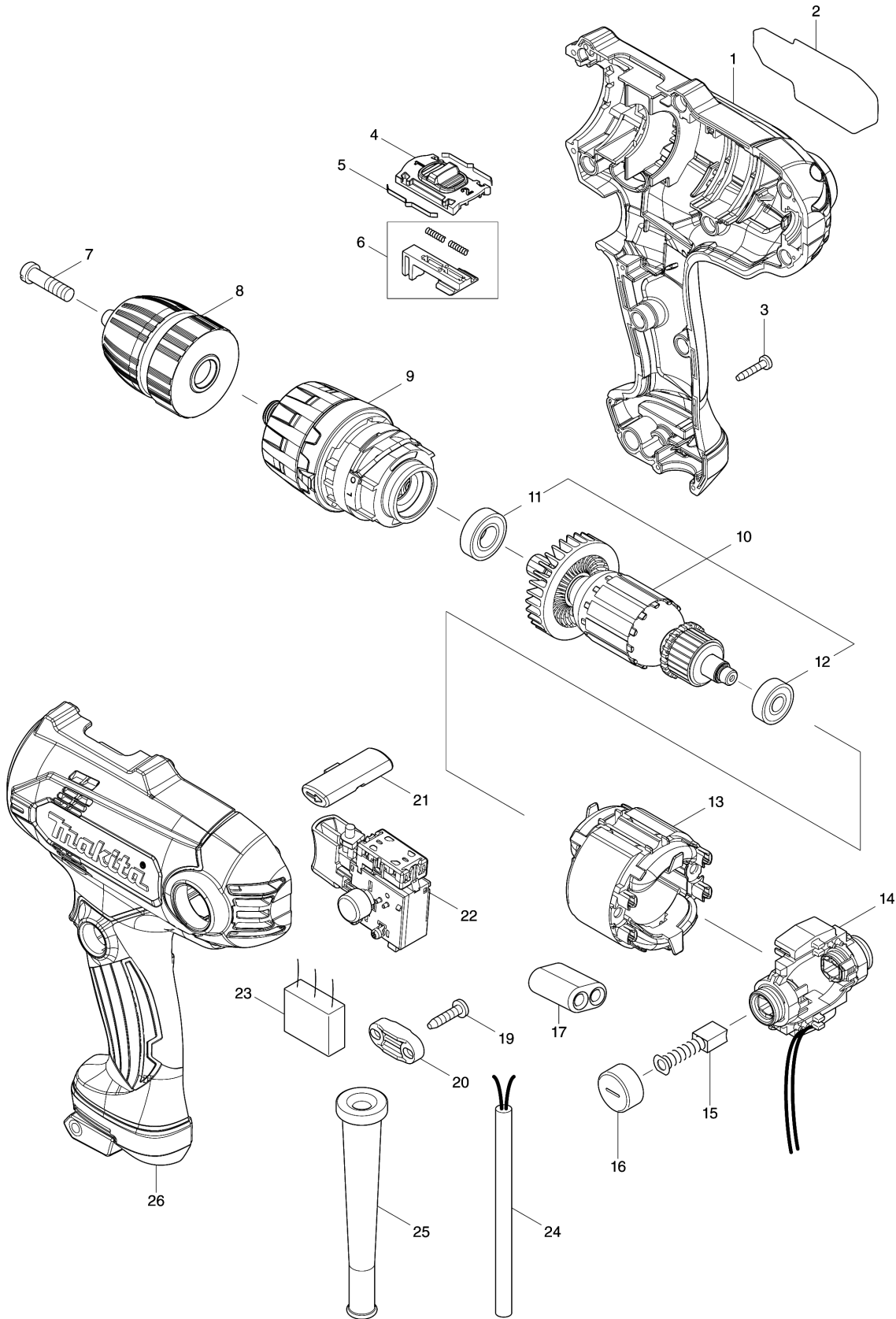


Model No.HP0300 HAMMER DRIVER DRILL



Model No.HP0300 HAMMER DRIVER DRILL

| Item | Parts No. | Description | I/C | Qty | New/Old | Opt. 1 | Opt. 2 | Note |
|-------|-----------|-----------------------------|-----|-----|---------|--------|--------|------|
| 001 | 183M32-1 | HOUSING SET | | 1 | | | | |
| C10 | 263002-9 | RUBBER PIN 4 | | 4 | | | | |
| C20 | 252126-6 | HEX. LOCK NUT M4-7 | | 2 | | | | |
| D10 | | INC. 26 | | | | | | |
| 002 | 856B55-3 | HP0300 NAME PLATE | | 1 | | | | |
| 003 | 266429-2 | TAPPING SCREW 3X16 | | 9 | | | | |
| 004 | 459026-3 | SPEED CHANGE LEVER | | 1 | * | | | |
| 004-1 | 413F37-8 | SPEED CHANGE LEVER | O | 1 | | | | |
| 005 | 232493-5 | LEAF SPRING | | 2 | | | | |
| 006 | 127357-5 | CHANGE LEVER ASSEMBLY | | 1 | | | | |
| C10 | 233025-1 | COMPRESSION SPRING 2 | | 2 | | | | |
| 007 | 251468-5 | - FLAT HEAD SCREW M6X22 | | 1 | | | | |
| 008 | 766012-0 | KEYLESS DRILL CHUCK 10 | | 1 | | | | |
| 009 | 127355-9 | GEAR ASSEMBLY | | 1 | | | | |
| 010 | 517999-7 | ARMATURE ASS'Y 240V | | 1 | | | | |
| D10 | | INC. 11,12 | | | | | | |
| 011 | 210069-8 | BALL BEARING 6900DDW | | 1 | | | | |
| 012 | 210062-2 | BALL BEARING 607ZZ | | 1 | | | | |
| 013 | 634738-1 | FIELD | | 1 | | | | |
| 014 | 632P52-5 | HOLDER ARM UNIT | | 1 | | | | |
| 015 | 191940-4 | CARBON BRUSH CB-411 | | 1 | | | | |
| 016 | 643928-5 | BRUSH HOLDER CAP | | 2 | | | | |
| 019 | 266326-2 | TAPPING SCREW 4X18 | | 2 | | | | |
| 020 | 687124-5 | STRAIN RELIEF | | 1 | | | | |
| 021 | 457210-4 | F/R CHANGE LEVER | | 1 | | | | |
| 022 | 651393-4 | SWITCH DGQ-1104H-01 | | 1 | | | | |
| 023 | 632N91-3 | CAPACITOR UNIT | | 1 | | | | |
| 024 | 665394-6 | POWER SUPPLY CORD 1.0-2-2.5 | | 1 | | | | |
| 025 | 682559-5 | CORD GUARD 8 | | 1 | | | | |
| 026 | 183M32-1 | HOUSING SET | | 1 | | | | |
| C10 | 263002-9 | RUBBER PIN 4 | | 4 | | | | |
| C20 | 252126-6 | HEX. LOCK NUT M4-7 | | 2 | | | | |
| D10 | | INC. 1 | | | | | | |
| A01 | 784637-8 | +-- BIT 2-45 | | 1 | | | | |

Please order the parts with part number.

Print Date 24/10/2023