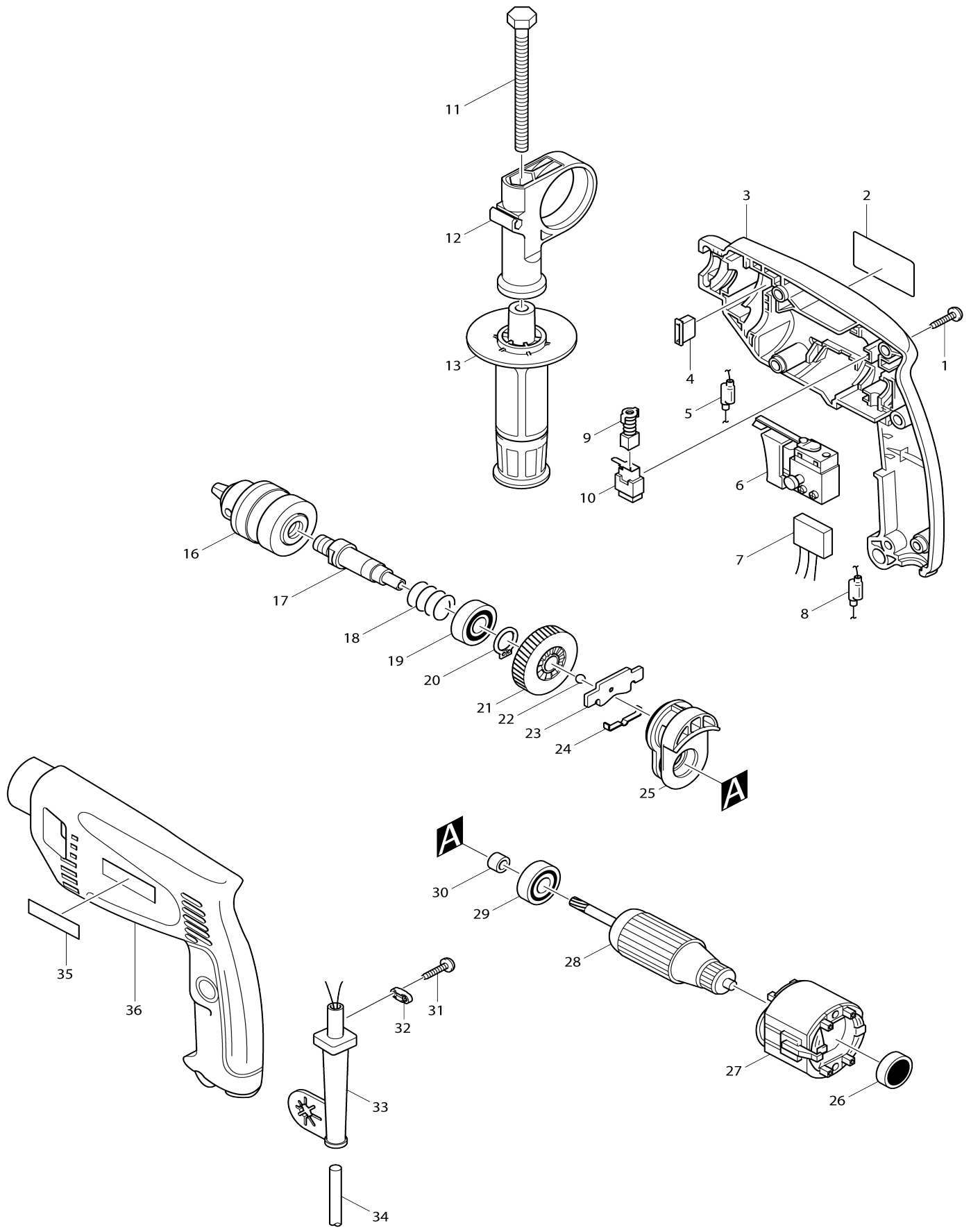


Model No.HP1500 HAMMER DRILL 15MM



Model No.HP1500 HAMMER DRILL 15MM

Item No.	Parts No.	Description	Interchangability	Q'ty	New/Old	Note1	Note2
001-1	266121-0	TAPPING SCREW FLANGE PF 4X18		8	*		
001-2	265995-6	TAPPING SCREW 4X18	O	8			
002-1	858216-9	NAME PLATE HP1500		1			
003	182730-6	HOUSING SET		1	*		
D10		INC. 35,36					
003-1	182841-7	HOUSING SET	X	1	*		
D10		INC. 35,36					
004	415453-4	CHANGE BUTTON		2			
005	646068-8	CHOKE COIL		1			
006-1	651952-4	SWITCH 8653C721AD 200V-240V		1	*		
006-2	651987-5	SWITCH	X	1	*		
006-3	651987-5	SWITCH	X	1	*		
006-4	651986-7	SWITCH TG803TLB-1	O	1	*		
006-5	651986-7	SWITCH TG803TLB-1	X	1			
007	645256-4	NOISE SUPPRESSOR		1	*		
007-1	645144-5	NOISE SUPPRESSOR	O	1			
008	646065-4	CHOKE COIL		1	*		
008-1	646092-1	CHOKE COIL	O	1			
009	191962-4	CARBON BRUSH CB-419		1	*		
009-1	195015-1	CARBON BRUSH SET CB-419	O	1			
010	643923-5	BRUSH HOLDER		2	*		
010-1	643936-6	BRUSH HOLDER	O	2			
011	921919-9	HEX. BOLT M8X110		1	*		
011-1	921923-8	HEX. BOLT M8X120	O	1			
012	415485-1	GRIP BASE		1			
013	152489-9	GRIP 36 COMPLETE		1			
016	763114-3	DRILL CHUCK S13		1	*		
016-1	763115-1	DRILL CHUCK S13	X	1	*		
016-2	763142-8	DRILL CHUCK S13	O	1	*		
016-3	766016-2	DRILL CHUCK S13	O	1			
017	322900-7	SPINDLE		1	*		
017-1	322900-7	SPINDLE	X	1	*		
017-2	323757-9	SPINDLE	X	1			
018	233091-8	COMPRESSION SPRING 16		1			
019	211201-7	BALL BEARING 6002LLB		1			
020	961055-9	RETAINING RING S-15		1			
021	226423-6	HELICAL GEAR 41		1			
022	216002-8	STEEL BALL 4.8		1	*		
022-1	216001-0	STEEL BALL 3.5	X	1			
023	344112-2	CHANGE PLATE		1	*		
023-1	344419-6	CHANGE PLATE	X	1			
024	232134-3	LEAF SPRING		1			
025	152473-4	CAM HOLDER COMPLETE		1	*		
025-1	152529-3	CAM HOLDER COMPLETE	X	1			
026	211028-5	BALL BEARING 627LB		1			
027C_	633303-3	FIELD 220V		1			
028C_	517108-8	ARMATURE ASS'Y 220-240V		1			

C10	241869-5	FAN 55		1	*		
C11	240067-8	FAN 55	X	1			
D10		INC. 26,29					
029	211033-2	BALL BEARING 608LB		1			
030	262528-8	SLEEVE 7		1			
031-1	266121-0	TAPPING SCREW FLANGE PF 4X18		2	*		
031-2	265995-6	TAPPING SCREW 4X18	O	2			
032B_	687063-9	CORD CLAMP		1			
033	682549-8	CORD GUARD 8-85		1			
034F1	666053-5	POWER SUPPLY CORD 1.0-2-2.0		1			
035	819063-3	MAKITA LABEL		1			
036	182730-6	HOUSING SET		1	*		
D10		INC. 3,35					
036-1	182841-7	HOUSING SET	X	1	*		
D10		INC. 3,35					
037	256251-5	PIN 4		1			
A01	763430-3	CHUCK KEY S13		1	*		
A01-1	763440-0	CHUCK KEY S13	O	1	*		
A01-2	763448-4	CHUCK KEY S13	O	1	*		
A01-3	763430-3	CHUCK KEY S13	O	1			
A02	415486-9	DEPTH GAUGE		1			
E03	182766-5	PLASTIC CARRYING CASE		1	*		
E03-1	824724-2	PLASTIC CARRYING CASE	O	1	*		
C10	183091-7	SLIDE LATCH RL SET		1	*		
E03-2	824923-6	PLASTIC CARRYING CASE	O	1			
C10	183091-7	SLIDE LATCH RL SET		1			
E08	824622-0	PLASTIC CARRYING CASE		1			
C10	417692-2	LATCH		2			
A03	193290-3	DRILL BIT SET		1			

Please state Parts No. when your order.

Print Date 24.10.2023