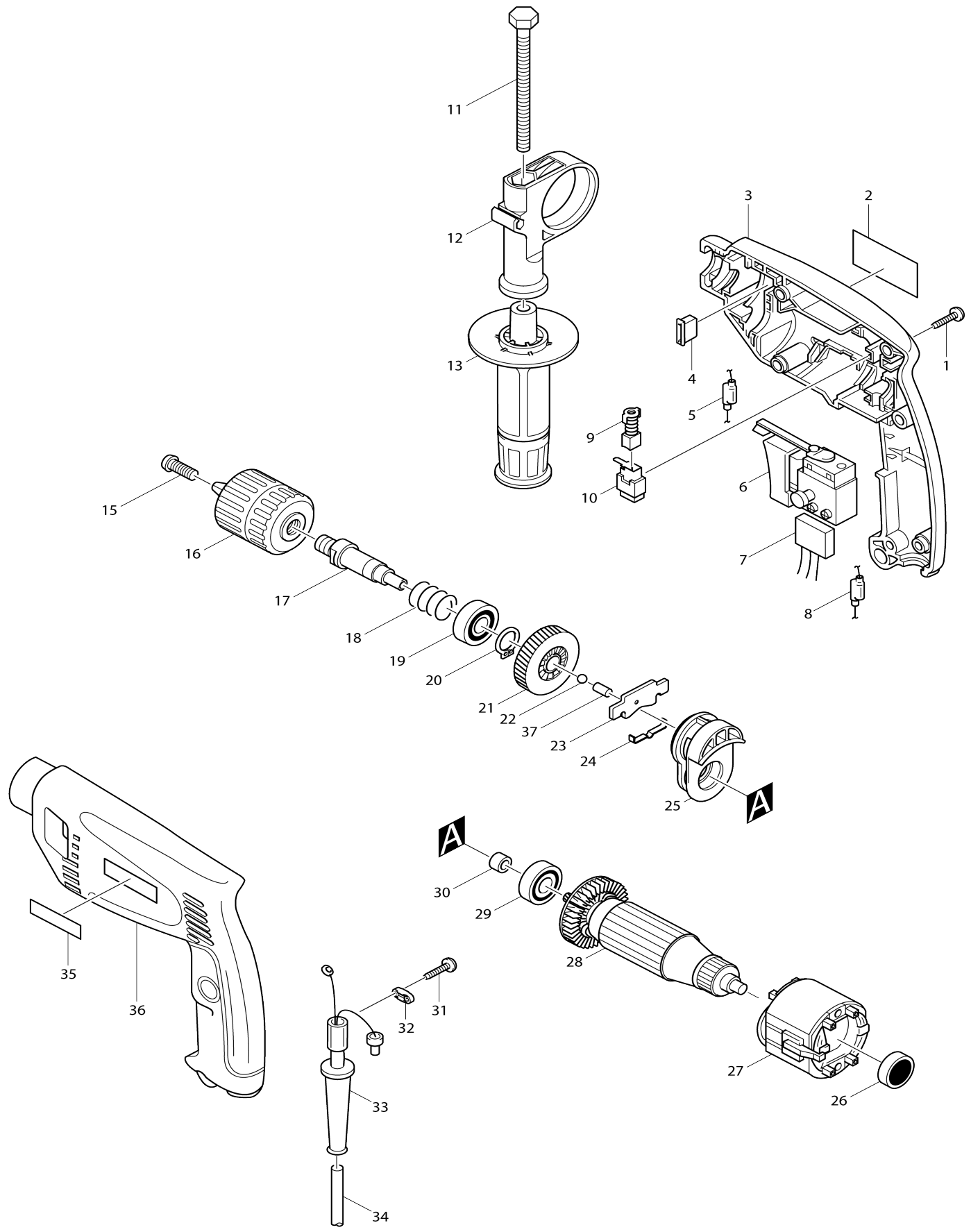


Model No.HP1501 HAMMER DRILL 15MM



Model No.HP1501 HAMMER DRILL 15MM

Item No.	Parts No.	Description	Interchangability	Q'ty	New/Old	Note1	Note2
001-1	266121-0	TAPPING SCREW FLANGE PF 4X18		8	*		
001-2	265995-6	TAPPING SCREW 4X18	O	8			
002-1	858217-7	NAME PLATE HP1501		1			
003	182730-6	HOUSING SET		1	*		
D10		INC. 35,36					
003-1	182841-7	HOUSING SET	X	1	*		
D10		INC. 35,36					
004	415453-4	CHANGE BUTTON		2			
005	646068-8	CHOKE COIL		1			
006	651931-2	SWITCH 35-90 200V-240V		1	*		
006-1	651952-4	SWITCH 8653C721AD 200V-240V	O	1	*		
006-2	651987-5	SWITCH	X	1	*		
006-3	651987-5	SWITCH	X	1	*		
006-4	651986-7	SWITCH TG803TLB-1	O	1	*		
006-5	651986-7	SWITCH TG803TLB-1	X	1			
007	645256-4	NOISE SUPPRESSOR		1	*		
007-1	645144-5	NOISE SUPPRESSOR	O	1			
008	646065-4	CHOKE COIL		1	*		
008-1	646092-1	CHOKE COIL	O	1			
009	191962-4	CARBON BRUSH CB-419		1	*		
009-1	195015-1	CARBON BRUSH SET CB-419	O	1			
010	643923-5	BRUSH HOLDER		2	*		
010-1	643936-6	BRUSH HOLDER	O	2			
011	921919-9	HEX. BOLT M8X110		1	*		
011-1	921923-8	HEX. BOLT M8X120	O	1			
012	415485-1	GRIP BASE		1			
013	152489-9	GRIP 36 COMPLETE		1			
016	763116-9	KEYLESS DRILL CHUCK 13		1	*		
016-1	763133-9	KEYLESS DRILL CHUCK 13	X	1	*		
016-2	192692-0	KEYLESS DRILL CHUCK	O	1	*		
016-3	196564-1	KEYLESS DRILL CHUCK	O	1	*		
016-4	196193-0	KEYLESS DRILL CHUCK	<	1			
017	322674-0	SPINDLE		1	*		
017-1	322900-7	SPINDLE	S	1	*		
017-2	323757-9	SPINDLE	X	1			
018	233091-8	COMPRESSION SPRING 16		1			
019	211201-7	BALL BEARING 6002LLB		1			
020	961055-9	RETAINING RING S-15		1			
021	226423-6	HELICAL GEAR 41		1			
022	216002-8	STEEL BALL 4.8		1	*		
022-1	216001-0	STEEL BALL 3.5	X	1			
023	344112-2	CHANGE PLATE		1	*		
023-1	344419-6	CHANGE PLATE	S	1			
024	232134-3	LEAF SPRING		1			
025	152473-4	CAM HOLDER COMPLETE		1	*		
025-1	152529-3	CAM HOLDER COMPLETE	X	1			
026	211028-5	BALL BEARING 627LB		1			

027	633303-3	FIELD 220V		1		
028	517108-8	ARMATURE ASS'Y 220-240V		1		
C10	241869-5	FAN 55		1	*	
C11	240067-8	FAN 55	X	1		
D10		INC. 26,29				
029	211033-2	BALL BEARING 608LB		1		
030	262528-8	SLEEVE 7		1		
031-1	266121-0	TAPPING SCREW FLANGE PF 4X18		2	*	
031-2	265995-6	TAPPING SCREW 4X18	O	2		
032	687063-9	CORD CLAMP		1		
033	682502-4	CORD GUARD 8-85		1		
034-1	666053-5	POWER SUPPLY CORD 1.0-2-2.0		1		
035	819063-3	MAKITA LABEL		1		
036	182730-6	HOUSING SET		1	*	
D10		INC. 3,35				
036-1	182841-7	HOUSING SET	X	1	*	
D10		INC. 3,35				
037	256251-5	PIN 4		1		
A01	415486-9	DEPTH GAUGE		1		
E03	182766-5	PLASTIC CARRYING CASE		1	*	
E03-1	824724-2	PLASTIC CARRYING CASE	O	1	*	
C10	183091-7	SLIDE LATCH RL SET		1	*	
E03-2	824923-6	PLASTIC CARRYING CASE	O	1		
C10	183091-7	SLIDE LATCH RL SET		1		
E04	824622-0	PLASTIC CARRYING CASE		1		
C10	417692-2	LATCH		2		
A02	193290-3	DRILL BIT SET		1		

Please state Parts No. when your order.

Print Date 24.10.2023