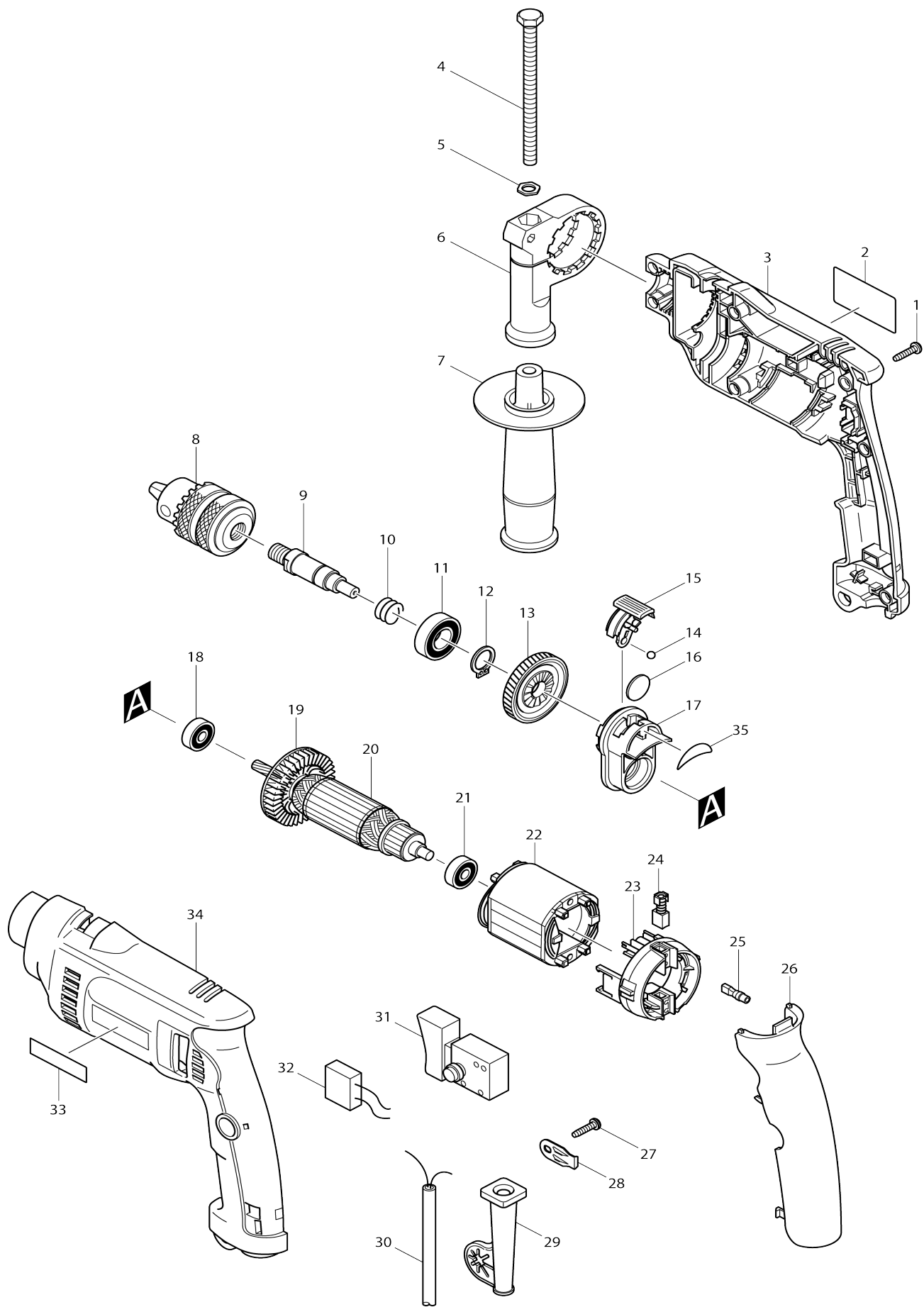


Model No.HP1620 HAMMER DRILL 16MM



Model No.HP1620 HAMMER DRILL 16MM

Item No.	Parts No.	Description	Interchangability	Q'ty	New/Old	Note1	Note2
001	265995-6	TAPPING SCREW 4X18		7			
002	850755-5	NAME PLATE HP1620		1			
003	183711-3	HOUSING SET		1			
C10	345399-9	PLATE		2			
D10		INC. 33,34					
004	921923-8	HEX. BOLT M8X120		1	*		
004-1	265583-9	HEX. BOLT M8X120	O	1			
005	345280-4	HEX. WASHER		1			
006	417630-4	GRIP BASE		1			
007	152489-9	GRIP 36 COMPLETE		1			
008	192541-1	DRILL CHUCK S13		1	*		
008-1	196008-1	DRILL CHUCK S13	O	1	*		
008-2	196655-8	DRILL CHUCK SET	O	1	*		
008-3	196008-1	DRILL CHUCK S13	O	1			
009	324397-6	SPINDLE		1			
010	233389-3	COMPRESSION SPRING 15		1			
011	211201-7	BALL BEARING 6002LLB		1			
012	961055-9	RETAINING RING S-15		1			
013	226579-5	HELICAL GEAR 45		1			
014	216018-3	STEEL BALL 5.0		1			
015	418319-7	CHANGE LEVER		1			
016	345354-1	PLATE 19		1			
017-1	153831-7	CAM HOLDER COMPLETE		1	*		
017-2	141165-0	CAM HOLDER COMPLETE	<	1			
018	210023-2	BALL BEARING 627DDW		1			
019	240067-8	FAN 55		1			
020	517458-1	ARMATURE ASS'Y 220-240V		1			
D10		INC. 18,19,21					
021-1	211028-5	BALL BEARING 627LB		1			
022	633568-7	FIELD 220-240V		1			
023	638237-5	BRUSH HOLDER UNIT		1			
024	191962-4	CARBON BRUSH CB-419		1			
025	686038-5	RECEPTACLE SLEEVE		2			
026	418320-2	HANDLE COVER		1			
027	265995-6	TAPPING SCREW 4X18		1			
028	687169-3	STRAIN RELIEF		1			
029	682549-8	CORD GUARD 8-85		1			
030	666053-5	POWER SUPPLY CORD 1.0-2-2.0		1			
031	650543-8	SWITCH TG843TB-1		1			
032	645146-1	NOISE SUPPRESSOR		1			
033	819063-3	MAKITA LABEL		1			
034	183711-3	HOUSING SET		1			
C10	345399-9	PLATE		2			
D10		INC. 3,33					
A01	763440-0	CHUCK KEY S13		1	*		
A01-1	763448-4	CHUCK KEY S13	X	1	*		
A01-2	763430-3	CHUCK KEY S13	O	1			

A02	324219-0	DEPTH GAUGE		1			
-----	----------	-------------	--	---	--	--	--

Please state Parts No. when your order.

Print Date 11/16/2023