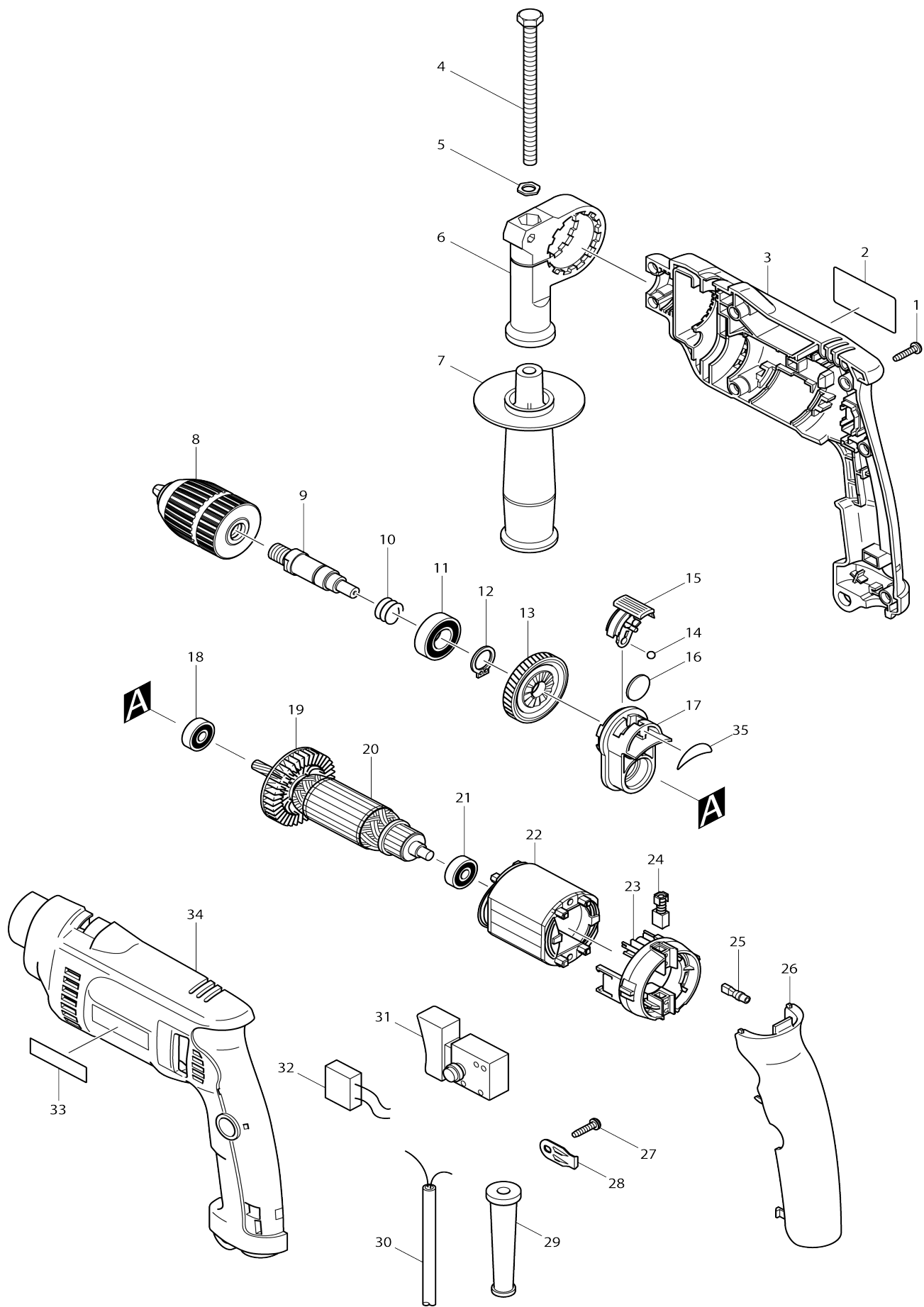


Model No.HP1621 HAMMER DRILL 16MM



Model No.HP1621 HAMMER DRILL 16MM

Item No.	Parts No.	Description	Interchangability	Q'ty	New/Old	Note1	Note2
001	265995-6	TAPPING SCREW 4X18		7			
002	850776-7	NAME PLATE HP1621		1			
003	183711-3	HOUSING SET		1			
C10	345399-9	PLATE		2			
D10		INC. 33,34					
004	921923-8	HEX. BOLT M8X120		1	*		
004-1	265583-9	HEX. BOLT M8X120	O	1			
005	345280-4	HEX. WASHER		1			
006	417630-4	GRIP BASE		1			
007	152489-9	GRIP 36 COMPLETE		1			
008	192692-0	KEYLESS DRILL CHUCK		1	*		
008-1	194073-4	KEYLESS DRILL CHUCK	O	1	*		
008-2	192692-0	KEYLESS DRILL CHUCK	O	1	*		
008-3	196193-0	KEYLESS DRILL CHUCK	O	1	*		
008-4	196564-1	KEYLESS DRILL CHUCK	O	1	*		
008-5	196193-0	KEYLESS DRILL CHUCK	<	1			
009	324397-6	SPINDLE		1			
010	233389-3	COMPRESSION SPRING 15		1			
011	211201-7	BALL BEARING 6002LLB		1			
012	961055-9	RETAINING RING S-15		1			
013	226579-5	HELICAL GEAR 45		1			
014	216018-3	STEEL BALL 5.0		1			
015	418319-7	CHANGE LEVER		1			
016	345354-1	PLATE 19		1			
017	153695-9	CAM HOLDER COMPLETE		1	*		
017-1	153831-7	CAM HOLDER COMPLETE	S	1	*		
017-2	141165-0	CAM HOLDER COMPLETE	<	1			
018	210023-2	BALL BEARING 627DDW		1			
019	240067-8	FAN 55		1			
020	517458-1	ARMATURE ASS'Y 220-240V		1			
D10		INC. 18,19,21					
021	210023-2	BALL BEARING 627DDW		1	*		
021-1	211028-5	BALL BEARING 627LB	<	1			
022	633568-7	FIELD 220-240V		1			
023	638237-5	BRUSH HOLDER UNIT		1			
024	191962-4	CARBON BRUSH CB-419		1	*		
024-1	195015-1	CARBON BRUSH SET CB-419	O	1			
025	686038-5	RECEPTACLE SLEEVE		2			
026	418320-2	HANDLE COVER		1			
027	265995-6	TAPPING SCREW 4X18		1			
028	687169-3	STRAIN RELIEF		1			
029	682502-4	CORD GUARD 8-85		1			
030	666053-5	POWER SUPPLY CORD 1.0-2-2.0		1			
031	650543-8	SWITCH TG843TB-1		1			
032	645146-1	NOISE SUPPRESSOR		1			
033	819063-3	MAKITA LABEL		1			
034	183711-3	HOUSING SET		1			

C10	345399-9	PLATE		2			
D10		INC. 3,33					
035	345400-0	SPACER		1	*		
A01	324219-0	DEPTH GAUGE		1			
A02	182992-6	PLASTIC CARRYING CASE SET		1	*		
C10	819143-5	MAKITA LABEL		1	*		
C20	183091-7	SLIDE LATCH RL SET		1	*		
A02-1	824724-2	PLASTIC CARRYING CASE	O	1	*		
C10	183091-7	SLIDE LATCH RL SET		1	*		
A02-2	824923-6	PLASTIC CARRYING CASE	O	1			

Please state Parts No. when your order.

Print Date 11/16/2023