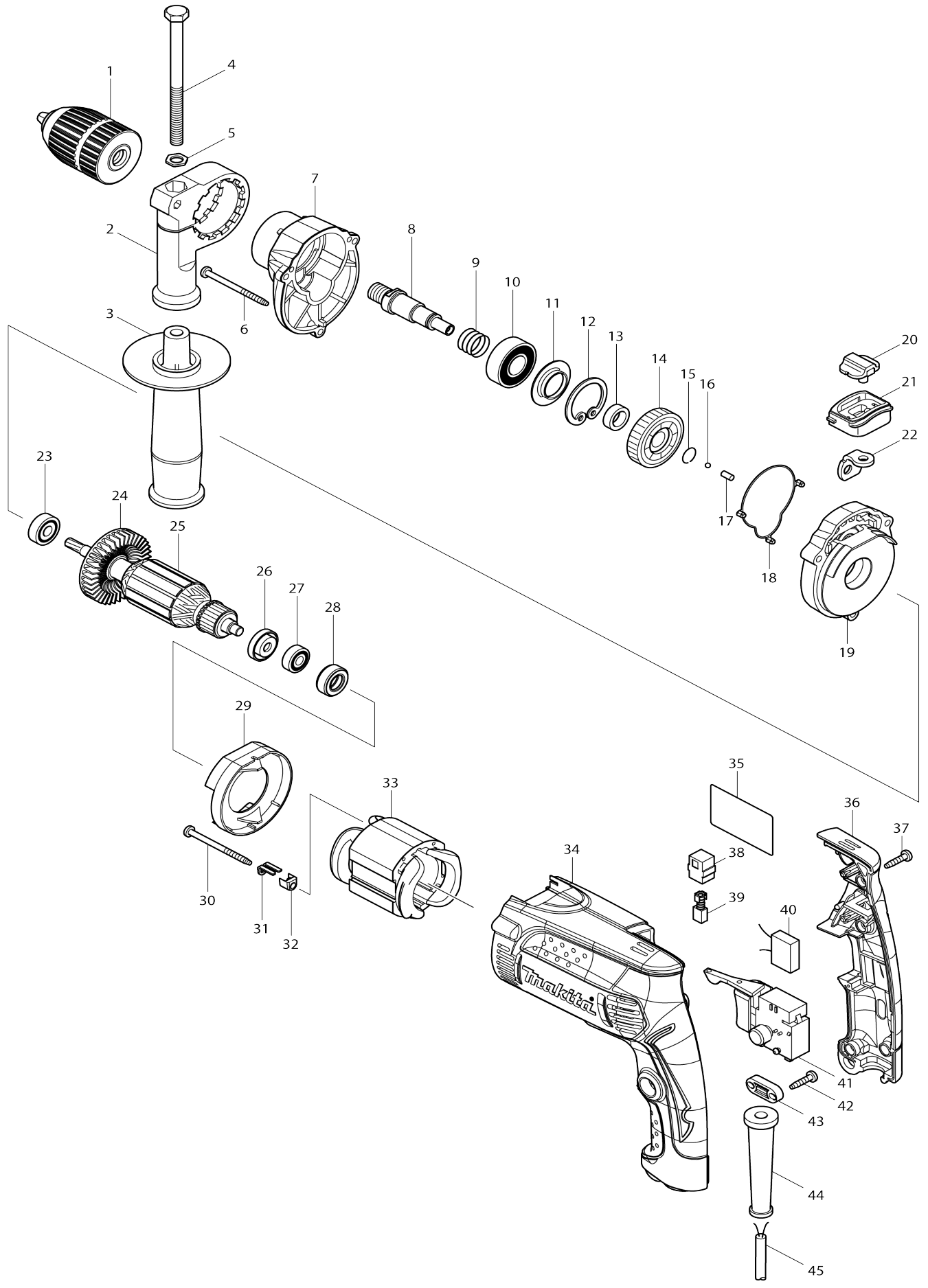


Model No.HP1631 HAMMER DRILL 16MM



Model No.HP1631 HAMMER DRILL 16MM

| Item No. | Parts No. | Description | Interchangability | Q'ty | New/Old | Note1 | Note2 |
|----------|-----------|-----------------------------|-------------------|------|---------|-------|-------|
| 001 | 192692-0 | KEYLESS DRILL CHUCK | | 1 | * | | |
| 001-1 | 196193-0 | KEYLESS DRILL CHUCK | O | 1 | * | | |
| 001-2 | 196564-1 | KEYLESS DRILL CHUCK | O | 1 | * | | |
| 001-3 | 196193-0 | KEYLESS DRILL CHUCK | < | 1 | | | |
| 002 | 417630-4 | GRIP BASE | | 1 | | | |
| 003 | 153503-4 | GRIP 36 COMPLETE | | 1 | * | | |
| 003-1 | 152489-9 | GRIP 36 COMPLETE | O | 1 | | | |
| 004 | 265495-6 | HEX. BOLT M8X110 | | 1 | | | |
| 005 | 345280-4 | HEX. WASHER | | 1 | | | |
| 006 | 266361-0 | TAPPING SCREW 4X30 | | 3 | * | | |
| 006-1 | 265B70-0 | TAPPING SCREW 4X30 | O | 3 | | | |
| 007 | 450619-9 | GEAR HOUSING | | 1 | | | |
| 008 | 324223-9 | SPINDLE | | 1 | | | |
| 009 | 233330-6 | COMPRESSION SPRING 16 | | 1 | | | |
| 010 | 211241-5 | BALL BEARING 6202DDW | | 1 | | | |
| 011 | 257246-1 | RING 19 | | 1 | | | |
| 012 | 962153-2 | RETAINING RING R-35 | | 1 | | | |
| 013 | 257173-2 | RING 12 | | 1 | | | |
| 014 | 226589-2 | HELICAL GEAR 37 | | 1 | * | | |
| 014-1 | 227806-3 | HELICAL GEAR 37 | S | 1 | | | |
| 015 | 233938-6 | RING SPRING 12 | | 1 | | | |
| 016 | 216001-0 | STEEL BALL 3.5 | | 1 | | | |
| 017 | 256251-5 | PIN 4 | | 1 | | | |
| 018 | 424112-9 | SEAL RING | | 1 | | | |
| 019 | 158676-8 | GEAR HOUSING COVER COMPLETE | | 1 | | | |
| 020 | 417819-4 | CHANGE LEVER | | 1 | | | |
| 021 | 450621-2 | LEVER CASE | | 1 | | | |
| 022 | 345944-0 | CHANGE PLATE | | 1 | | | |
| 023 | 211031-6 | BALL BEARING 608LLB | | 1 | | | |
| 024 | 241869-5 | FAN 55 | | 1 | | | |
| 025 | 515309-2 | ARMATURE ASS'Y 240V | | 1 | * | | |
| D10 | | INC. 23,24,26,27 | | | | | |
| 025-1 | 513439-3 | ARMATURE ASS'Y 240V | S | 1 | | | |
| D10 | | INC. 23,24,26,27 | | | | | |
| 026 | 681636-0 | INSULATION WASHER | | 1 | | | |
| 027 | 211021-9 | BALL BEARING 607LLB | | 1 | | | |
| 028 | 421808-3 | RUBBER RING 19 | | 1 | | | |
| 029 | 450620-4 | BAFFLE PLATE | | 1 | | | |
| 030 | 266415-3 | TAPPING SCREW 4X55 | | 2 | * | | |
| 030-1 | 266467-4 | TAPPING SCREW 4X50 | S | 2 | | | |
| 031 | 344871-8 | RETAINER | | 2 | | | |
| 032 | 417237-6 | INSULATION COVER | | 2 | * | | |
| 033 | 626604-6 | FIELD 240V | | 1 | * | | |
| 033-1 | 626644-4 | FIELD 240V | O | 1 | * | | |
| 033-2 | 621A44-9 | FIELD | < | 1 | | | |
| 034 | 450617-3 | MOTOR HOUSING | | 1 | * | | |
| 034-1 | 457967-7 | MOTOR HOUSING | < | 1 | | | |

| | | | | | | | |
|-------|----------|---------------------------------|---|---|---|--|--|
| 035 | 865373-6 | HP1631 NAME PLATE | | 1 | | | |
| 036 | 158677-6 | HANDLE COVER COMPLETE | | 1 | | | |
| 037 | 266326-2 | TAPPING SCREW 4X18 | | 4 | * | | |
| 037-1 | 265B67-9 | TAPPING SCREW 4X18 | O | 4 | | | |
| 038 | 643563-9 | BRUSH HOLDER 5X8 | | 2 | * | | |
| 038-1 | 643566-3 | BRUSH HOLDER 5X8 | O | 2 | | | |
| 039 | 191998-3 | CARBON BRUSH CB-85 | | 1 | * | | |
| 039-1 | 194973-8 | CARBON BRUSH SET CB-85 | O | 1 | | | |
| 040 | 645200-1 | NOISE SUPPRESSOR | | 1 | * | | |
| 040-1 | 645267-9 | NOISE SUPPRESSOR | O | 1 | | | |
| 041 | 650586-0 | SWITCH DGQ-1104H | | 1 | | | |
| 042 | 266326-2 | TAPPING SCREW 4X18 | | 2 | * | | |
| 042-1 | 265B67-9 | TAPPING SCREW 4X18 | O | 2 | | | |
| 043 | 687124-5 | STRAIN RELIEF | | 1 | | | |
| 044 | 682569-2 | CORD GUARD 8-85 | | 1 | * | | |
| 044-1 | 682502-4 | CORD GUARD 8-85 | O | 1 | | | |
| 045 | 665383-1 | POWER SUPPLY CORD 1.0-2-2.0 | | 1 | | | |
| A01 | 824811-7 | PLASTIC CARRYING CASE | | 1 | | | |
| C10 | 324815-4 | SHAFT | | 1 | | | |
| C20 | 417724-5 | LATCH | | 2 | | | |
| C30 | 418264-6 | PLATE | | 3 | | | |
| C40 | 419216-0 | HANDLE | | 1 | | | |
| C50 | 450086-8 | PLASTIC CASE LID | | 1 | | | |
| A01 | 821549-5 | CONNECTOR PLASTIC CASE (TYP E1) | | 1 | | | |
| C10 | 453974-8 | LATCH | | 4 | | | |
| A02 | 837666-1 | INNER TRAY | | 1 | * | | |
| A02-1 | 838038-3 | INNER TRAY | < | 1 | | | |
| A03 | 801C88-9 | HP1631J INDICATION LABEL | | 1 | | | |
| A04 | 801C89-7 | HP1631J PLASTIC CASE LABEL | | 2 | | | |

Please state Parts No. when your order.

Print Date 12/04/2023