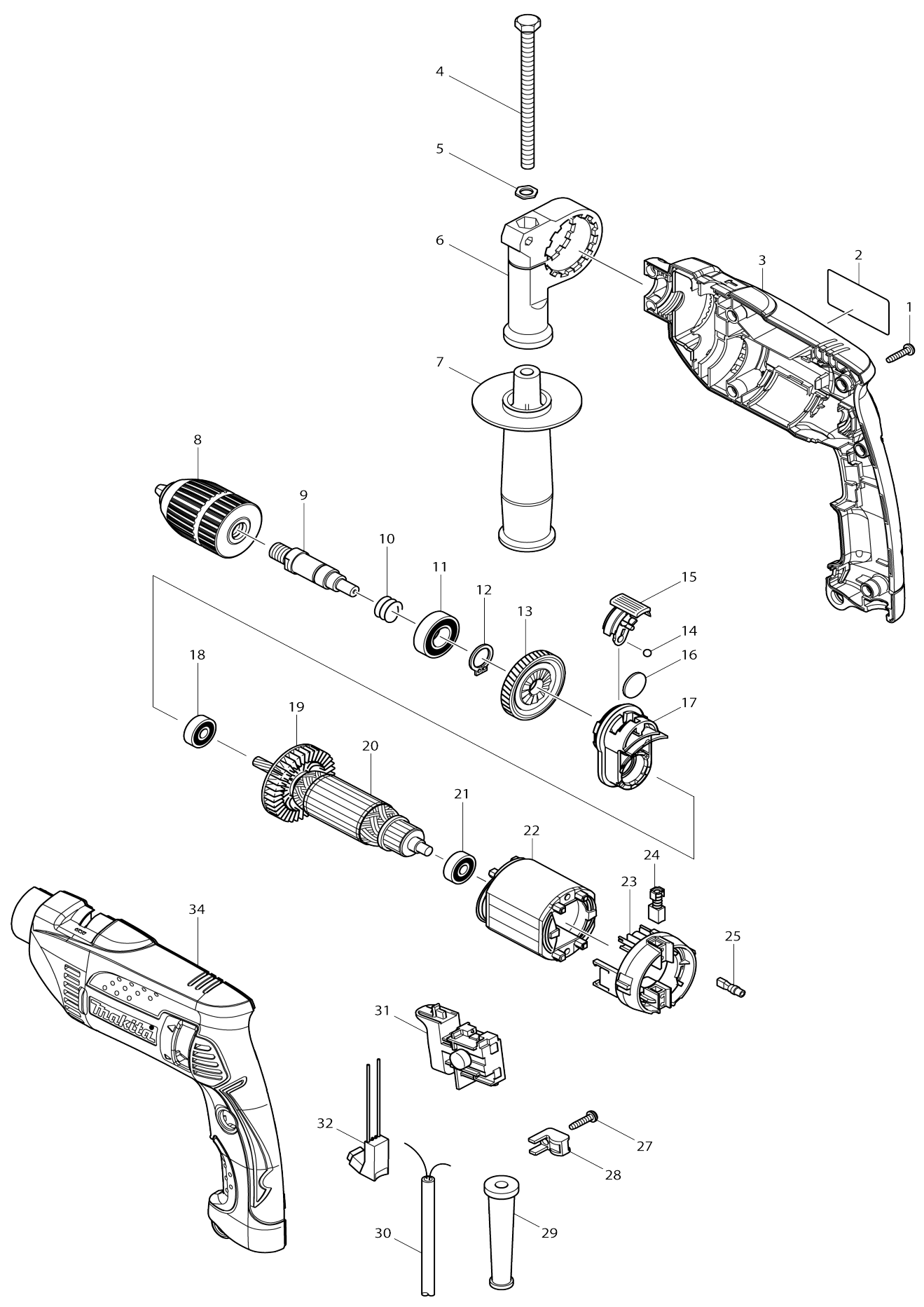


Model No.HP1641F HAMMER DRILL 16MM



Model No.HP1641F HAMMER DRILL 16MM

Item No.	Parts No.	Description	Interc hang eabilit y	Q'ty	New/ Old	Note1	Note2
001	265995-6	TAPPING SCREW 4X18		7			
002	866007-4	Name plate HP1641F		1			
003	188612-0	Housing set (blue)		1	*		
C10	345399-9	PLATE		2	*		
D10		INC. 34					
003-1	183U54-9	HOUSING SET	S	1			
C10	345399-9	PLATE		2			
D10		INC. 34					
004	265583-9	HEX. BOLT M8X120		1			
005	345280-4	HEX. WASHER		1			
006	417630-4	GRIP BASE		1			
007	152489-9	GRIP 36 COMPLETE		1			
008	192692-0	KEYLESS DRILL CHUCK		1	*		
008-1	196193-0	KEYLESS DRILL CHUCK	O	1	*		
008-2	196564-1	KEYLESS DRILL CHUCK	O	1	*		
008-3	196193-0	KEYLESS DRILL CHUCK	<	1			
009	324397-6	SPINDLE		1			
010	233389-3	COMPRESSION SPRING 15		1			
011	211201-7	BALL BEARING 6002LLB		1			
012	961055-9	RETAINING RING S-15		1			
013	226579-5	HELICAL GEAR 45		1			
014	216018-3	STEEL BALL 5.0		1			
015	418319-7	CHANGE LEVER		1			
016	345354-1	PLATE 19		1			
017	153831-7	CAM HOLDER COMPLETE		1	*		
017-1	141165-0	CAM HOLDER COMPLETE	<	1			
018	210023-2	BALL BEARING 627DDW		1			
019	240067-8	FAN 55		1			
020	517458-1	ARMATURE ASS'Y 220-240V		1			
D10		INC. 18,19,21					
021	211028-5	BALL BEARING 627LB		1			
022	633568-7	FIELD 220-240V		1			
023	638237-5	BRUSH HOLDER UNIT		1	*		
023-1	632542-6	BRUSH HOLDER UNIT	S	1			
024	191962-4	CARBON BRUSH CB-419		1			
025	686038-5	RECEPTACLE SLEEVE		2			
027	265995-6	TAPPING SCREW 4X18		1			
028	687260-7	STRAIN RELIEF		1			
029	682502-4	CORD GUARD 8-85		1			
030	665383-1	POWER SUPPLY CORD 1.0-2-2.0		1			
031	650570-5	SWITCH TG843TB-2		1			
032	631823-1	Light circuit		1			
034	188612-0	Housing set (blue)		1	*		
C10	345399-9	PLATE		2	*		
D10		INC. 3					
034-1	183U54-9	HOUSING SET	S	1			
C10	345399-9	PLATE		2			

D10		INC. 3				
A01	324219-0	DEPTH GAUGE		1		
A02	824724-2	PLASTIC CARRYING CASE		1	*	
C10	183091-7	SLIDE LATCH RL SET		1	*	
A02-1	824923-6	PLASTIC CARRYING CASE	<	1		
E04	646173-1	CHOKE COIL		1		
E05	646172-3	CHOKE COIL		1		
A02	824674-1	PLASTIC CASE		1	*	
C10	417496-2	LATCH		2	*	
C20	417497-0	HANDLE		1	*	
C30	418263-8	PLASTIC CASE LID		1	*	
C40	418264-6	PLATE		3	*	
A02-1	824811-7	PLASTIC CARRYING CASE	O	1		
C10	417724-5	LATCH		2		
C20	419216-0	HANDLE		1		
C30	450086-8	PLASTIC CASE LID		1		
C40	418264-6	PLATE		3		
A03	D-08660	DRILL BIT ASSORTMENT		1	*	
A03-1	D-71962	DRILL BIT 9PCS SET	O	1		
A02	821549-5	CONNECTOR PLASTIC CASE (TYP E1)		1		
C10	453974-8	LATCH		4		
A03	837666-1	INNER TRAY		1	*	
A03-1	838038-3	INNER TRAY	<	1		
A04	801C92-8	Indication label HP1641FJ		1		
A05	801C93-6	Plastic case label HP1641FJ		2		

Please state Parts No. when your order.

Print Date 24.10.2023