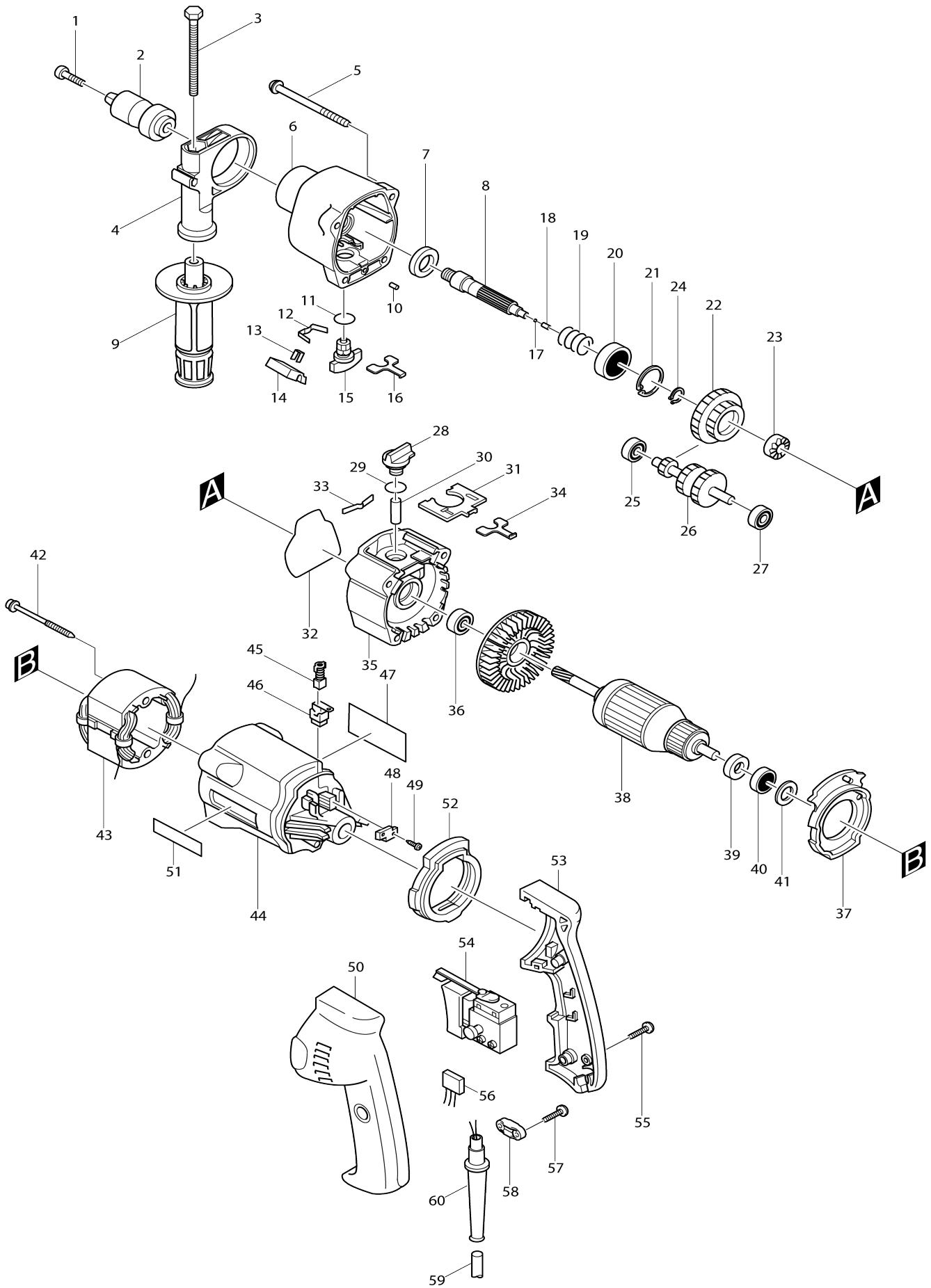


Model No.HP2033 2-SPEED HAMMER DRILL 20MM



Model No.HP2033 2-SPEED HAMMER DRILL 20MM

Item No.	Parts No.	Description	Interchangeability	Q'ty	New/Old	Note1	Note2
001A_	251464-3	- FLAT HEAD SCREW M6X22		1	*		
002	192664-5	KEYLESS DRILL CHUCK		1	*		
002-1	194254-0	KEYLESS DRILL CHUCK SET	<	1			
003	921919-9	HEX. BOLT M8X110		1	*		
003-1	921923-8	HEX. BOLT M8X120	O	1			
004	415485-1	GRIP BASE		1			
005A_	266108-2	TAPPING SCREW FLANGE PF 5X70		4	*		
005A1	266038-7	TAPPING SCREW 5X70	O	4			
006	317111-7	GEAR HOUSING		1			
007	213314-0	OIL SEAL 19		1			
008	323854-1	SPINDLE		1			
009A_	152489-9	GRIP 36 COMPLETE		1			
010	256251-5	PIN 4		1			
011	213162-7	O RING 14		1			
012	232143-2	LEAF SPRING		1			
013	344179-0	CHANGE PLATE		1			
014	415621-9	RACK 12		1			
015	415620-1	CHANGE LEVER B		1			
016	344178-2	LOCK PLATE		1			
017	216001-0	STEEL BALL 3.5		1			
018	256251-5	PIN 4		1			
019	233091-8	COMPRESSION SPRING 16		1			
020	211206-7	BALL BEARING 6202LLB		1			
021	962153-2	RETAINING RING R-35		1			
022	226289-4	SPUR GEAR 27-38		1	*		
022-1	226342-6	SPUR GEAR 27-38	O	1			
023	223104-3	CAM A		1			
024	961055-9	RETAINING RING S-15		1			
025	211014-6	BALL BEARING 606		1			
026	226818-3	GEAR COMPLETE 8-19-25		1			
027	211014-6	BALL BEARING 606		1			
028	415619-6	CHANGE LEVER A		1			
029	213162-7	O RING 14		1			
030	322787-7	CHANGE PIN 8		1			
031	416747-0	CAM HOUSING COVER		1			
032	213759-2	O RING 72		1			
033	232053-3	LEAF SPRING		1			
034	344178-2	LOCK PLATE		1			
035	151550-9	CAM HOUSING COMPLETE		1			
036	210005-4	BALL BEARING 608DDW		1			
037	415618-8	BAFFLE PLATE		1			
038B_	517103-8	ARMATURE ASS'Y 220V		1			
D10		INC. 36,39,40,61					
039	681614-0	INSULATION WASHER		1			
040	211026-9	BALL BEARING 627LLB		1	*		
040-1	210025-8	BALL BEARING 627LLB	O	1			
041	253707-9	FLAT WASHER 16		1			

042A_	266113-9	TAPPING SCREW FLANGE PF 4X6 5		2	*		
042A1	266060-4	TAPPING SCREW 4X65	O	2			
043B_	633413-6	FIELD 220V		1			
044	415601-5	MOTOR HOUSING		1			
045	191962-4	CARBON BRUSH CB-419		1	*		
045-1	195015-1	CARBON BRUSH SET CB-419	O	1			
046	643923-5	BRUSH HOLDER		2			
047A_	851534-4	NAME PLATE HP2033		1			
048	415622-7	BRUSH HOLDER PLATE		2			
049	266007-8	TAPPING SCREW BIND PT 3X10		4			
050	182724-1	HANDLE SET		1	*		
D10		INC. 53					
050-1	182724-1	HANDLE SET	X	1			
D10		INC. 53					
051	819063-3	MAKITA LABEL		1			
052	421505-1	CUSHION RUBBER		1			
053	182724-1	HANDLE SET		1	*		
D10		INC. 50					
053-1	182724-1	HANDLE SET	X	1			
D10		INC. 50					
054	651952-4	SWITCH 8653C721AD 200V-240V		1	*		
054-1	651987-5	SWITCH	X	1	*		
054-2	651987-5	SWITCH	X	1	*		
054-3	651986-7	SWITCH TG803TLB-1	O	1			
055A_	266121-0	TAPPING SCREW FLANGE PF 4X1 8		5	*		
055A1	265995-6	TAPPING SCREW 4X18	O	5			
056B_	645256-4	NOISE SUPPRESSOR		1	*		
056B1	645144-5	NOISE SUPPRESSOR	O	1			
057A_	266121-0	TAPPING SCREW FLANGE PF 4X1 8		2	*		
057A1	265995-6	TAPPING SCREW 4X18	O	2			
058B_	687052-4	STRAIN RELIEF		1			
059F_	665394-6	POWER SUPPLY CORD 1.0-2-2.5		1			
060A_	682502-4	CORD GUARD 8-85		1			
061	241850-6	FAN 60		1			
A01	415486-9	DEPTH GAUGE		1			
A02A_	824485-4	PLASTIC CARRYING CASE		1			
C10	183091-7	SLIDE LATCH RL SET		1			

Please state Parts No. when your order.

Print Date 12/09/2023