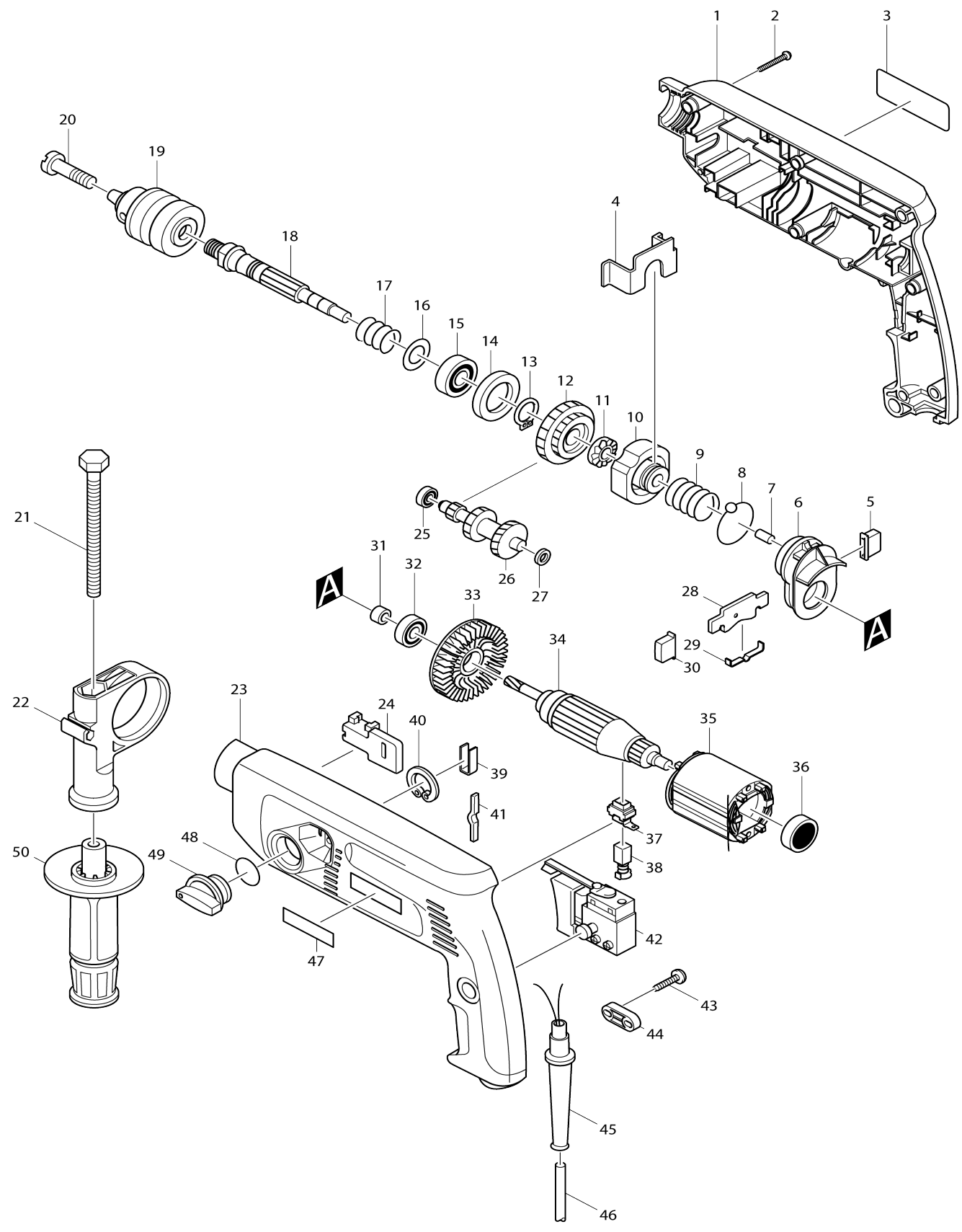


Model No.HP2040 2-SPEED HAMMER DRILL 20MM



Model No.HP2040 2-SPEED HAMMER DRILL 20MM

Item No.	Parts No.	Description	Interc hang eabilit y	Q'ty	New/ Old	Note1	Note2
001	182906-5	HOUSING SET		1			
D10		INC. 23					
002	265995-6	TAPPING SCREW 4X18		10			
003	859033-0	NAME PLATE HP2040		1			
004	344439-0	RETAINER		1			
005	415453-4	CHANGE BUTTON		1			
006	159965-4	INNER HOUSING COMPLETE		1			
007	256251-5	PIN 4		1			
008	216001-0	STEEL BALL 3.5		1			
009	233170-2	COMPRESSION SPRING 23		1			
010	223119-0	CAM B		1			
011	223118-2	CAM A		1			
012	226331-1	SPUR GEAR 28-38		1			
013	961055-9	RETAINING RING S-15		1			
014	267126-3	FLAT WASHER 22		1			
015	211201-7	BALL BEARING 6002LLB		1			
016	267164-5	FLAT WASHER 15		1			
017	233169-7	COMPRESSION SPRING 18		1			
018	322920-1	SPINDLE		1			
019	763114-3	DRILL CHUCK S13		1			
020	251460-1	- FLAT HEAD SCREW M6X22		1	*		
020-1	251464-3	- FLAT HEAD SCREW M6X22	O	1			
021	921919-9	HEX. BOLT M8X110		1	*		
021-1	921923-8	HEX. BOLT M8X120	O	1			
022	415485-1	GRIP BASE		1			
023	182906-5	HOUSING SET		1			
D10		INC. 1					
024	416189-8	SLIDER		1			
025	210006-2	BALL BEARING 696ZZ		1	*		
025-1	210026-6	BALL BEARING 696ZZ	X	1			
026	226130-1	GEAR COMPLETE 8-18-23		1			
027	253777-8	FLAT WASHER 8		1			
028	344419-6	CHANGE PLATE		1			
029	232134-3	LEAF SPRING		1			
030	415453-4	CHANGE BUTTON		1			
031	262541-6	SLEEVE 8		1			
032	211033-2	BALL BEARING 608LB		1			
033	241869-5	FAN 55		1	*		
033-1	240067-8	FAN 55	X	1			
034	517213-1	ARMATURE ASS'Y 220/240V		1			
D10		INC. 32,33,36					
035	633348-1	FIELD 220-240V		1			
036	211028-5	BALL BEARING 627LB		1			
037	643923-5	BRUSH HOLDER		2	*		
037-1	643936-6	BRUSH HOLDER	O	2			
038	191962-4	CARBON BRUSH CB-419		1	*		
038-1	195015-1	CARBON BRUSH SET CB-419	O	1			

039	344440-5	SLIDER PLATE		1		
040	961104-2	RETAINING RING S-24		1		
041	232053-3	LEAF SPRING		1		
042	651952-4	SWITCH 8653C721AD 200V-240V		1	*	
042-1	651986-7	SWITCH TG803TLB-1	X	1		
043	265995-6	TAPPING SCREW 4X18		2		
044B_	687052-4	STRAIN RELIEF		1		
045A_	682549-8	CORD GUARD 8-85		1		
046B_	665383-1	POWER SUPPLY CORD 1.0-2-2.0		1		
047	819063-3	MAKITA LABEL		1		
048	213373-4	O RING 22		1		
049	152559-4	CHANGE LEVER COMPLETE		1		
050-1	152521-9	GRIP 36 COMPLETE		1		
A01	415486-9	DEPTH GAUGE		1		
A02	763430-3	CHUCK KEY S13		1		
A03	824449-8	PLASTIC CARRYING CASE		1	*	
C10	182935-8	SLIDE LATCH (R.L) SET		1	*	
A03-1	824608-4	PLASTIC CARRYING CASE	O	1		
C10	417496-2	LATCH		2		
C20	417497-0	HANDLE		1		
C30	819143-5	MAKITA LABEL		1		
E03	645253-0	NOISE SUPPRESSOR		1		
E08C_	539131-3	CHOKE COIL ASS'Y		1		
E09C_	539132-1	CHOKE COIL ASS'Y		1		
E10	654015-5	EARTH TERMINAL		1		
E11	654501-6	CONNECTOR P-1.25		1		
E13	645144-5	NOISE SUPPRESSOR		1		
E14	654069-2	RECEPTACLE		2		

Please state Parts No. when your order.

Print Date 12/09/2023