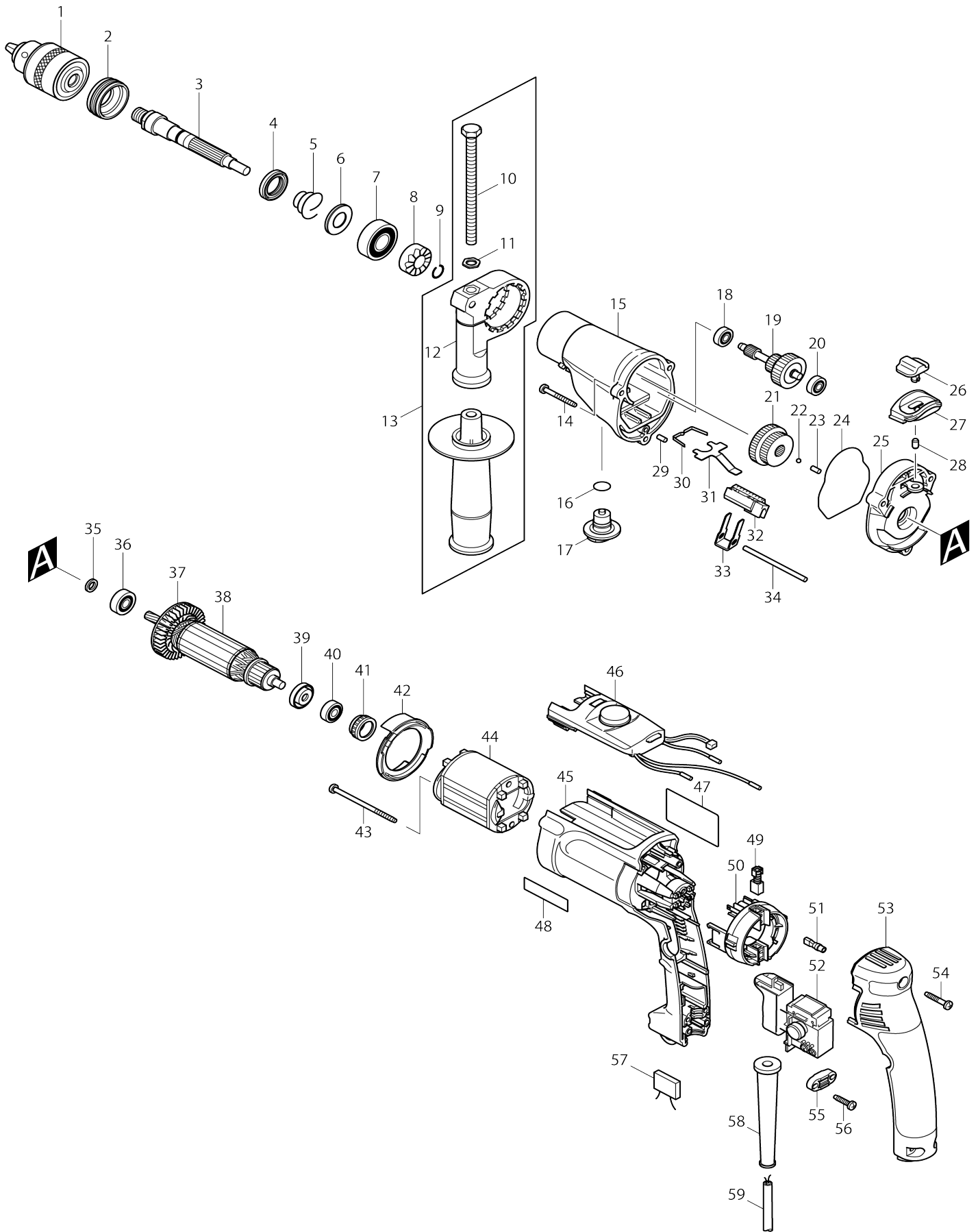


# Model No.HP2070 2-SPEED HAMMER DRILL 20MM



Model No.HP2070 2-SPEED HAMMER DRILL 20MM

Item No.	Parts No.	Description	Interchangeability	Q'ty	New/Old	Note1	Note2
001	193822-6	DRILL CHUCK S13		1			
C10	763430-3	CHUCK KEY S13		1			
002	285839-4	BEARING RETAINER		1			
003	324247-5	SPINDLE		1			
004	213314-0	OIL SEAL 19		1			
005	233921-3	CONICAL COMPRESSION SPRING		1			
006	345224-4	CUP WASHER 15		1			
007	211206-7	BALL BEARING 6202LLB		1			
008	223141-7	CAM A		1			
009	233920-5	RING SPRING 11		1			
010	921923-8	HEX. BOLT M8X120		1	*		
010-1	265439-6	HEX. BOLT M8X150	<	1			
011	345280-4	HEX. WASHER		1			
012	417630-4	GRIP BASE		1	*		
012-1	459485-1	GRIP BASE	<	1			
013	134943-5	GRIP 36 ASS'Y		1	*		
D10		INC. 10-12					
013-1	135302-6	GRIP 36 ASS'Y	O	1	*		
D10		INC. 10-12					
013-2	136603-5	GRIP 36 ASS'Y	<	1			
D10		INC. 10-12					
014	266053-1	TAPPING SCREW 4X35		3			
015	153621-8	GEAR HOUSING COMPLETE		1			
016	213122-9	O RING 12		1			
017	417805-5	CHANGE LEVER B		1			
018	211014-6	BALL BEARING 606		1	*		
018-1	211012-0	BALL BEARING 606ZZ	O	1			
019	153622-6	GEAR COMPLETE		1			
020	211014-6	BALL BEARING 606		1	*		
020-1	211012-0	BALL BEARING 606ZZ	O	1			
021	227030-8	SPUR GEAR 29-37		1	*		
021-1	227119-2	SPUR GEAR 29-37	<	1			
022	216001-0	STEEL BALL 3.5		1			
023	256251-5	PIN 4		1			
024	421810-6	SEAL RING		1			
025	153620-0	GEAR HOUSING COVER COMPLETE		1			
026	418083-0	CHANGE LEVER A		1			
027	417802-1	LEVER CASE		1			
028	263002-9	RUBBER PIN 4		1			
029	256251-5	PIN 4		1			
030	232143-2	LEAF SPRING		1			
031	345225-2	LOCK PLATE		1			
032	417804-7	RACK 12		1			
033	345223-6	CHANGE PLATE B		1			
034	268092-7	PIN 4		1			
035	262087-2	RING 8		1	*		
035-1	257857-2	RING 8	<	1			

036	210005-4	BALL BEARING 608DDW		1		
037	240065-2	FAN 52		1		
038	517464-6	ARMATURE ASS'Y 220-240V		1		
D10		INC. 35-37,39,40				
039	681636-0	INSULATION WASHER		1		
040	211021-9	BALL BEARING 607LLB		1		
041	421494-0	RUBBER RING 19		1		
042	418269-6	BAFFLE PLATE		1		
043	266004-4	TAPPING SCREW 4X70		2		
044	633573-4	FIELD 220-240V		1		
045	183657-3	MOTOR HOUSING		1	*	
D10		INC. 48				
045-1	413849-3	MOTOR HOUSING	S	1		
046	631534-8	CONTROLLER		1		
047	850576-5	NAME PLATE HP2070		1		
048	819063-3	MAKITA LABEL		1		
049	191962-4	CARBON BRUSH CB-419		1		
050	638236-7	BRUSH HOLDER UNIT		1	*	
050-1	638413-1	BRUSH HOLDER UNIT	O	1	*	
050-2	632541-8	BRUSH HOLDER UNIT	S	1		
051	686038-5	RECEPTACLE SLEEVE		2		
052	650212-1	SWITCH TG813TB-4		1		
053	418273-5	HANDLE COVER		1	*	
053-1	413850-8	HANDLE COVER	S	1		
054	265999-8	TAPPING SCREW 4X25		3		
055	687052-4	STRAIN RELIEF		1	*	
055-1	687124-5	STRAIN RELIEF	O	1		
056	265995-6	TAPPING SCREW 4X18		2		
057	645200-1	NOISE SUPPRESSOR		1		
058	682559-5	CORD GUARD 8		1		
059	665394-6	POWER SUPPLY CORD 1.0-2-2.5		1		
A01	324219-0	DEPTH GAUGE		1		
A02	410102-8	KEY HOLDER		1		
A03	763430-3	CHUCK KEY S13		1		
A04	824650-5	PLASTIC CARRYING CASE		1	*	
C10	417724-5	LATCH		2	*	
C20	819144-3	MAKITA LOGO LABEL		1	*	
A04-1	821896-4	PLASTIC CASE	<	1		
C10	417724-5	LATCH		2		
C20	819144-3	MAKITA LOGO LABEL		1		
A07	8050E2-4	HP2070 PLASTIC CASE LABEL		1		

Please state Parts No. when your order.

Print Date 24.10.2023