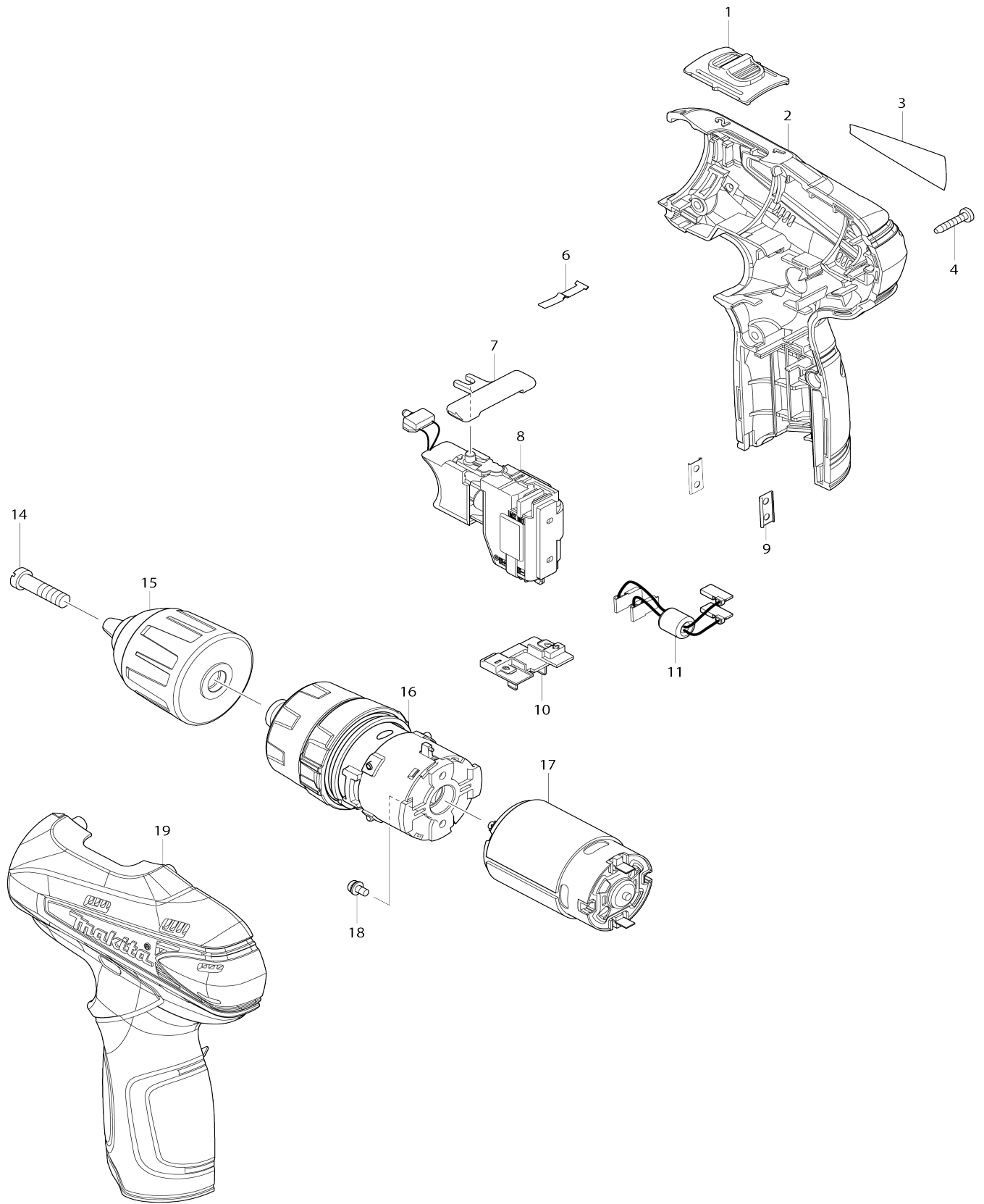


# Model No. HP330D CORDLESS HAMMER DRIVER DRILL



Model No.HP330D CORDLESS HAMMER DRIVER DRILL

Item No.	Parts No.	Description	Interchangability	Q'ty	New/Old	Note1	Note2
001	126233-0	SPEED CHANGE LEVER ASSEMBLY		1			
C10	231433-0	COMPRESSION SPRING 4		2			
002	187359-3	HOUSING SET		1			
D10		INC. 19					
003	897342-9	HP330D NAME PLATE		1			
004	266429-2	TAPPING SCREW 3X16		6			
006	232239-9	LEAF SPRING		1			
007	450504-6	F/R CHANGE LEVER		1			
008	650691-3	SWITCH C3HW-3A-EF1M		1			
009	345998-7	SET PLATE		2			
010	643830-2	TERMINAL		1			
011	638929-6	LINE FILTER UNIT		1			
C10	654086-2	RECEPTACLE		2			
014	251468-5	- FLAT HEAD SCREW M6X22		1			
015	766003-1	KEYLESS DRILL CHUCK 10		1	*		
015-1	763229-6	KEYLESS DRILL CHUCK 10	<	1			
016	126148-1	GEAR ASSEMBLY		1	*		
016-1	123502-0	GEAR ASS'Y	O	1			
017	629962-9	DC MOTOR		1			
018	911003-8	PAN HEAD SCREW M3X6		2			
019	187359-3	HOUSING SET		1			
D10		INC. 2					
020	533020-4	LEAD ASS'Y		1	*		
020-1	533031-9	LEAD ASS'Y	O	1			
021	533019-9	LEAD ASS'Y		1	*		
021-1	533030-1	LEAD ASS'Y	O	1			
A01	168467-9	HOLSTER		1			
A02	***DC10WA	DC10WA BATTERY CHARGER		1			
A03	194550-6	BATTERY BL1013 SET		2	*		
A03-1	196066-7	BATTERY BL1013 SET	O	2			
A04	784203-1	PHILLIPS BIT 2-65		1	*		
A04-1	784042-9	+BIT2-65	O	1			
A05	824781-0	PLASTIC CASE		1			
A06	821525-9	PLASTIC CARRYING CASE		1			
C10	417724-5	LATCH		2			
A07	800A89-2	HP330DWE PLASTIC CASE LABEL		2			
F01-1	196066-7	BATTERY BL1013 SET	O	1			
F03-1	191A87-0	KEYLESS DRILL CHUCK 10 SET	<	1			
A06	821549-5	CONNECTOR PLASTIC CASE (TYPE1)		1	*		
C10	453974-8	LATCH		4	*		
A06-1	821549-5	CONNECTOR PLASTIC CASE (TYPE1)	<	1			
C10	453974-8	LATCH		4			
A07	837663-7	INNER TRAY		1	*		
A07-1	837866-3	INNER TRAY	<	1			
A08	800X98-9	HP330DWJ INDICATION LABEL		1			

A09	800X99-7	HP330DWJ PLASTIC CASE LABEL		2			
A07	801H08-3	HP330DWE3 PLASTIC CASE LABEL		2			
A07	837866-3	INNER TRAY		1			
A08	802X14-7	HP330DWLJ INDICATION LABEL		1			
A09	802X15-5	HP330DWLJ PLASTIC CASE LABEL		2			
A10	DEZML100	RECHARGEABLE FLASH LIGHT(BULK)		1			

Please state Parts No. when your order.

Print Date 20.11.2023