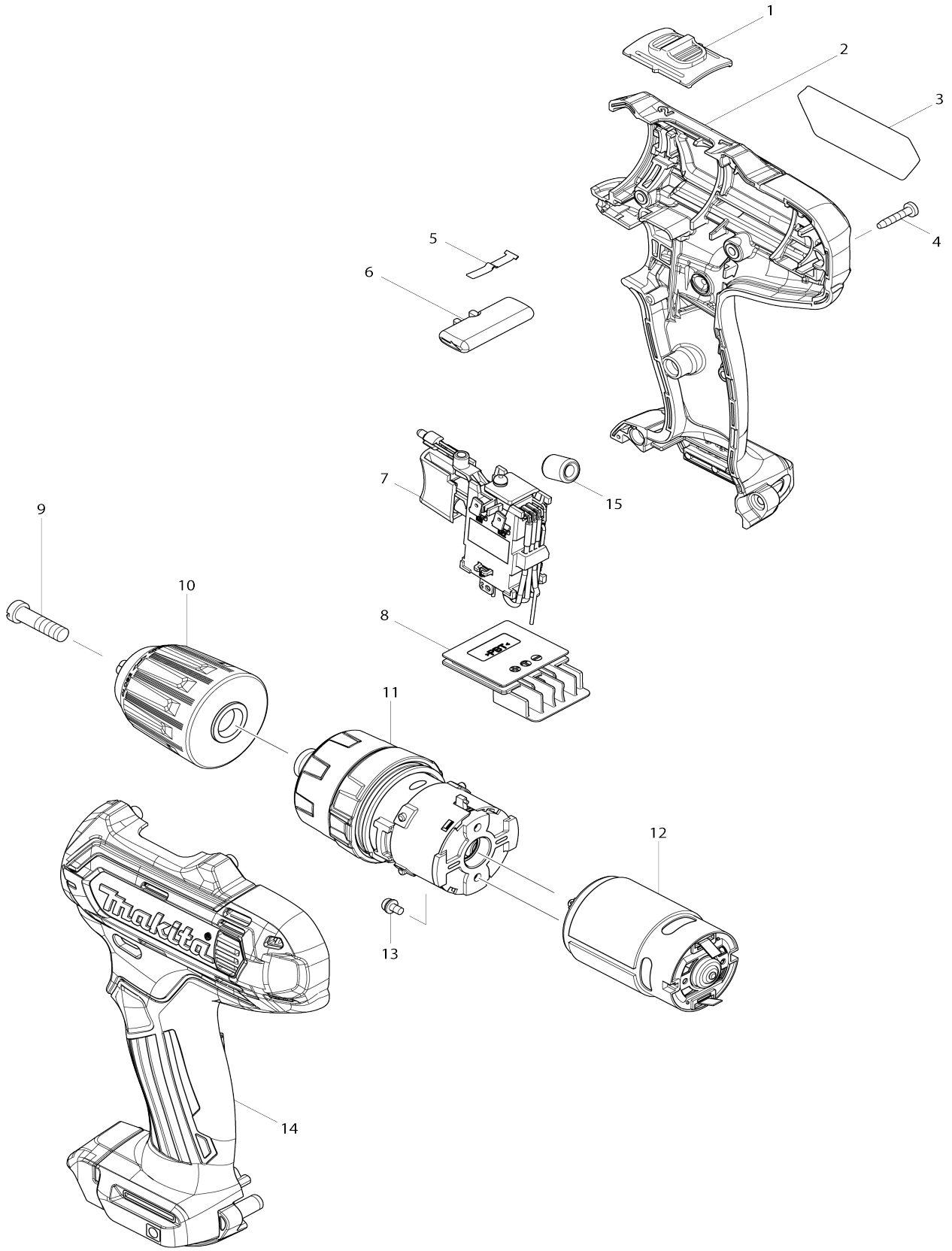


Model No. HP331D CORDLESS HAMMER DRIVER DRILL



Model No.HP331D CORDLESS HAMMER DRIVER DRILL

Item No.	Parts No.	Description	Interchangeability	Q'ty	New/Old	Note1	Note2
001	126233-0	SPEED CHANGE LEVER ASSEMBLY		1			
C10	231433-0	COMPRESSION SPRING 4		2			
002	183B50-3	HOUSING SET		1			
C10	252126-6	HEX. LOCK NUT M4-7		2			
D10		INC. 14					
003	851H13-0	HP331D NAME PLATE		1	*		
003-1	851H12-2	HP331D NAME PLATE	<	1			
004	266429-2	TAPPING SCREW 3X16		9			
005	232239-9	LEAF SPRING		1			
006	456039-5	F/R CHANGE LEVER		1			
007	632F42-8	SWITCH UNIT		1	*		
C10	620463-0	LED CIRCUIT		1	*		
C20	632F65-6	LINE FILTER UNIT		1	*		
007-1	632J76-5	SWITCH UNIT	<	1			
C10	620625-0	LED CIRCUIT		1			
C20	632F65-6	LINE FILTER UNIT		1	*		
C21	688161-2	LINE FILTER	<	1			
008	644813-5	TERMINAL		1			
009	251468-5	- FLAT HEAD SCREW M6X22		1			
010	763229-6	KEYLESS DRILL CHUCK 10		1			
011	123502-0	GEAR ASS'Y		1			
012	629167-1	DC MOTOR		1			
013	911003-8	PAN HEAD SCREW M3X6		2			
014	183B50-3	HOUSING SET		1			
C10	252126-6	HEX. LOCK NUT M4-7		2			
D10		INC. 2					
015	688164-6	LINE FILTER		1	*		
015-1	632F65-6	LINE FILTER UNIT	<	1			
C10	688164-6	LINE FILTER		1			
A01	251314-2	+ SCREW M4X12		1			
A02	346909-5	HOOK		1			
A03	784244-7	+ BIT 2-50		1			
F03	197390-1	BATTERY BL1015 SET		1			
F04	197391-9	BATTERY BL1015 SET		1			
F05	197393-5	BATTERY BL1016 SET		1			
F06	197394-3	BATTERY BL1020B SET		1			
F07	197395-1	BATTERY BL1020B SET		1			
F08-1	197396-9	BATTERY BL1021B SET	O	1			
F09-1	197397-7	BATTERY BL1021B SET	O	1			
F12	197402-0	BATTERY BL1040B SET		1			
F13	197403-8	BATTERY BL1040B SET		1			
F14	197404-6	BATTERY BL1040B SET		1			
F15-1	197406-2	BATTERY BL1041B SET	O	1			
F16-1	197407-0	BATTERY BL1041B SET	O	1			
F34	198968-3	BATTERY BL1016 SET		1			
F35	198969-1	BATTERY BL1016 SET (2PIECES)		1			
F36-1	198970-6	BATTERY BL1021B SET (2PIECES)	O	1			

F37-1	199002-2	BATTERY BL1041B SET (2PIECES)	O	1			
A04	456128-6	BATTERY COVER		1			
A05	***DC10SA	DC10SA BATTERY CHARGER		1	*		
D10		COMPO-PARTS					
A05-1	***DC10SB	DC10SB BATTERY CHARGER	<	1			
D10		COMPO-PARTS					
A06	197394-3	BATTERY BL1020B SET		2	*		
A06-1	197396-9	BATTERY BL1021B SET	<	2	*		
A06-2	197396-9	BATTERY BL1021B SET	O	2			
A07	784244-7	+ BIT 2-50		1			
A08	821549-5	CONNECTOR PLASTIC CASE (TYP E1)		1			
C10	453974-8	LATCH		4			
A09	838312-9	INNER TRAY		1			
A10	807K30-6	HP331DSAJ INDICATION LABEL		1			
A11	807K31-4	HP331DSAJ PLASTIC CASE LABEL		2			

Please state Parts No. when your order.

Print Date 24.10.2023