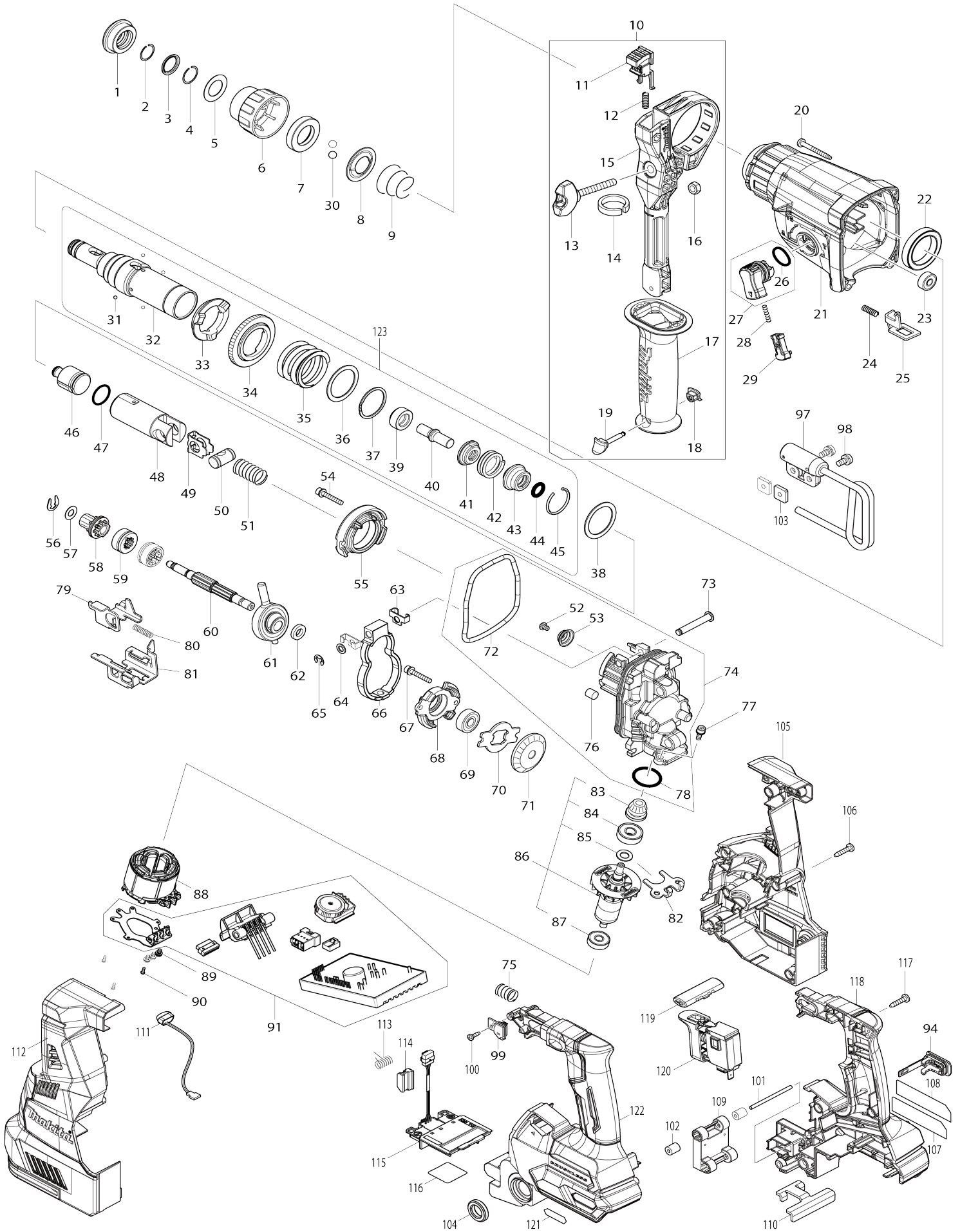


Model No.HR001G 28MM CRDLS COMBINATION HAMMER



Model No.HR001G 28MM CRDLS COMBINATION HAMMER

| Item No. | Parts No. | Description | Interchangability | Q'ty | New/Old | Note1 | Note2 |
|----------|-----------|----------------------------|-------------------|------|---------|-------|-------|
| 001 | 286288-8 | CAP 35 | | 1 | | | |
| 002 | 233989-9 | RING SPRING 14 | | 1 | | | |
| 003 | 346834-0 | WASHER 16 | | 1 | | | |
| 004 | 233992-0 | RING SPRING 15 | | 1 | | | |
| 005 | 267114-0 | FLAT WASHER 17 | | 1 | | | |
| 006 | 455393-4 | CHUCK COVER | | 1 | | | |
| 007 | 325813-1 | RING 21 | | 1 | | | |
| 008 | 346177-0 | GUIDE WASHER | | 1 | | | |
| 009 | 233916-6 | CONICAL COMP. SPRING 21-29 | | 1 | | | |
| 010 | 126882-3 | GRIP ASSEMBLY | | 1 | | | |
| D10 | | INC. 11-19 | | | | | |
| 011 | 144959-2 | LOCK BUTTON COMPLETE | | 1 | | | |
| 012 | 233360-7 | COMPRESSION SPRING 4 | | 1 | | | |
| 013 | 265625-9 | THUMB SCREW M6X50 | | 1 | | | |
| 014 | 422258-5 | SPONGE SHEET | | 1 | | | |
| 015 | 458355-1 | SIDE HANDLE BASE | | 1 | | | |
| 016 | 931302-2 | HEX. NUT M6 | | 1 | | | |
| 017 | 458357-7 | GRIP 36 | | 1 | | | |
| 018 | 422255-1 | CAP | | 1 | | | |
| 019 | 161838-9 | FIX PIN | | 1 | | | |
| 020 | 266351-3 | TAPPING SCREW 4X35 | | 4 | | | |
| 021 | 144965-7 | GEAR HOUSING COMPLETE | | 1 | | | |
| C10 | 213345-9 | OIL SEAL 25 | | 1 | | | |
| C20 | 331890-3 | CUP SLEEVE | | 1 | | | |
| 022 | 211294-4 | BALL BEARING 6806LLU | | 1 | | | |
| 023 | 211012-0 | BALL BEARING 606ZZ | | 1 | | | |
| 024 | 233360-7 | COMPRESSION SPRING 4 | | 1 | | | |
| 025 | 347228-2 | LOCK PLATE | | 1 | | | |
| 026 | 213278-8 | O RING 17 | | 1 | | | |
| 027 | 135961-6 | CHANGE LEVER ASSY | | 1 | | | |
| D10 | | INC. 26 | | | | | |
| 028 | 234264-6 | COMPRESSION SPRING 3 | | 1 | | | |
| 029 | 457709-9 | LOCK BUTTON | | 1 | | | |
| 030 | 216022-2 | STEEL BALL 7.0 | | 2 | | | |
| 031 | 216019-1 | STEEL BALL 3 | | 4 | | | |
| 032 | 142972-4 | TOOL HOLDER COMPLETE | | 1 | | | |
| C10 | 213344-1 | OIL SEAL 9 | | 1 | | | |
| 033 | 332139-4 | DRIVING FLANGE | | 1 | | | |
| 034 | 227360-7 | SPUR GEAR 51 | | 1 | | | |
| 035 | 234148-8 | COMPRESSION SPRING 31 | | 1 | | | |
| 036 | 267153-0 | FLAT WASHER 30 | | 1 | | | |
| 037 | 257932-4 | SPIRO LOCK WASHER 30 | | 1 | | | |
| 038 | 267153-0 | FLAT WASHER 30 | | 1 | | | |
| 039 | 325783-4 | SLEEVE 9B | | 1 | | | |
| 040 | 325789-2 | IMPACT BOLT A | | 1 | | | |
| 041 | 325792-3 | WASHER 10 | | 1 | | | |
| 042 | 234149-6 | COMPRESSION SPRING 20 | | 1 | | | |

| | | | | | | |
|-------|----------|-------------------------------|---|---|---|--|
| 043 | 325793-1 | O-RING CASE B | | 1 | | |
| 044 | 213073-6 | O RING 9 | | 1 | | |
| 045 | 233979-2 | RING SPRING 28 | | 1 | | |
| 046 | 325784-2 | STRIKER | | 1 | | |
| 047 | 213258-4 | O RING 17.5 | | 1 | | |
| 048 | 327079-9 | PISTON CYLINDER | | 1 | | |
| 049 | 346036-8 | GUIDE PLATE | | 1 | | |
| 050 | 324215-8 | PISTON JOINT | | 1 | | |
| 051 | 232449-8 | COMPRESSION SPRING 14 | | 1 | | |
| 052 | 265A87-7 | TORX SOCKET BUTTON BOLT M4 X8 | | 1 | | |
| 053 | 347344-0 | SPRING GUIDE | | 1 | | |
| 054 | 922148-7 | HEX. SOCKET HEAD BOLT M4X25 | | 2 | | |
| 055 | 144960-7 | INNER SUPPORT COMPLETE | | 1 | | |
| 056 | 257336-0 | STOP RING EXT U-6 | | 1 | | |
| 057 | 253186-1 | FLAT WASHER 7 | | 1 | | |
| 058 | 226170-9 | SPUR GEAR 10 | | 1 | | |
| 059 | 332125-5 | CLUTCH CAM | | 2 | | |
| 060 | 327078-1 | CAM SHAFT | | 1 | | |
| 061 | 219030-2 | SWASH BEARING 10 | | 1 | | |
| 062 | 257321-3 | RING 8 | | 1 | | |
| 063 | 346538-4 | WEIGHT HOLDER GUIDE | | 2 | | |
| 064 | 253077-6 | FLAT WASHER 6 | | 1 | | |
| 065 | 961018-5 | STOP RING E-5 | | 1 | | |
| 066 | 310869-7 | COUNTER WEIGHT | | 1 | | |
| 067 | 922148-7 | HEX. SOCKET HEAD BOLT M4X25 | | 2 | | |
| 068 | 319674-9 | BEARING BOX | | 1 | | |
| 069 | 211032-4 | BALL BEARING 608ZZ | | 1 | | |
| 070 | 347343-2 | BEARING RETAINER B | | 1 | | |
| 071 | 221599-4 | SPIRAL BEVEL GEAR 32 | | 1 | | |
| 072 | 213850-6 | O-RING 74 | | 1 | | |
| 073 | 256536-9 | FLAT FILLISTER HD PIN 6 | | 1 | | |
| 074 | 136194-6 | INNER HOUSING ASS'Y | | 1 | | |
| D10 | | INC. 52,53,72,76,78 | | | | |
| 075 | 232436-7 | COMPRESSION SPRING 10 | | 1 | | |
| 076 | 443153-6 | FELT | | 1 | | |
| 077 | 922118-6 | HEX. SOCKET HEAD BOLT M4X12 | | 2 | | |
| 078 | 213008-7 | O RING 22.4 | | 1 | | |
| 079 | 347230-5 | CHANGE PLATE B | | 1 | | |
| 080 | 234343-0 | COMPRESSION SPRING 5 | | 1 | | |
| 081 | 347229-0 | CHANGE PLATE A | | 1 | | |
| 082 | 346536-8 | BEARING RETAINER A | | 1 | | |
| 083 | 144964-9 | SPIRAL BEVEL GEAR 11 COMPLETE | | 1 | | |
| 084 | 210024-0 | BALL BEARING 608LLU | | 1 | | |
| 085 | 253835-0 | FLAT WASHER 8 | | 1 | | |
| 086 | 519513-5 | ROTOR ASSY | | 1 | * | |
| D10 | | INC. 83-85,87 | | | | |
| 086-1 | 619841-9 | ROTOR | O | 1 | | |
| D10 | | INC. 83-85,87 | | | | |
| 087 | 210022-4 | BALL BEARING 626DDW | | 1 | | |
| 088 | 629454-8 | STATOR | | 1 | | |

| | | | | | | |
|-------|----------|----------------------------|---|---|---|--|
| 089 | 652069-6 | FLAT HEAD SCREW M3X6 | | 3 | | |
| 090 | 266490-9 | TAPPING SCREW PT 2X6 | | 3 | | |
| 091 | 620B98-9 | CONTROLLER | | 1 | * | |
| 091-1 | 620K79-7 | CONTROLLER | < | 1 | * | |
| 091-2 | 620P10-3 | CONTROLLER | < | 1 | | |
| 094 | 140G30-2 | CAP COMPLETE | | 1 | | |
| C10 | 213218-6 | O RING 16 | | 1 | * | |
| C11 | 213A05-9 | O-RING16 | O | 1 | | |
| C20 | 818H48-4 | CAP LABEL | | 1 | | |
| 097 | 127344-4 | HOOK ASS'Y | | 1 | * | |
| 097-1 | 122B76-0 | HOOK ASSEMBLY | < | 1 | | |
| 098 | 911211-1 | PAN HEAD SCREW M5X12 | | 2 | | |
| 099 | 620C01-6 | SENSOR CIRCUIT | | 1 | | |
| 100 | 266007-8 | TAPPING SCREW BIND PT 3X10 | | 1 | | |
| 101 | 256886-2 | ROD 3 | | 2 | | |
| 102 | 422472-3 | SPONGE SLEEVE 3 | | 4 | | |
| 103 | 264002-2 | SQUARE NUT M5 | | 2 | | |
| 104 | 459184-5 | CUSHION RING 12 | | 2 | | |
| 105 | 183N64-4 | HOUSING SET | | 1 | | |
| D10 | | INC. 112 | | | | |
| 106 | 266326-2 | TAPPING SCREW 4X18 | | 8 | | |
| 107 | 856N18-1 | HR001G NAME PLATE | | 1 | | |
| 108 | 8008C4-9 | CLEAR LABEL | | 1 | * | |
| 109 | 620C00-8 | ACCELEROMETER CIRCUIT | | 1 | | |
| 110 | 346039-2 | SUPPORT PLATE | | 1 | | |
| 111 | 620549-0 | LED CIRCUIT | | 1 | | |
| 112 | 183N64-4 | HOUSING SET | | 1 | | |
| D10 | | INC. 105 | | | | |
| 113 | 233598-4 | TORSION SPRING 6 | | 1 | | |
| 114 | 313226-8 | OPENER | | 1 | | |
| 115 | 632P64-8 | TERMINAL UNIT | | 1 | | |
| 116 | 856N25-4 | HR001G SERIAL NO. LABEL | | 1 | | |
| 117 | 266326-2 | TAPPING SCREW 4X18 | | 7 | | |
| 118 | 183N52-1 | HANLDE SET | | 1 | | |
| C10 | 263005-3 | RUBBER PIN 6 | | 2 | | |
| D10 | | INC. 122 | | | | |
| 119 | 453124-5 | F/R CHANGE LEVER | | 1 | | |
| 120 | 651439-6 | SWITCH C3JR-4B-2 | | 1 | | |
| 121 | 8005T5-8 | XGT LOGO LABEL | | 1 | | |
| 122 | 183N52-1 | HANLDE SET | | 1 | | |
| C10 | 263005-3 | RUBBER PIN 6 | | 2 | | |
| D10 | | INC. 118 | | | | |
| 123 | 135966-6 | TOOL HOLDER ASSY | | 1 | | |
| D10 | | INC. 31-37,39-45 | | | | |
| A01 | 331886-4 | DEPTH GAUGE | | 1 | | |
| A02 | 198993-4 | GREASE VESSEL SET | | 1 | | |
| A03 | 443122-7 | CLOTH | | 1 | | |
| B01 | 199233-3 | HAMMER SERVICE KIT | | 1 | | |
| C10 | 195127-0 | OIL VESSEL SET | | 2 | | |
| D10 | | INC. 1,2,4,30,44,45,47 | | | | |
| B02 | 191C37-7 | HOOK SET | | 1 | * | |
| D10 | | INC. 97,98,103 | | | | |

| | | | | | | |
|-------|-----------|--------------------------------|---|---|---|--|
| B02-1 | 191W90-3 | HOOK SET | < | 1 | | |
| C10 | 911218-7 | PAN HEAD SCREW M5X14 | | 2 | | |
| D10 | | INC. 97,103 | | | | |
| F07 | 191E54-9 | DX12DUST COLLECTION SYSTEM SET | | 1 | | |
| F16 | 195548-6 | JOINT 22-38 SET | | 1 | | |
| F21 | 199557-7 | FILTER SET | | 1 | | |
| A05 | 8007T9-2 | HR001GD203 PLASTIC CASE LABEL | | 2 | | |
| A07 | 821552-6 | CONNECTOR PLASTIC CASE (TYPE4) | | 1 | | |
| C10 | 453974-8 | LATCH | | 4 | | |
| A08 | 835C84-5 | INNER TRAY | | 1 | | |
| A09 | ***DX12 | DX12 DUST COLLECTION SYSTEM | | 1 | | |
| D10 | | COMPO-PARTS | | | | |
| D20 | | INC. A10 | | | | |
| A10 | 424474-5 | SEALING CAP | | 5 | | |
| A11 | 191B36-3 | BATTERY BL4025 SET | | 2 | | |
| A12 | 412393-7 | BATTERY COVER | | 1 | * | |
| A12-1 | 412393-7 | BATTERY COVER | < | 2 | | |
| A13 | ***DC40RA | DC40RA FAST CHARGER | | 1 | | |
| D10 | | COMPO-PARTS | | | | |
| A14 | 8007T8-4 | HR001GD203 INDICATION LABEL | | 1 | | |

Please state Parts No. when your order.

Print Date 01/29/2024