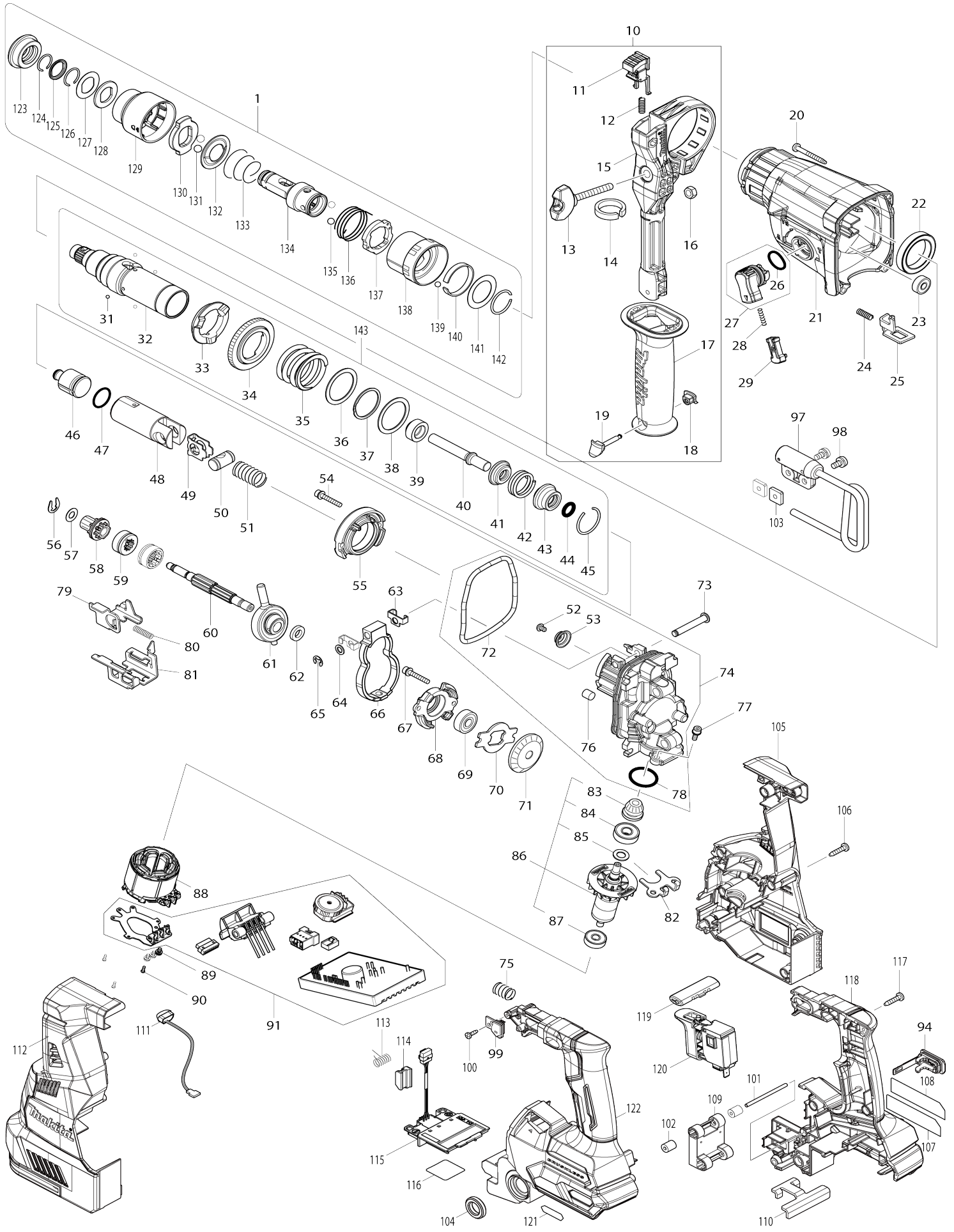


# Model No.HR002G 28MM CRDLS COMBINATION HAMMER



Model No.HR002G 28MM CRDLS COMBINATION HAMMER

Item No.	Parts No.	Description	Interchangability	Q'ty	New/Old	Note1	Note2
001	199138-7	TOOL HOLDER SET		1			
D10		INC. 123-142					
010	126882-3	GRIP ASSEMBLY		1			
D10		INC. 11-19					
011	144959-2	LOCK BUTTON COMPLETE		1			
012	233360-7	COMPRESSION SPRING 4		1			
013	265625-9	THUMB SCREW M6X50		1			
014	422258-5	SPONGE SHEET		1			
015	458355-1	SIDE HANDLE BASE		1			
016	931302-2	HEX. NUT M6		1			
017	458357-7	GRIP 36		1			
018	422255-1	CAP		1			
019	161838-9	FIX PIN		1			
020	266351-3	TAPPING SCREW 4X35		4			
021	144965-7	GEAR HOUSING COMPLETE		1			
C10	213345-9	OIL SEAL 25		1			
C20	331890-3	CUP SLEEVE		1			
022	211294-4	BALL BEARING 6806LLU		1			
023	211012-0	BALL BEARING 606ZZ		1			
024	233360-7	COMPRESSION SPRING 4		1			
025	347228-2	LOCK PLATE		1			
026	213278-8	O RING 17		1			
027	135961-6	CHANGE LEVER ASSY		1			
D10		INC. 26					
028	234264-6	COMPRESSION SPRING 3		1			
029	457709-9	LOCK BUTTON		1			
031	216019-1	STEEL BALL 3		4			
032	144966-5	TOOL HOLDER GUIDE COMPLETE		1			
C10	213344-1	OIL SEAL 9		1			
033	332139-4	DRIVING FLANGE		1			
034	227360-7	SPUR GEAR 51		1			
035	234148-8	COMPRESSION SPRING 31		1			
036	267153-0	FLAT WASHER 30		1			
037	257932-4	SPIRO LOCK WASHER 30		1			
038	267153-0	FLAT WASHER 30		1			
039	325783-4	SLEEVE 9B		1			
040	325791-5	IMPACT BOLT B		1			
041	325792-3	WASHER 10		1			
042	234149-6	COMPRESSION SPRING 20		1			
043	325793-1	O-RING CASE B		1			
044	213073-6	O RING 9		1			
045	233979-2	RING SPRING 28		1			
046	325784-2	STRIKER		1			
047	213258-4	O RING 17.5		1			
048	327079-9	PISTON CYLINDER		1			
049	346036-8	GUIDE PLATE		1			
050	324215-8	PISTON JOINT		1			

051	232449-8	COMPRESSION SPRING 14		1		
052	265A87-7	TORX SOCKET BUTTON BOLT M4 X8		1		
053	347344-0	SPRING GUIDE		1		
054	922148-7	HEX. SOCKET HEAD BOLT M4X25		2		
055	144960-7	INNER SUPPORT COMPLETE		1		
056	257336-0	STOP RING EXT U-6		1		
057	253186-1	FLAT WASHER 7		1		
058	226170-9	SPUR GEAR 10		1		
059	332125-5	CLUTCH CAM		2		
060	327078-1	CAM SHAFT		1		
061	219030-2	SWASH BEARING 10		1		
062	257321-3	RING 8		1		
063	346538-4	WEIGHT HOLDER GUIDE		2		
064	253077-6	FLAT WASHER 6		1		
065	961018-5	STOP RING E-5		1		
066	310869-7	COUNTER WEIGHT		1		
067	922148-7	HEX. SOCKET HEAD BOLT M4X25		2		
068	319674-9	BEARING BOX		1		
069	211032-4	BALL BEARING 608ZZ		1		
070	347343-2	BEARING RETAINER B		1		
071	221599-4	SPIRAL BEVEL GEAR 32		1		
072	213850-6	O-RING 74		1		
073	256536-9	FLAT FILLISTER HD PIN 6		1		
074	136194-6	INNER HOUSING ASS'Y		1		
D10		INC. 52,53,72,76,78				
075	232436-7	COMPRESSION SPRING 10		1		
076	443153-6	FELT		1		
077	922118-6	HEX. SOCKET HEAD BOLT M4X12		2		
078	213008-7	O RING 22.4		1		
079	347230-5	CHANGE PLATE B		1		
080	234343-0	COMPRESSION SPRING 5		1		
081	347229-0	CHANGE PLATE A		1		
082	346536-8	BEARING RETAINER A		1		
083	144964-9	SPIRAL BEVEL GEAR 11 COMPLETE		1		
084	210024-0	BALL BEARING 608LLU		1		
085	253835-0	FLAT WASHER 8		1		
086	519513-5	ROTOR ASSY		1	*	
D10		INC. 83-85,87				
086-1	619841-9	ROTOR	O	1		
D10		INC. 83-85,87				
087	210022-4	BALL BEARING 626DDW		1		
088	629454-8	STATOR		1		
089	652069-6	FLAT HEAD SCREW M3X6		3		
090	266490-9	TAPPING SCREW PT 2X6		3		
091	620B98-9	CONTROLLER		1	*	
091-1	620K79-7	CONTROLLER	<	1	*	
091-2	620P10-3	CONTROLLER	<	1		
094	140G30-2	CAP COMPLETE		1		
C10	213218-6	O RING 16		1	*	
C11	213A05-9	O-RING16	O	1		

C20	818H48-4	CAP LABEL		1		
097	127344-4	HOOK ASS'Y		1	*	
097-1	122B76-0	HOOK ASSEMBLY	<	1		
098	911211-1	PAN HEAD SCREW M5X12		2		
099	620C01-6	SENSOR CIRCUIT		1		
100	266007-8	TAPPING SCREW BIND PT 3X10		1		
101	256886-2	ROD 3		2		
102	422472-3	SPONGE SLEEVE 3		4		
103	264002-2	SQUARE NUT M5		2		
104	459184-5	CUSHION RING 12		2		
105	183N64-4	HOUSING SET		1		
D10		INC. 112				
106	266326-2	TAPPING SCREW 4X18		8		
107	856N37-7	HR002G NAME PLATE		1		
108	8008C4-9	CLEAR LABEL		1	*	
109	620C00-8	ACCELEROMETER CIRCUIT		1		
110	346039-2	SUPPORT PLATE		1		
111	620549-0	LED CIRCUIT		1		
112	183N64-4	HOUSING SET		1		
D10		INC. 105				
113	233598-4	TORSION SPRING 6		1		
114	313226-8	OPENER		1		
115	632P64-8	TERMINAL UNIT		1		
116	856N43-2	HR002G SERIAL NO. LABEL		1		
117	266326-2	TAPPING SCREW 4X18		7		
118	183N52-1	HANLDE SET		1		
C10	263005-3	RUBBER PIN 6		2		
D10		INC. 122				
119	453124-5	F/R CHANGE LEVER		1		
120	651439-6	SWITCH C3JR-4B-2		1		
121	8005T5-8	XGT LOGO LABEL		1		
122	183N52-1	HANLDE SET		1		
C10	263005-3	RUBBER PIN 6		2		
D10		INC. 118				
123	286288-8	CAP 35		1		
124	233989-9	RING SPRING 14		1		
125	346221-3	WASHER 16		1		
126	233992-0	RING SPRING 15		1		
127	267437-6	FLAT WASHER 17		1		
128	424364-2	RUBBER WASHER 16		1		
129	458358-5	CHUCK COVER		1		
130	327081-2	STOPPER		1		
131	216022-2	STEEL BALL 7.0		2		
132	346177-0	GUIDE WASHER		1		
133	233916-6	CONICAL COMP. SPRING 21-29		1		
134	327080-4	TOOL HOLDER		1		
135	216013-3	STEEL BALL 6		2		
136	231669-1	TORSION SPRING 31		1		
137	345334-7	CHANGE RING		1		
138	418218-3	CHANGE COVER		1		
139	216018-3	STEEL BALL 5.0		1		
140	345335-5	LEAF SPRING		1		

141	267270-6	FLAT WASHER 24		1		
142	233924-7	RING SPRING 21		1		
143	135965-8	TOOL HOLDER ASSY		1		
D10		INC. 31-45				
A01	331886-4	DEPTH GAUGE		1		
A02	198993-4	GREASE VESSEL SET		1		
A03	443122-7	CLOTH		1		
A04	199139-5	DRILL CHUCK SET		1		
B01	195833-7	HAMMER SERVICE KIT		1		
C10	195127-0	OIL VESSEL SET		2		
D10		INC. 44,45,47,123,124,126,128,				
D20		INC. 131				
B02	191C37-7	HOOK SET		1	*	
D10		INC. 97,98,103				
B02-1	191W90-3	HOOK SET	<	1		
C10	911218-7	PAN HEAD SCREW M5X14		2		
D10		INC. 97,103				
F07	191E60-4	DX14DUST COLLECTION SYSTEM SET		1		
F16	195548-6	JOINT 22-38 SET		1		
F21	199557-7	FILTER SET		1		
F40	199138-7	TOOL HOLDER SET		1		
F41	199139-5	DRILL CHUCK SET		1		
A05	8007X1-6	HR002GM202 PLASTIC CASE LABEL		2		
A06	198900-7	WIRELESS UNIT SET		1	*	
A06-1	198900-7	WIRELESS UNIT SET	<	1	*	
A06-2	198900-7	WIRELESS UNIT SET	<	1		
A07	821552-6	CONNECTOR PLASTIC CASE (TYPE4)		1		
C10	453974-8	LATCH		4		
A08	835C84-5	INNER TRAY		1		
A09	8007X0-8	HR002GM202 INDICATION LABEL		1		
A11	191B26-6	BATTERY BL4040 SET		2		
A12	412393-7	BATTERY COVER		1	*	
A12-1	412393-7	BATTERY COVER	<	2		
A13	***DC40RA	DC40RA FAST CHARGER		1		
D10		COMPO-PARTS				
A05	8007V6-2	HR002GZ02 PLASTIC CASE LABEL		2		
A09	8007V5-4	HR002GZ02 INDICATION LABEL		1		

Please state Parts No. when your order.

Print Date 01/29/2024