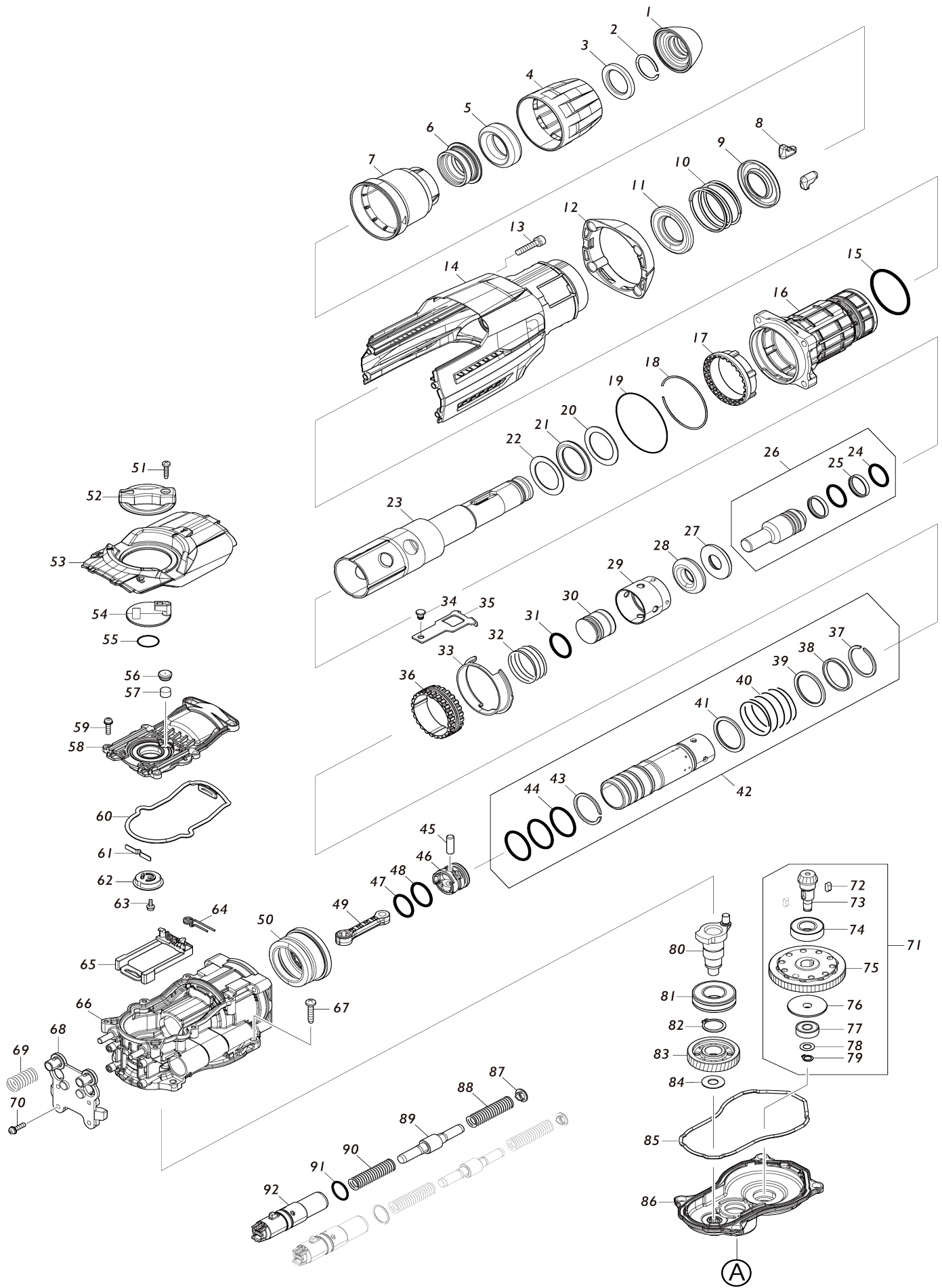
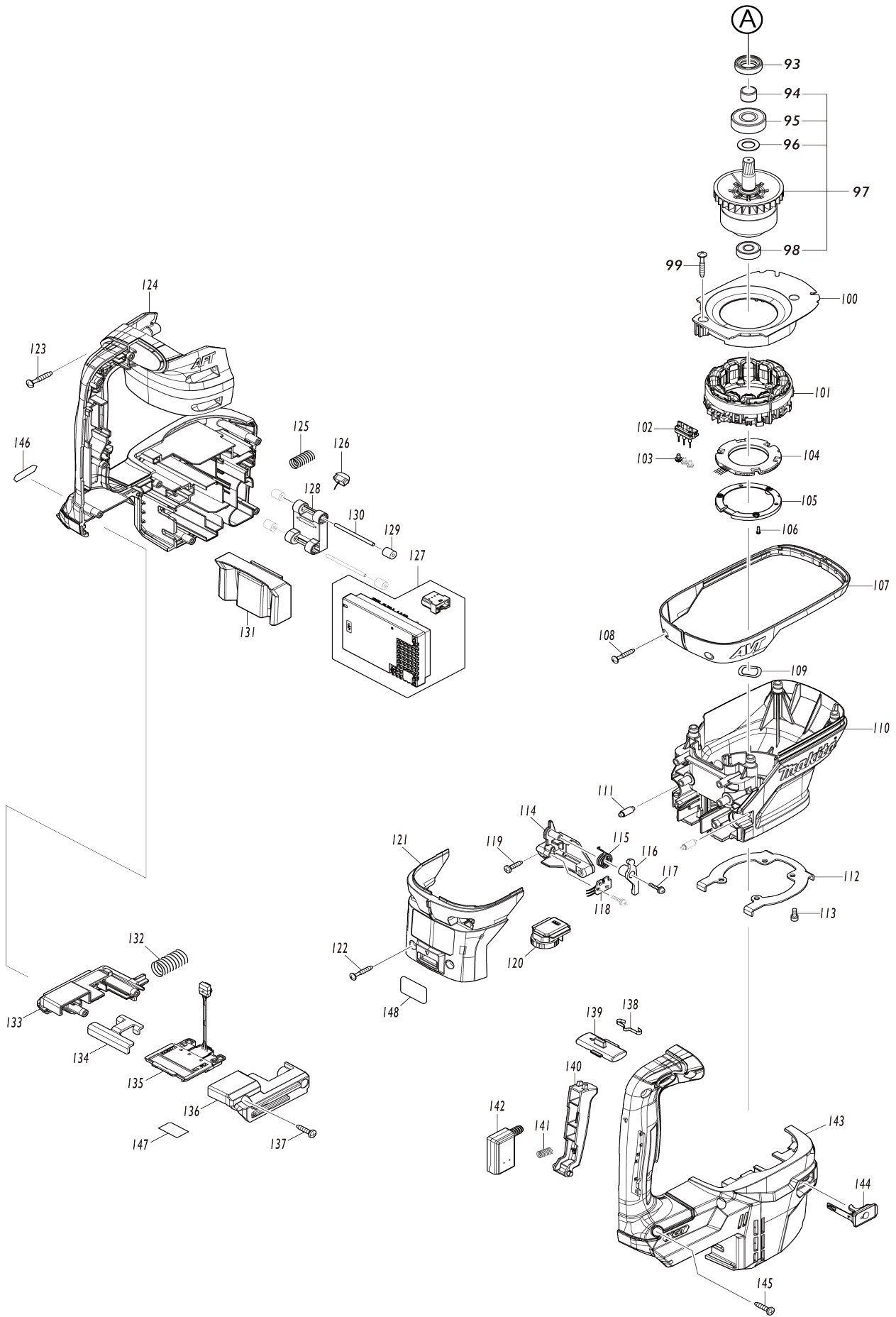


# Model No.HR005G 40MM CORDLESS ROTARY HAMMER



# Model No.HR005G 40MM CORDLESS ROTARY HAMMER



Model No.HR005G 40MM CORDLESS ROTARY HAMMER

Item No.	Parts No.	Description	Interchangability	Q'ty	New/Old	Note1	Note2
001	286292-7	TOOL HOLDER CAP		1			
002	233948-3	RING SPRING 25		1			
003	257308-5	RING 28		1			
004	454330-5	CHUCK COVER		1			
005	262167-4	RUBBER RING 30		1			
006	326272-2	CHUCK RING		1			
007	454331-3	RELEASE COVER		1			
008	310257-8	TOOL RETAINER		2			
009	346670-4	SPRING GUIDE		1			
010	234288-2	COMPRESSION SPRING 46		1			
011	346670-4	SPRING GUIDE		1			
012	424560-2	HOUSING CAP		1			
013	922351-0	HEX. SOCKET HEAD BOLT M6X30		4			
014	141957-7	HOUSING COVER A COMPLETE		1			
C10	810100-6	CAUTION LABEL		1			
015	213615-6	O RING 46		1			
016	141956-9	BARREL COMPLETE		1			
C10	213490-0	OIL SEAL 32		1			
C20	213492-6	O-RING 32		1			
C30	233963-7	RING SPRING 45		1			
017	454337-1	LOCK SLEEVE		1			
018	234290-5	RING SPRING 59		1			
019	213707-1	O RING 65		1			
020	267469-3	FLAT WASHER 32		1			
021	262168-2	RUBBER RING 32		1			
022	267469-3	FLAT WASHER 32		1			
023	326268-3	TOOL HOLDER		1			
024	213317-4	O RING 20		2			
025	213392-0	FLUORIDE RING 25		2			
026	136377-8	IMPACT BOLT ASSY		1			
D10		INC. 24,25					
027	326274-8	RING 17		1			
028	262166-6	RUBBER RING 18		1			
029	454347-8	SLIDE SLEEVE		1			
030	326270-6	STRIKER		1			
031	213695-2	O-RING 22		1			
032	234289-0	COMPRESSION SPRING 33		1			
033	346673-8	GUIDE RING		1			
034	256548-2	FLAT FILLISTER HEAD PIN 6		1			
035	346671-2	LINK PLATE		1			
036	313255-1	DRIVING SLEEVE		1			
037	257991-8	RETAINING RING (EXT) WR-32.5		1			
038	257340-9	RING 33		1			
039	267470-8	FLAT WASHER 33		1			
040	234287-4	COMPRESSION SPRING 34		1			
041	267470-8	FLAT WASHER 33		1			
042	136378-6	CYLINDER ASSY		1			

D10		INC. 37-41,43,44				
043	257991-8	RETAINING RING (EXT) WR-32.5		1		
044	213406-5	O RING 30		3		
045	256197-5	PIN 7		1		
046	419004-5	PISTON		1		
047	213379-2	O RING 21		1		
048	213695-2	O-RING 22		1		
049	454317-7	CONNECTING ROD		1		
050	227613-4	SPIRAL BEVEL GEAR 26		1		
051	265995-6	TAPPING SCREW 4X18		1		
052	454326-6	CHANGE LEVER		1		
053	313325-6	CRANK CAP COVER		1		
054	454345-2	CRANK LEVER		1		
055	213262-3	O RING 18		1		
056	424556-3	FILTER CAP		1		
057	443182-9	FILTER		1		
058	454319-3	CRANK CAP		1		
059	911128-8	P.H.SCREW M4X16 WITH WR		6		
060	424559-7	SEAL RING B		1		
061	232280-2	LEAF SPRING		1		
062	458100-4	LINK LEVER		1		
063	911511-9	PAN HEAD SCREW M4X10		1		
064	233603-7	TORSION SPRING 7		1		
065	454338-9	LINK GUIDE		1		
066	141953-5	CRANK HOUSING A COMPLETE		1		
067	266041-8	TAPPING SCREW 5X25		4		
068	140Y51-2	SPRING HOLDER COMPLETE		1		
C10	422646-6	CAP 10		2		
069	234282-4	COMPRESSION SPRING 12		2		
070	911128-8	P.H.SCREW M4X16 WITH WR		4		
071	126290-8	TORQUE LIMITER ASSEMBLY		1		
D10		INC. 72-79				
072	254239-9	KEY 4		2		
073	227612-6	SPIRAL BEVEL GEAR 7		1		
074	211232-6	BALL BEARING 6002LLU		1		
075	141959-3	TORQUE LIMITER COMPLETE		1		
076	324727-1	SHOULDER WASHER 8		1		
077	210005-4	BALL BEARING 608DDW		1		
078	253215-0	FLAT WASHER 8		1		
079	961004-6	RETAINING RING (EXT) S-8		1		
080	326271-4	CRANK SHAFT		1		
081	210183-0	BALL BEARING 6004LLU		1		
082	961060-6	RETAINING RING S-20		1		
083	227772-4	HELICAL GEAR 37		1		
084	253180-3	FLAT WASHER 10		1		
085	424558-9	SEAL RING A		1		
086	141955-1	GEAR HOUSING COMPLETE		1		
087	454342-8	SPRING PLATE		2		
088	234286-6	COMPRESSION SPRING 11		2		
089	326273-0	COUNTER WEIGHT		2		
090	234286-6	COMPRESSION SPRING 11		2		
091	213325-5	O RING 19		2		

092	142289-5	HOLDER COMPLETE		2		
093	213231-4	OIL SEAL 15		1		
094	331596-3	SLEEVE 12		1		
095	211137-0	BALL BEARING 6201LLU		1		
096	253744-3	FLAT WASHER 12		1		
097	519492-7	ROTOR ASS'Y		1	*	
D10		INC. 94-96,98				
097-1	519707-2	ROTOR ASSY	O	1		
D10		INC. 94-96,98				
098	210005-4	BALL BEARING 608DDW		1		
099	265999-8	TAPPING SCREW 4X25		2		
100	458099-3	BAFFLE PLATE		1		
101	629335-6	STATOR		1		
102	632R64-0	LEAD UNIT		1		
103	652031-1	PAN HEAD SCREW M3X6		3		
104	620D76-1	CONTROLLER B		1		
105	687B69-9	STOPPER		1		
106	266490-9	TAPPING SCREW PT 2X6		3		
107	454348-6	GUARD 40		1		
108	265999-8	TAPPING SCREW 4X25		2		
109	267721-9	WAVE WASHER 15		1		
110	458051-1	MOTOR HOUSING		1		
111	256380-4	SHOULDER PIN 4-6		2		
112	347299-9	GUIDE PLATE		1		
113	922111-0	HEX. SOCKET HEAD BOLT M4X10		4		
114	412951-9	BASE		1		
115	232643-2	TORSION SPRING 13		1		
116	140W56-0	LEVER COMPLETE		1		
117	263046-9	TAPPING SCREW 3X14		2		
118	620D75-3	SENSOR CIRCUIT		1		
119	265995-6	TAPPING SCREW 4X18		2		
120	620796-3	DIAL CIRCUIT		1		
121	140W55-2	MOTOR HOUSING COVER COMPLETE		1		
C10	422564-8	SPONGE SHEET		1	*	
C11	422730-7	RUBBER SHEET	<	1		
122	265999-8	TAPPING SCREW 4X25		2		
123	265999-8	TAPPING SCREW 4X25		4		
124	183R84-2	HOUSING SET		1		
D10		INC. 143				
125	232411-3	COMPRESSION SPRING 8		1		
126	620549-0	LED CIRCUIT		1		
127	620D73-7	CONTROLLER		1	*	
127-1	620D73-7	CONTROLLER	O	1		
128	620D74-5	ACCELEROMETER CIRCUIT		1		
129	422472-3	SPONGE SLEEVE 3		4		
130	256886-2	ROD 3		2		
131	422642-4	CUSHION RUBBER		1		
132	232650-5	COMPRESSION SPRING 13		1		
133	183R85-0	BATTERY HOLDER SET		1		
C10	263005-3	RUBBER PIN 6		2		
D10		INC. 136				

134	346039-2	SUPPORT PLATE		1		
135	632P49-4	TERMINAL UNIT		1		
136	183R85-0	BATTERY HOLDER SET		1		
C10	263005-3	RUBBER PIN 6		2		
D10		INC. 133				
137	265995-6	TAPPING SCREW 4X18		2		
138	232152-1	LEAF SPRING		1		
139	412953-5	TRIGGER LOCK		1		
140	458097-7	SWITCH LEVER		1		
141	232418-9	COMPRESSION SPRING 5		1		
142	651083-9	SWITCH C3XA-1PSPM		1		
143	183R84-2	HOUSING SET		1		
D10		INC. 124				
144	140F99-0	CAP COMPLETE		1		
C10	213218-6	O RING 16		1		
C20	818H07-8	CAP LABEL		1		
145	265995-6	TAPPING SCREW 4X18		8		
146	8012U4-2	XGT LOGO LABEL		1		
147	857X76-0	HR005G SERIAL NO. LABEL		1		
148	857X71-0	HR005G NAME PLATE		1		
A01	123138-5	SIDE GRIP ASSEMBLY		1		
A02	196792-8	SIDE HANDLE 73 SET		1		
A03	194683-7	GREASE VESSEL SET		1		
A04	821837-0	PLASTIC CASE		1		
A05	331955-1	DEPTH GAUGE		1		
A06	443122-7	CLOTH		1		
A07	198900-7	WIRELESS UNIT SET		1	*	
A07-1	198900-7	WIRELESS UNIT SET	<	1	*	
A07-2	198900-7	WIRELESS UNIT SET	<	1		
B01	191N29-2	HAMMER SERVICE KIT		1		
C10	181490-7	HAMMER GREASE 30G		2		
D10		INC. 1,2,8,24,25,31,47,48				
F04	199142-6	DUST EXTRACTOR ATT SET(EU)		1		
F05	199143-4	DUST EXTRACTOR ATT SET(EU)		1		
F06	199144-2	DUST EXTRACTOR ATT SET(EU)		1		
A08	412393-7	BATTERY COVER		2		
A09	191B26-6	BATTERY BL4040 SET		2		
A10	***DC40RA	DC40RA FAST CHARGER		1		
D10		COMPO-PARTS				

Please state Parts No. when your order.

Print Date 10/27/2023