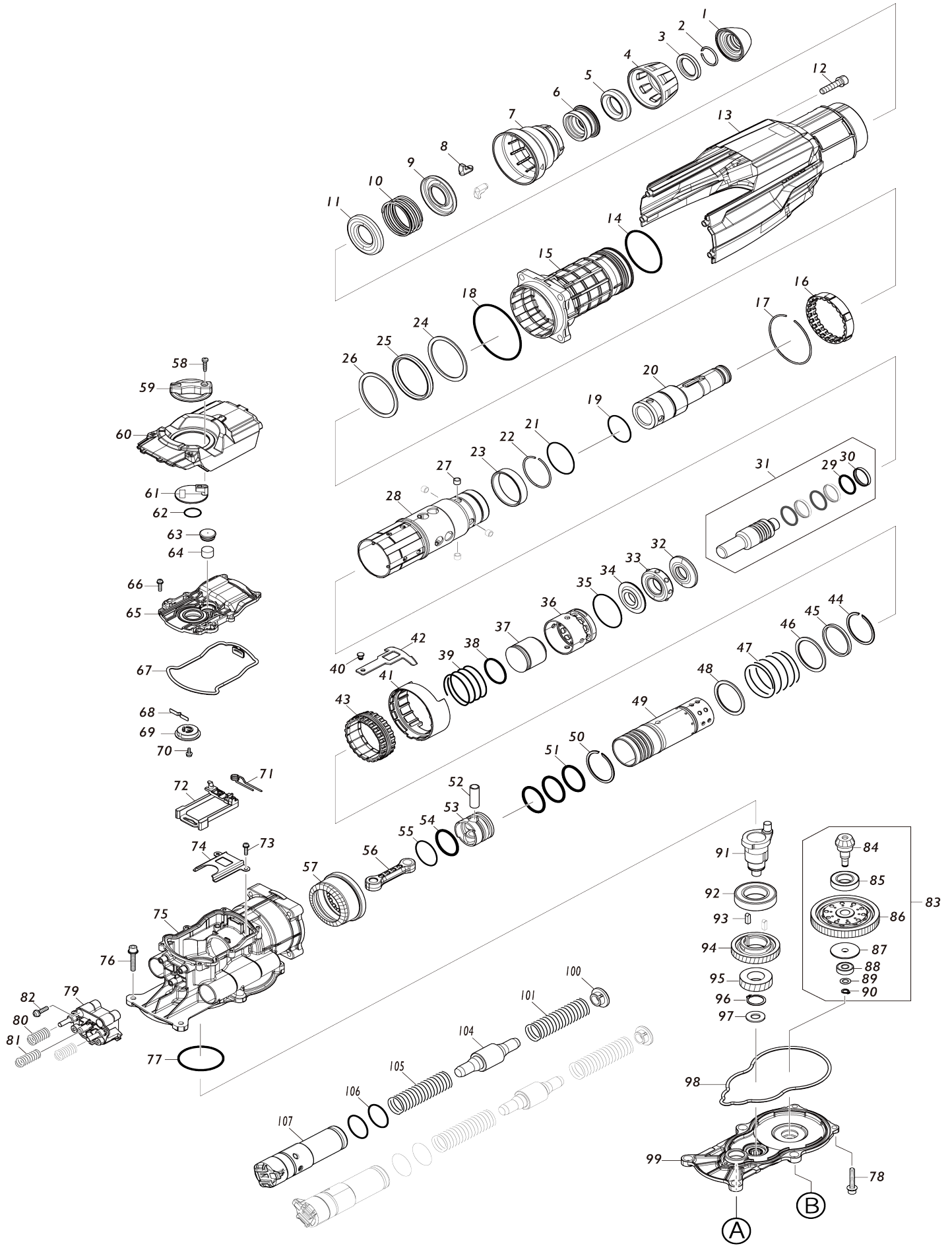
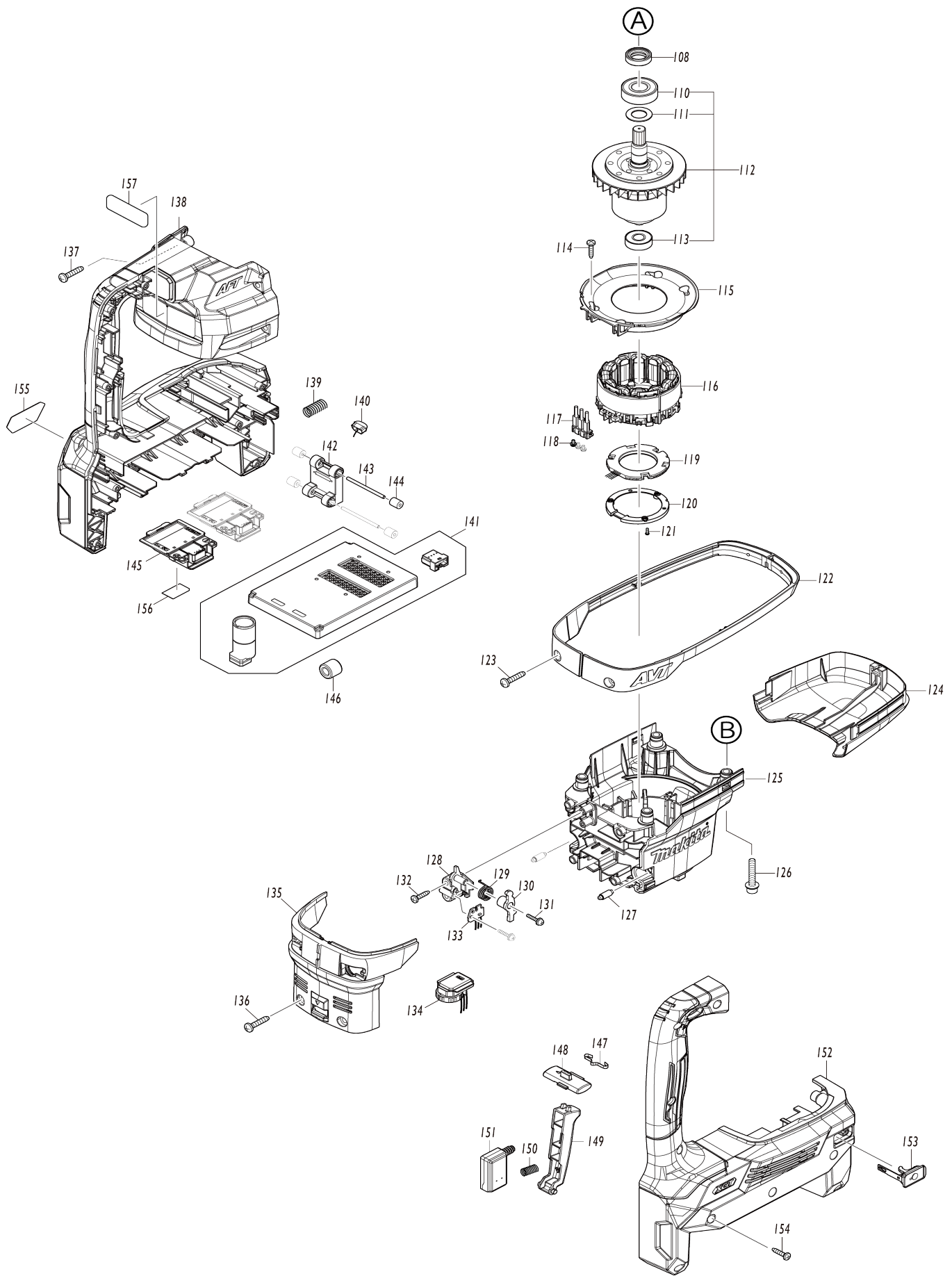


Model No.HR006G 52MM CORDLESS ROTARY HAMMER



Model No.HR006G 52MM CORDLESS ROTARY HAMMER



Model No.HR006G 52MM CORDLESS ROTARY HAMMER

Item No.	Parts No.	Description	Interchangability	Q'ty	New/Old	Note1	Note2
001	286292-7	TOOL HOLDER CAP		1			
002	233948-3	RING SPRING 25		1			
003	257367-9	RING 28		1			
004	454767-6	CHUCK COVER		1			
005	262172-1	RUBBER RING 29		1			
006	327868-2	CHUCK RING		1			
007	454768-4	RELEASE COVER		1			
008	310178-4	TOOL RETAINER		2			
009	346751-4	SPRING GUIDE		1			
010	234317-1	COMPRESSION SPRING 49		1			
011	346751-4	SPRING GUIDE		1			
012	922456-6	HEX. SOCKET HEAD BOLT M8X35		4			
013	140Y01-7	HOUSING COVER COMPLETE		1			
C10	810100-6	CAUTION LABEL		1			
014	213664-3	O RING 60		1			
015	142408-3	BARREL COMPLETE		1			
C10	213663-5	O RING 55		1			
C20	213778-8	OIL SEAL 42		1			
C30	214603-6	PLANE BEARING 49		1			
C40	259056-2	RING SPRING 54		1			
016	454769-2	LOCK SLEEVE		1			
017	259057-0	RING SPRING 74		1			
018	213766-5	O-RING 78		1			
019	213789-3	O-RING 38		1			
020	327735-1	TOOL HOLDER A		1			
021	213779-6	O-RING 45		1			
022	231989-3	RING SPRING 46		1			
023	257353-0	RING 49		1			
024	267477-4	FLAT WASHER 60		1			
025	262171-3	RUBBER RING 60		1			
026	267477-4	FLAT WASHER 60		1			
027	268308-0	PIN 9		4			
028	326362-1	TOOL HOLDER B		1			
029	213394-6	O RING 23		3			
030	213431-6	FLUORIDE RING 28		3			
031	136413-0	IMPACT BOLT ASSY		1			
D10		INC. 29,30					
032	324756-4	RING 20		1			
033	424000-0	RUBBUR RING 24		1			
034	327734-3	SHOULDER WASHER 20		1			
035	213783-5	O-RING 48		1			
036	413263-3	SLIDE SLEEVE		1			
037	327731-9	STRIKER		1			
038	213781-9	O-RING 33		1			
039	234318-9	COMPRESSION SPRING 45		1			
040	256548-2	FLAT FILLISTER HEAD PIN 6		1			
041	454779-9	GUIDE RING		1			

042	346749-1	LINK PLATE		1		
043	313272-1	DRIVING SLEEVE		1		
044	257994-2	RETAINING RING(EXT)WR-44		1		
045	257355-6	RING 44		1		
046	267478-2	FLAT WASHER 44		1		
047	234319-7	COMPRESSION SPRING 46		1		
048	267478-2	FLAT WASHER 44		1		
049	327730-1	CYLINDER 40		1		
050	257994-2	RETAINING RING(EXT)WR-44		1		
051	213460-9	O RING 35		3		
052	257820-5	SLEEVE 9		1		
053	312A68-3	PISTON		1		
054	213782-7	O-RING 30		1		
055	213460-9	O RING 35		1		
056	413261-7	CONNECTING ROD		1		
057	227625-7	SPIRAL BEVEL GEAR 33		1		
058	265995-6	TAPPING SCREW 4X18		1		
059	454326-6	CHANGE LEVER		1		
060	312A70-6	CRANK CAP COVER		1		
061	454345-2	CRANK LEVER		1		
062	213262-3	O RING 18		1		
063	424607-2	FILTER CAP		1		
064	443129-3	FILTER		1		
065	454764-2	CRANK CAP		1		
066	911128-8	P.H.SCREW M4X16 WITH WR		6		
067	424608-0	SEAL RING B		1	*	
067-1	422787-8	SEAL RING B	<	1		
068	232280-2	LEAF SPRING		1		
069	413827-3	LINK LEVER		1		
070	911511-9	PAN HEAD SCREW M4X10		1		
071	233611-8	TORSION SPRING 7		1		
072	454778-1	LINK GUIDE		1		
073	911128-8	P.H.SCREW M4X16 WITH WR		2		
074	346748-3	GUIDE RAIL		1		
075	140Y00-9	CRANK HOUSING A COMPLETE		1	*	
075-1	141H08-4	CRANK HOUSING A COMPLETE	<	1		
076	922359-4	H.S.H.BOLT M6X35 WITH WG		2		
077	213662-7	O RING 55		1		
078	922359-4	H.S.H.BOLT M6X35 WITH WG		2		
079	413264-1	SPRING BASE		1		
080	232662-8	COMPRESSION SPRING 12		2		
081	232664-4	COMPRESSION SPRING 10		1		
082	911233-1	PAN HEAD SCREW M5X20		3		
083	127823-2	TORQUE LIMITER ASSEMBLY		1		
D10		INC. 84-90				
084	227628-1	SPIRAL BEVEL GEAR 10		1		
085	210256-9	BALL BEARING 6904LLB		1		
086	142410-6	TORQUE LIMITER COMPLETE		1		
087	324727-1	SHOULDER WASHER 8		1		
088	210005-4	BALL BEARING 608DDW		1		
089	253215-0	FLAT WASHER 8		1		
090	961004-6	RETAINING RING (EXT) S-8		1		

091	327729-6	CRANK SHAFT		1		
092	210255-1	BALL BEARING 6006LLB		1		
093	254229-2	KEY 5		2		
094	227788-9	HELICAL GEAR 46		1		
095	227336-4	SPUR GEAR 26		1		
096	961102-6	RETAINING RING S-22		1		
097	253843-1	FLAT WASHER 12		1		
098	424609-8	SEAL RING A		1	*	
098-1	422786-0	SEAL RING A	<	1		
099	142409-1	GEAR HOUSING COMPLETE		1		
100	454774-9	SPRING PLATE		2		
101	233497-0	COMPRESSION SPRING 15		2		
104	326375-2	COUNTER WEIGHT		2		
105	233497-0	COMPRESSION SPRING 15		2		
106	213953-6	O RING 24		4		
107	141E52-3	HOLDER COMPLETE		2		
108	213231-4	OIL SEAL 15		1		
110	211228-7	BALL BEARING 6202DDW		1		
111	267215-4	FLAT WASHER 15		1		
112	519652-1	ROTOR ASSY		1	*	
D10		INC. 110,111,113				
112-1	519652-1	ROTOR ASSY	O	1		
D10		INC. 110,111,113				
113	210059-1	BALL BEARING 6000DDW		1		
114	265995-6	TAPPING SCREW 4X18		4		
115	413260-9	BAFFLE PLATE		1		
116	629A27-3	STATOR		1		
117	632R89-4	LEAD UNIT		1		
118	652031-1	PAN HEAD SCREW M3X6		3		
119	620E26-2	CONTROLLER B		1		
120	687B69-9	STOPPER		1		
121	266490-9	TAPPING SCREW PT 2X6		3		
122	454780-4	GUARD 52		1		
123	266041-8	TAPPING SCREW 5X25		2		
124	454763-4	GEAR HOUSING COVER		1		
125	413256-0	MOTOR HOUSING		1		
126	922359-4	H.S.H.BOLT M6X35 WITH WG		2	*	
126-1	922359-4	H.S.H.BOLT M6X35 WITH WG	O	2		
127	256380-4	SHOULDER PIN 4-6		2		
128	412985-2	BASE		1		
129	232643-2	TORSION SPRING 13		1		
130	140W48-9	LEVER COMPLETE		1		
131	263046-9	TAPPING SCREW 3X14		2		
132	265995-6	TAPPING SCREW 4X18		2		
133	620E28-8	SENSOR CIRCUIT		1		
134	620E29-6	DIAL CIRCUIT		1		
135	140X97-2	MOTOR HOUSING COVER COMPLETE		1		
C10	422660-2	RUBBER SHEET		1		
136	266041-8	TAPPING SCREW 5X25		2		
137	266041-8	TAPPING SCREW 5X25		4		
138	183S32-7	HOUSING SET		1		

C10	263005-3	RUBBER PIN 6		8		
C20	347755-9	GUARD RAIL		2		
C30	422646-6	CAP 10		2		
C40	347782-6	PLATE		4		
D10		INC. 152				
139	232663-6	COMPRESSION SPRING 8		1		
140	620E27-0	LED CIRCUIT		1		
141	620E25-4	CONTROLLER		1		
142	620E30-1	ACCELEROMETER CIRCUIT		1		
143	256886-2	ROD 3		2		
144	422472-3	SPONGE SLEEVE 3		4		
145	632R98-3	TERMINAL UNIT		2		
146	688163-8	LINE FILTER		1		
147	232152-1	LEAF SPRING		1		
148	412953-5	TRIGGER LOCK		1		
149	458097-7	SWITCH LEVER		1		
150	232418-9	COMPRESSION SPRING 5		1		
151	651083-9	SWITCH C3XA-1PSPM		1		
152	183532-7	HOUSING SET		1		
C10	263005-3	RUBBER PIN 6		8		
C20	347755-9	GUARD RAIL		2		
C30	422646-6	CAP 10		2		
C40	347782-6	PLATE		4		
D10		INC. 138				
153	140F99-0	CAP COMPLETE		1		
C10	213218-6	O RING 16		1		
C20	818H07-8	CAP LABEL		1		
154	265995-6	TAPPING SCREW 4X18		10		
155	8029M5-9	XGT LOGO LABEL		1		
156	811996-8	HR006G SERIAL NO. LABEL		1		
157	811990-0	HR006G NAME PLATE		1		
A01	198993-4	GREASE VESSEL SET		1		
A02	331955-1	DEPTH GAUGE		1		
A03	443122-7	CLOTH		1		
A04	135629-4	SIDE GRIP ASSEMBLY		1		
C10	158131-0	GRIP 36 COMPLETE		1		
C20	234226-4	COMPRESSION SPRING 6		1		
C30	266163-4	CUP SQUARE NECK BOLT M8X80		1		
C40	313223-4	RACK GUIDE		1		
C50	344492-6	PLATE		1		
C60	346750-6	GRIP SPRING 90		1		
C70	453114-8	LOCK BUTTON		1		
C80	454781-2	SIDE GRIP BASE 90		1		
A05	135283-4	SIDE HANDLE 90 ASSEMBLY		1		
C10	252640-2	WING NUT M8		1		
C20	265439-6	HEX. BOLT M8X150		1		
C30	318430-4	SIDE HANDLE BASE 90A		1		
C40	318431-2	SIDE HANDLE BASE 90B		1		
C50	417002-3	SIDE HANDLE CAM		2		
C60	417003-1	SIDE HANDLE		1		
C70	951166-8	SPRING PIN 5-24		1		

A06	821848-5	PLASTIC CASE		1		
A07	8030B5-1	HR006GZ PLASTIC CASE LABEL		2		
B01	191N79-7	HAMMER SERVICE KIT		1		
C10	181490-7	HAMMER GREASE 30G		4		
D10		INC. 1,2,8,29,30,38,54				
F08	199143-4	DUST EXTRACTOR ATT SET(EU)		1		
F09	199144-2	DUST EXTRACTOR ATT SET(EU)		1		

Please state Parts No. when your order.

Print Date 10/26/2023