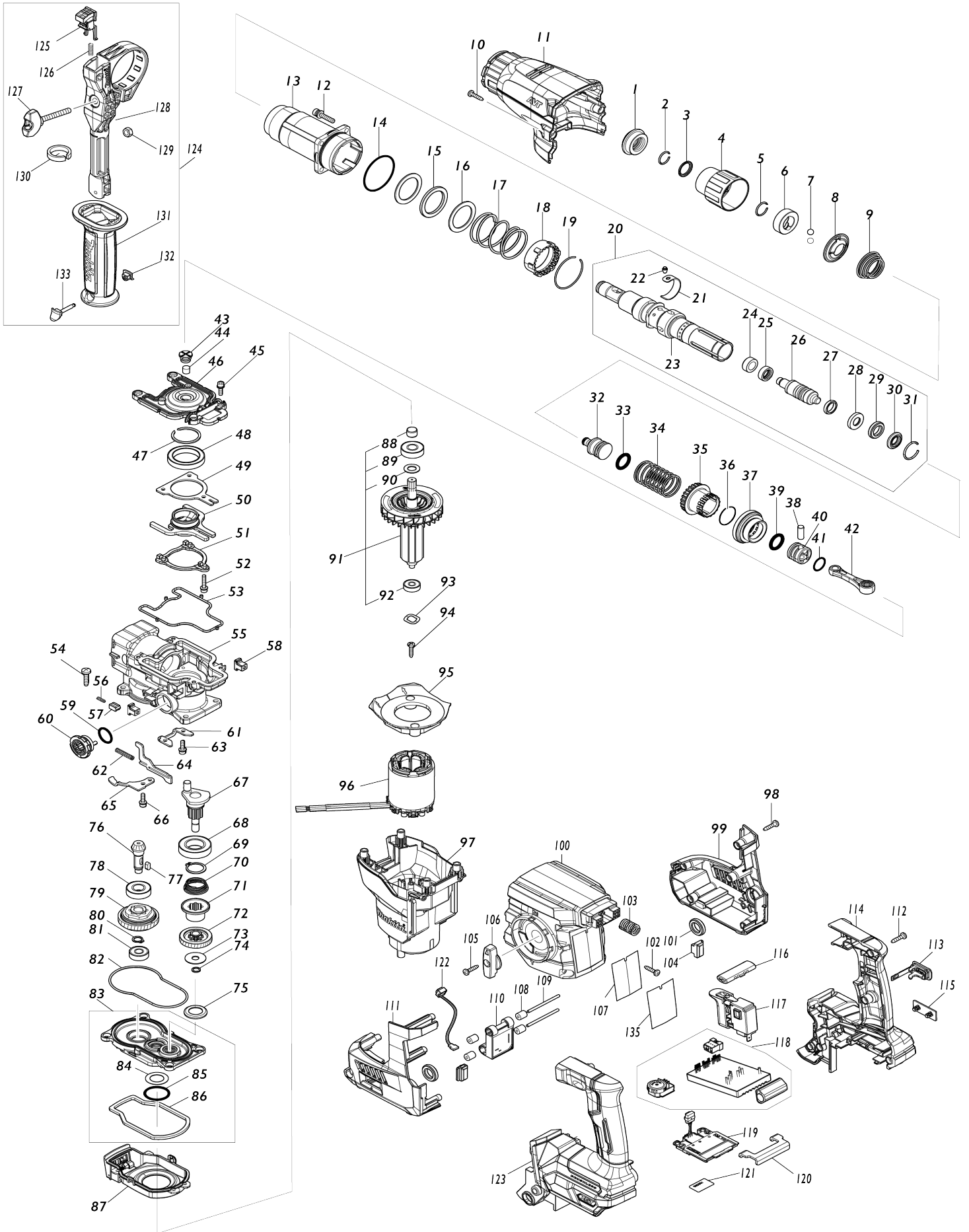


Model No.HR008G 30MM CRDLS COMBINATION HAMMER



Model No.HR008G 30MM CRDLS COMBINATION HAMMER

Item No.	Parts No.	Description	Interc hang eabilit y	Q'ty	New/ Old	Note1	Note2
001	286288-8	CAP 35		1			
002	233989-9	RING SPRING 14		1			
003	346834-0	WASHER 16		1			
004	459685-3	CHUCK COVER		1			
005	233992-0	RING SPRING 15		1			
006	327269-4	RING 17		1			
007	216022-2	STEEL BALL 7.0		2			
008	347944-6	GUIDE WASHER		1			
009	232503-8	CONICAL COMP. SPRING 21-34		1			
010	266326-2	TAPPING SCREW 4X18		2			
011	459167-5	BARREL COVER		1			
012	266793-1	HEX. S.H.B. M5X25 WITH WR		4			
013	140J35-0	BARREL COMPLETE		1			
C10	213636-8	OIL SEAL 25		1			
014	213620-3	O RING 46		1			
015	422493-5	RUBBER RING 31		1			
016	267354-0	FLAT WASHER 31		2			
017	232496-9	COMPRESSION SPRING 37		1			
018	419986-1	LOCK SLEEVE		1			
019	233952-2	RING SPRING 41		1			
020	136312-6	TOOL HOLDER ASS'Y		1			
D10		INC. 21-31					
021	347501-0	LEAF SPRING		1			
022	256598-7	SHOULDER PIN 4		1			
023	327277-5	TOOL HOLDER		1			
024	327515-5	SLEEVE 11		1			
025	327516-3	RING 11		1			
026	140S89-1	IMPACT BOLT A COMPLETE		1			
027	213880-7	SEAL RING 12		1			
028	327268-6	RING 11		1			
029	424267-0	CUSHION RING 12		1			
030	327271-7	WASHER 11		1			
031	231987-7	RING SPRING 21		1			
032	327266-0	STRIKER		1			
033	213881-5	O RING 16		1			
034	232497-7	COMPRESSION SPRING 27		1			
035	327276-7	DRIVING SLEEVE		1			
036	232501-2	RING SPRING 24		1			
037	226868-8	SPIRAL BEVEL GEAR 31		1			
038	268122-4	PIN 7		1			
039	213881-5	O RING 16		1			
040	319807-6	PISTON		1			
041	213226-7	O RING 16		1			
042	140J36-8	CONNECTING ROD COMPLETE		1			
043	459180-3	FILTER CAP		1			
044	443153-6	FELT		1			
045	922123-3	HEX. SOCKET HEAD BOLT M4X14		4			

046	319802-6	CRANK CAP		1		
047	961140-8	RETAINING RING		1		
048	211423-9	BALL BEARING 6806DDW		1		
049	347500-2	BEARING RETAINER B		1		
050	140J31-8	COUNTER WEIGHT COMPLETE		1		
051	310927-9	WEIGHT RETAINER		1		
052	266948-8	HEX S. H. BOLT M4X20 WITH WR		3		
053	459182-9	SEAL RING B		1		
054	266021-4	TAPPING SCREW 5X20		4		
055	140J33-4	CRANK HOUSING COMPLETE		1		
056	232499-3	COMPRESSION SPRING 2		1		
057	310929-5	PUSH CORN		1		
058	455165-7	FIX GUIDE		2		
059	213262-3	O RING 18		1		
060	459175-6	LINK LEVER		1		
061	347497-5	BEARING RETAINER A		1		
062	234019-9	COMPRESSION SPRING 4		1		
063	922123-3	HEX. SOCKET HEAD BOLT M4X14		2		
064	345814-3	LINK PLATE		1		
065	347498-3	GUIDE PLATE		1		
066	922123-3	HEX. SOCKET HEAD BOLT M4X14		1		
067	140M22-7	CRANK SHAFT COMPLETE		1		
068	211323-3	BALL BEARING 6904LLU		1		
069	961060-6	RETAINING RING S-20		1		
070	232498-5	CONICAL COMP. SPRING 21-26		1		
071	327273-3	CLUTCH		1		
072	226869-6	HELICAL GEAR 31		1		
073	267353-2	FLAT WASHER 8		1		
074	961034-7	RETAINING RING		1		
075	345818-5	CUP WASHER 16		1		
076	226867-0	SPIRAL BEVEL GEAR 8		1		
077	254239-9	KEY 4		1		
078	211131-2	BALL BEARING 6001DDW		1		
079	125386-2	TORQUE LIMITER ASS'Y		1		
080	961006-2	RETAINING RING S-10		1		
081	210005-4	BALL BEARING 608DDW		1		
082	459181-1	SEAL RING A		1		
083	136330-4	GEAR HOUSING ASS'Y		1		
D10		INC. 84-86				
084	253749-3	FLAT WASHER 16		1		
085	213445-5	O-RING 26		1		
086	459183-7	SPONGE SHEET		1		
087	140J32-6	AIR DUCT COMPLETE		1		
088	331775-3	SLEEVE 10		1		
089	211097-6	BALL BEARING 6000LLB		1		
090	253828-7	FLAT WASHER 10		1		
091	519722-6	ROTOR ASS'Y		1		
D10		INC. 88-90,92				
092	210022-4	BALL BEARING 626DDW		1		
093	253555-6	WAVE WASHER 12		1		
094	266326-2	TAPPING SCREW 4X18		2		
095	413F13-2	BAFFLE PLATE		1		

096	629A96-4	STATOR		1		
097	141H81-4	MOTOR HOUSING COMPLETE		1		
C10	263027-3	RUBBER PIN 4		1		
098	266326-2	TAPPING SCREW 4X18		5		
099	183V77-3	HOUSING SET		1		
D10		INC. 111				
100	413F12-4	HANDLE BASE		1		
101	459184-5	CUSHION RING 12		2		
102	266326-2	TAPPING SCREW 4X18		4		
103	232500-4	COMPRESSION SPRING 10		1		
104	422863-8	BATTERY CUSHION		2		
105	266326-2	TAPPING SCREW 4X18		1		
106	459174-8	CHANGE LEVER		1		
107	8119V9-3	HR008G NAME PLATE		1		
108	422472-3	SPONGE SLEEVE 3		4		
109	256886-2	ROD 3		2		
110	620J19-9	ACCELEROMETER CIRCUIT		1		
111	183V77-3	HOUSING SET		1		
D10		INC. 99				
112	266326-2	TAPPING SCREW 4X18		6		
113	140G30-2	CAP COMPLETE		1		
C10	213A05-9	O-RING16		1		
114	183V96-9	HANDLE SET		1		
C10	263005-3	RUBBER PIN 6		2		
C20	8005T5-8	XGT LOGO LABEL		1		
D10		INC. 123				
115	459753-2	CAP		1		
116	453124-5	F/R CHANGE LEVER		1		
117	651439-6	SWITCH C3JR-4B-2		1		
118	620J18-1	CONTROLLER		1		
119	632P65-6	TERMINAL UNIT		1		
120	347885-6	SUPPORT PLATE		1		
121	8119W3-2	HR008G SERIAL NO. LABEL		1		
122	620G34-5	LED CIRCUIT		1		
123	183V96-9	HANDLE SET		1		
C10	263005-3	RUBBER PIN 6		2		
C20	8005T5-8	XGT LOGO LABEL		1		
D10		INC. 114				
124	126882-3	GRIP ASSEMBLY		1		
D10		INC. 125-133				
125	144959-2	LOCK BUTTON COMPLETE		1		
126	233360-7	COMPRESSION SPRING 4		1		
127	265625-9	THUMB SCREW M6X50		1		
128	458355-1	SIDE HANDLE BASE		1		
129	931302-2	HEX. NUT M6		1		
130	422258-5	SPONGE SHEET		1		
131	458357-7	GRIP 36		1		
132	422255-1	CAP		1		
133	161838-9	FIX PIN		1		
135	8052T1-3	CLEAR LABEL		1	*	
A01	331886-4	DEPTH GAUGE		1		

A02	198993-4	GREASE VESSEL SET		1		
A03	443122-7	CLOTH		1		
A04	821875-2	PLASTIC CASE		1		
C10	162271-8	LATCH		2		
A05	191L91-5	SPACER SET		1		
A06	8052Y4-2	HR008GZ01 PLASTIC CASE LABEL		2		
A08	195173-3	DUSTCUP SET		1		
B01	1910R8-2	HAMMER SERVICE KIT		1		
C10	181490-7	HAMMER GREASE 30G		2		
D10		INC. 1,2,5,7,22,26,27,29,31,				
D20		INC. 33,36,39				
F06	191F49-8	DUST CASE SET		1		
F09	191F95-1	DX10DUST COLLECTION SYSTEM SET		1		
F11	191L91-5	SPACER SET		1		
F12	191W90-3	HOOK SET		1		
F24	199557-7	FILTER SET		1		
A10	***DC40RA	DC40RA FAST CHARGER		1		
D10		COMPO-PARTS				
A11	412393-7	BATTERY COVER		1		
A12	191B26-6	BATTERY BL4040 SET		2		

Please state Parts No. when your order.

Print Date 10/27/2023