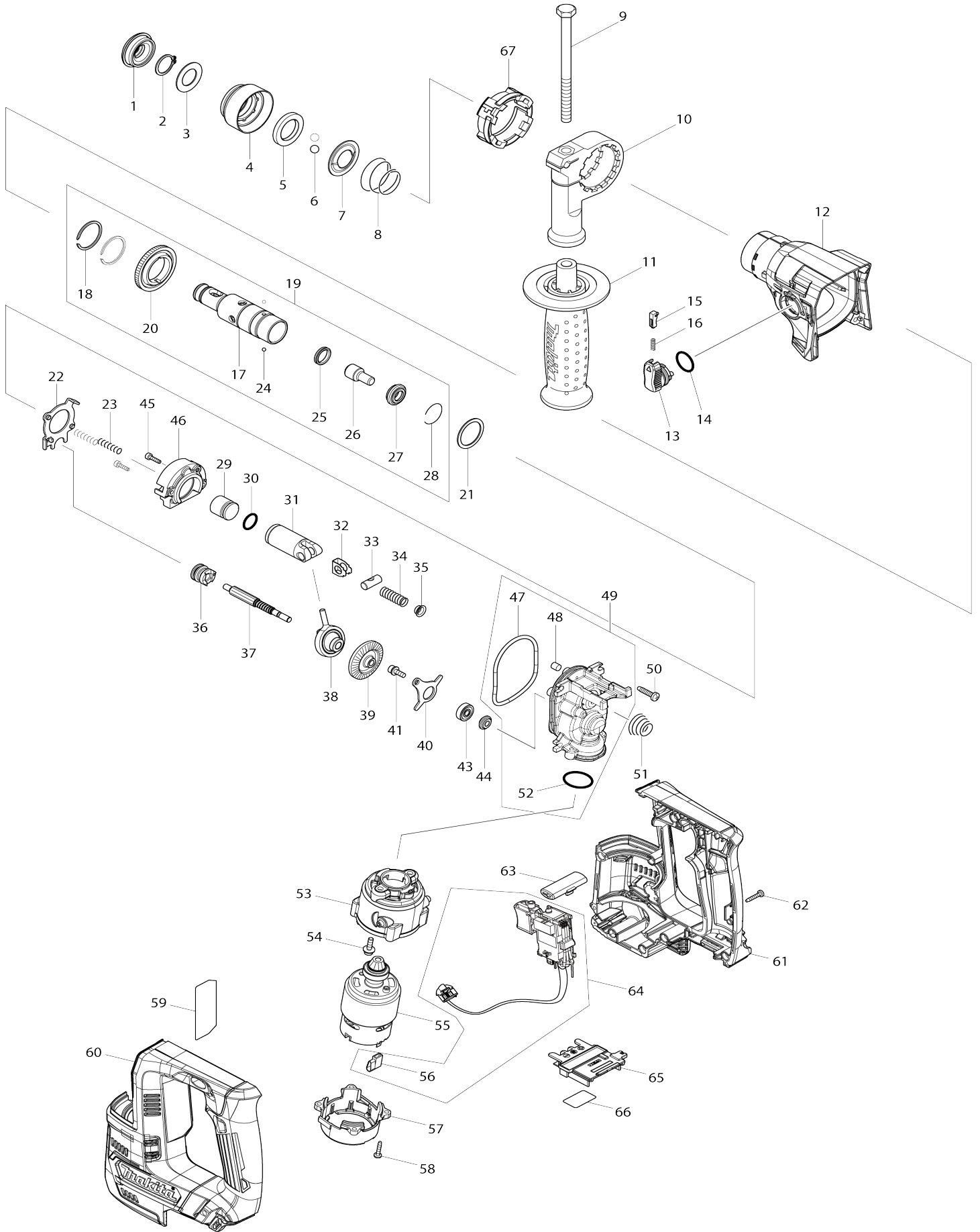


Model No.HR140D 14MM CORDLESS ROTARY HAMMER



Model No.HR140D 14MM CORDLESS ROTARY HAMMER

Item No.	Parts No.	Description	Interchangeability	Q'ty	New/Old	Note1	Note2
001	286037-3	CAP 34		1			
002	961057-5	RETAINING RING S-17		1			
003	253377-4	FLAT WASHER 17		1			
004	457214-6	CHUCK COVER		1			
005	257416-2	RING 21		1			
006	216022-2	STEEL BALL 7.0		2			
007	346177-0	GUIDE WASHER		1			
008	232347-6	CONICAL COMP. SPRING 21-29		1			
009	921923-8	HEX. BOLT M8X120		1			
010	417911-6	GRIP BASE		1			
011	158057-6	GRIP 36 COMPLETE		1			
C10	931402-8	HEX. NUT M8		1			
012	144575-0	GEAR HOUSING COMPLETE		1			
C10	211375-4	BALL BEARING 6805LLB		1			
C20	213788-5	OIL SEAL 25		1			
013	161569-0	CHANGE LEVER COMPLETE		1			
014	213278-8	O RING 17		1			
015	161568-2	LOCK BUTTON COMPLETE		1			
016	232344-2	COMPRESSION SPRING 3		1			
017	326841-9	TOOL HOLDER		1	*		
017-1	326841-9	TOOL HOLDER	O	1			
018	961135-1	RETAINING(EXT) WR-25		2			
019	135933-1	TOOL HOLDER ASS'Y		1			
D10		INC. 17,18,20,21,24-28					
D11		INC. 17,18,20,24-28					
020	221483-3	SPUR GEAR 57		1			
021	267175-0	FLAT WASHER 24		1			
022	161570-5	CHANGE PLATE COMPLETE		1			
023	233194-8	COMPRESSION SPRING 4		2			
024	216019-1	STEEL BALL 3		2			
025	213183-9	X RING 13		1			
026	326843-5	IMPACT BOLT		1			
027	326842-7	RING 10		1			
028	232343-4	RING SPRING 23		1			
029	326995-2	STRIKER		1			
030	213128-7	O RING 12		1			
031	319510-9	PISTON CYLINDER		1			
032	347101-6	GUIDE PLATE		1			
033	326846-9	PISTON JOINT		1			
034	232346-8	COMPRESSION SPRING 8		1			
035	347102-4	SPRING GUIDE		1			
036	326845-1	CLUTCH CAM		1			
037	221482-5	SPUR GEAR 8		1			
038	219026-3	SWASH BEARING 6		1	*		
038-1	219031-0	SWASH BEARING 6	O	1			
039	221553-8	SPIRAL BEVEL GEAR 37		1			
040	347100-8	BEARING RETAINER		1			

041	266273-7	HEX. SOCKET HEAD BOLT M4X12		1		
043	210065-6	BALL BEARING 625ZZ		1		
044	326847-7	RING 5		1		
045	265910-0	HEX. SOCKET HEAD BOLT M3X12		2		
046	144219-2	INNER SUPPORT COMPLETE		1		
047	213092-2	O-RING 60		1	*	
047-1	213889-9	O-RING 58	<	1		
048	443138-2	FILTER		1		
049	135926-8	INNER HOUSING ASSEMBLY		1	*	
D10		INC. 47,48,52				
049-1	136111-6	INNER HOUSING ASSY	<	1	*	
D10		INC. 47,48,52				
049-2	137061-8	INNER HOUSING ASS'Y	<	1		
D10		INC. 47,48,52				
050	265995-6	TAPPING SCREW 4X18		4		
051	232345-0	CONICAL COMP. SPRING 8-19		1		
052	213008-7	O RING 22.4		1		
053	457784-5	MOTOR CASE A		1		
054	251565-7	H. S. HEAD BOLT M4X14		2		
055	629285-5	DC MOTOR		1		
C10	213162-7	O RING 14		1		
056	686039-3	RECEPTACLE SLEEVE		1		
057	457785-3	MOTOR CASE B		1		
058	266130-9	TAPPING SCREW BIND PT 3X16		4		
059	853R39-8	HR140D NAME PLATE		1	*	
059-1	853R23-3	HR140D NAME PLATE	<	1		
060	183H16-9	HOUSING SET		1		
C10	252126-6	HEX. LOCK NUT M4-7		2		
C20	262182-8	RUBBER RING 6		2		
C30	263002-9	RUBBER PIN 4		2		
D10		INC. 61				
061	183H16-9	HOUSING SET		1		
C10	252126-6	HEX. LOCK NUT M4-7		2		
C20	262182-8	RUBBER RING 6		2		
C30	263002-9	RUBBER PIN 4		2		
D10		INC. 60				
062	266130-9	TAPPING SCREW BIND PT 3X16		9		
063	457786-1	F/R CHANGE LEVER		1		
064	539236-9	SWITCH UNIT ASS'Y		1		
C10	654086-2	RECEPTACLE		2		
C20	654199-9	RECEPTACLE		1		
D10		INC. 56				
065	644813-5	TERMINAL		1		
066	853R45-3	HR140D SERIAL NO. LABEL		1		
A01	415486-9	DEPTH GAUGE		1		
B01	198564-7	HAMMER SERVICE KIT		1		
C10	195127-0	OIL VESSEL SET		1		
D10		INC. 1,2,6,25,28,30				
E01	818S14-7	CLEAR LABEL		1	*	
F06	197444-4	BATTERY BL1020B SET(2PIECES)		1	*	
F08	197530-1	BATTERY BL1015 SET(2PIECES)		1	*	
F16	198968-3	BATTERY BL1016 SET		1	*	

F17	198969-1	BATTERY BL1016 SET (2PIECES)		1	*		
F18-1	198970-6	BATTERY BL1021B SET (2PIECES)	O	1	*		
F19-1	199002-2	BATTERY BL1041B SET (2PIECES)	O	1	*		
F21	199245-6	DUSTCUP SET		1			

Please state Parts No. when your order.

Print Date 01/29/2024