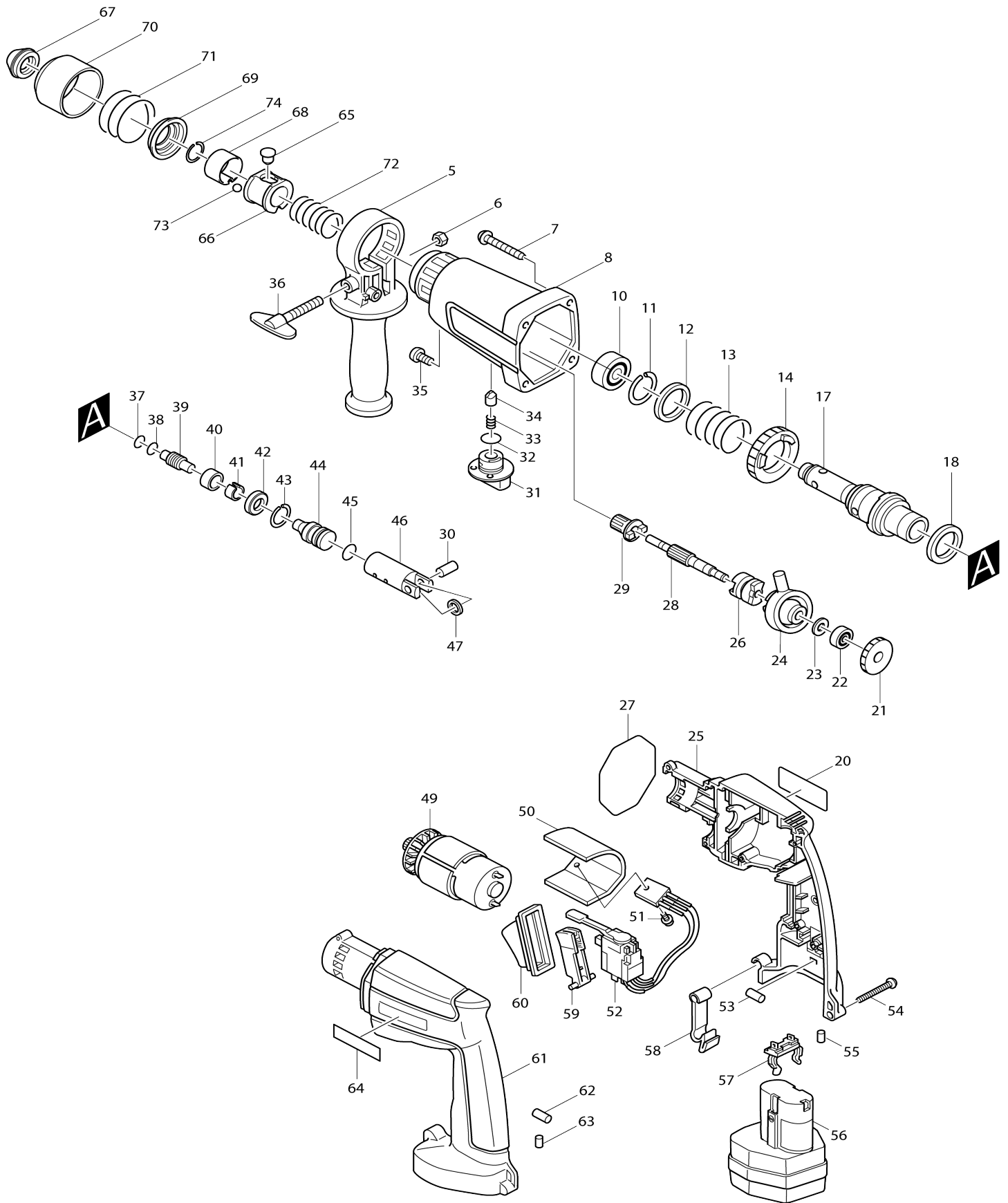


# Model No.HR160D CORDLESS ROTARY HAMMER



Model No.HR160D CORDLESS ROTARY HAMMER

Item No.	Parts No.	Description	Interc hang eabilit y	Q'ty	New/ Old	Note1	Note2
005	273634-4	GRIP 33		1			
006	931302-2	HEX. NUT M6		1			
007	266012-5	TAPPING SCREW 5X35		4			
008	159594-3	GEAR HOUSING		1	*		
C10	253133-2	FLAT WASHER 7		1	*		
C20	231234-6	COMPRESSION SPRING 3.5		1	*		
C30	216011-7	STEEL BALL 5.6		1	*		
008-1	150822-9	GEAR HOUSING COMPLETE	X	1			
C10	253133-2	FLAT WASHER 7		1			
C20	231234-6	COMPRESSION SPRING 3.5		1			
C30	216011-7	STEEL BALL 5.6		1			
010	211323-3	BALL BEARING 6904LLU		1			
011	231954-2	RING SPRING 28		1			
012	267110-8	FLAT WASHER 31		1			
013	233123-1	COMPRESSION SPRING 32		1			
014	226260-8	SPUR GEAR 46		1			
017	134714-0	TOOL HOLDER ASS'Y		1	*		
C10	322553-2	TOOL HOLDER		1	*		
D10		INC. 11-15,37-43					
017-1	134813-8	TOOL HOLDER ASS'Y	X	1			
C10	323725-2	TOOL HOLDER		1			
D10		INC. 11-14,37-43					
018	267105-1	FLAT WASHER 29		1			
019	267105-1	FLAT WASHER 29		1			
020	857521-1	NAME PLATE HR160D		1			
021	226288-6	SPUR GEAR 49		1			
022	211022-7	BALL BEARING 607ZZ		1			
023	253186-1	FLAT WASHER 7		1			
024	219007-7	SWASH BEARING 9		1			
025	182672-4	MOTOR HOUSING SET		1			
D10		INC. 61					
026	322652-0	CLUTCH		1			
027	213720-9	O RING 67		1			
028	322721-7	CAM SHAFT		1			
029	226259-3	SPUR GEAR 10		1			
030	321916-9	PISTON JOINT		1			
031	415372-4	CHANGE LEVER		1			
032	213265-7	O RING 17		1			
033	231288-3	COMPRESSION SPRING 6		1			
034	322653-8	PUSH CONE		1			
035	251392-2	+ PAN HEAD SCREW M4		1			
036	265715-8	SCREW 6X40		1			
037	213063-9	O RING 10		1			
038	213063-9	O RING 10		1			
039	322586-7	IMPACT BOLT		1	*		
039-1	323723-6	IMPUCT BOLT	X	1			
040	262038-5	RUBBER RING 17		1			

041	321915-1	IDLER		1		
042	267109-3	FLAT WASHER 13.5		1		
043	231953-4	RING SPRING 23		1		
044	322720-9	STRIKER		1		
045	213214-4	O RING 16		1		
046	316450-2	PISTON CYLINDER		1		
047	267104-3	FLAT WASHER 12		1		
048	267104-3	FLAT WASHER 12		1		
049	629685-9	DC MOTOR 12V		1		
C10	221975-2	SPUR GEAR 11		1		
C20	241871-8	FAN 44		1		
C30	253811-4	FLAT WASHER 5		1		
C40	267137-8	FLAT WASHER 15		1		
C50	267138-6	FLAT WASHER 20		1		
050	689028-7	RADIATING PLATE		1		
051	911013-5	PAN HEAD SCREW M3X10		1		
052	651911-8	SWITCH TG503BFLB-1		1		
053-1	263024-9	RUBBER PIN 4		1		
054	265995-6	TAPPING SCREW 4X18		8		
055	263014-2	RUBBER PIN 4		1		
056-1	192536-4	BATTERY 1202 SET		1		
D10		INC. A02				
057-1	643918-8	BATTERY HOLDER		1		
058	344121-1	SET PLATE		1		
059	415499-0	SWITCH LEVER		1		
060	421495-8	DUST COVER		1		
061	182672-4	MOTOR HOUSING SET		1		
D10		INC. 25				
062-1	263024-9	RUBBER PIN 4		1		
063	263014-2	RUBBER PIN 4		1		
064	819063-3	MAKITA LABEL		1		
065	322517-6	ROLLER 7		1	*	
065-1	256447-8	PIN 8	S	1		
066	154404-9	CHANGE RING COMPLETE		1	*	
C10	232122-0	LEAF SPRING		1	*	
C20	258022-6	SPRING PIN 4-6		1	*	
066-1	323724-4	CHUCK RING	S	1		
067	286234-1	CAP 37		1	*	
067-1	286248-0	CAP 31	S	1	*	
067-2	286265-0	CAP 31	X	1		
068	232177-5	LEAF SPRING 26		1	*	
068-1	232190-3	LEAF SPRING 26	X	1	*	
068-2	232192-9	LEAF SPRING 26	X	1		
069	344574-4	SPRING GUIDE		1		
070	415076-8	CHANGE RING COVER		1	*	
070-1	416410-5	CHUCK COVER	S	1		
071	213068-9	O RING 10		1	*	
071-1	233203-3	COMPRESSION SPRING 38	S	1		
072	233202-5	COMPRESSION SPRING 20		1		
073	216009-4	STEEL BALL 7.1		1	*	
073-1	216022-2	STEEL BALL 7.0	S	1		
074	257172-4	RING 20		1	*	

074-1	231979-6	RING SPRING 17	S	1			
A01	321144-6	DEPTH GAUGE		1			
A02	414938-7	BATTERY COVER		1			
A03	824435-9	PLASTIC CARRYING CASE		1	*		
C10	182935-8	SLIDE LATCH (R.L) SET		1	*		
A03-1	824550-9	PLASTIC CARRYING CASE	S	1			
C10	417059-4	LATCH		2			
A04	192536-4	BATTERY 1202 SET		1			

Please state Parts No. when your order.

Print Date 24.10.2023