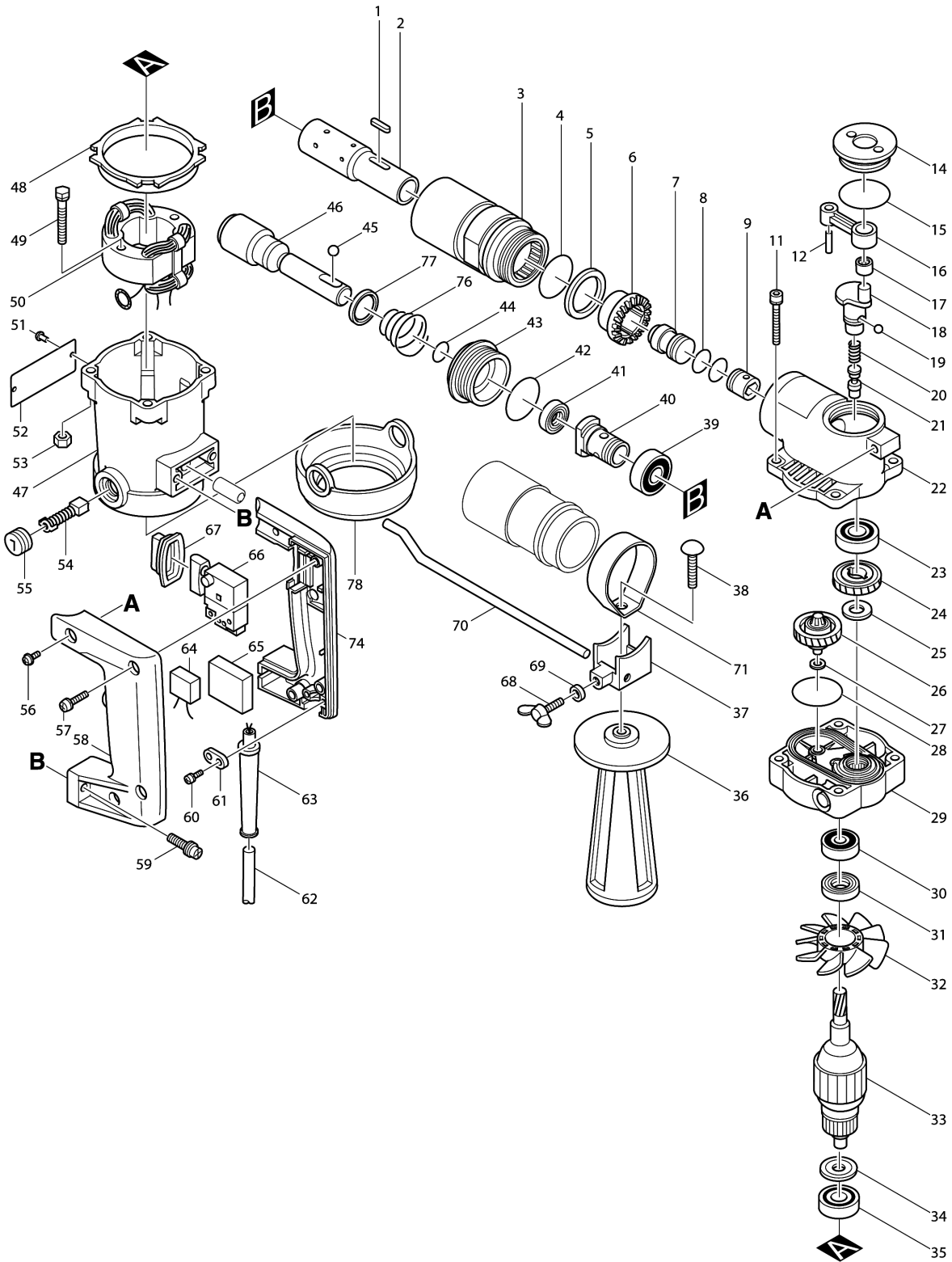


Model No.HR1800 ROTARY HAMMER 18MM



Model No.HR1800 ROTARY HAMMER 18MM

Item	Parts No.	Description	I/C	Qty	New/Old	Opt. 1	Opt. 2	Note
001-1	254231-5	KEY 4	O	1				
002	331193-5	CYLINDER LINER 20		1				
003	152185-9	BARREL COMPLETE		1				
C10	212456-7	NEEDLE BEARING 3012		1				
004	213507-9	O RING 40		1				
005	253854-6	FLAT WASHER 30		1				
006	221358-6	SPIRAL BEVEL GEAR 26		1				
007-1	322284-3	STRIKER		1				
008	213214-4	O RING 16		2				
009	321483-4	PISTON		1				
011-1	922371-4	HEX. SOCKET HEAD BOLT M6X50		4				
012	256123-4	PIN 5		1				
014	410018-7	CRANK CAP		1				
015	213460-9	O RING 35		1				
016	321489-2	ROD		1				
017	212005-0	NEEDLE BEARING 810		1				
018	321485-0	CRANK SHAFT		1				
019	216011-7	STEEL BALL 5.6		2				
020	231327-9	COMPRESSION SPRING 6		1				
021	321484-2	CHANGE PIN 8		1				
022-1	156911-8	CRANK HOUSING		1				
C10	213459-4	O RING 32		1				
023	211204-1	BALL BEARING 6002		1				
024	221705-1	HELICAL GEAR 29		1				
025	253853-8	FLAT WASHER 15		1				
026	151153-9	TORQUE LIMITER COMPLETE		1				
027	253715-0	FLAT WASHER 6		1				
028	213707-1	O RING 65		1				
029	156910-0	GEAR HOUSING		1				
C10	212011-5	NEEDLE BEARING 609		1				
C20	212219-1	NEEDLE BEARING 1510		1				
C30	213011-8	O RING 7		4				
C40	256122-6	PIN 4		1				
C50	321486-8	PUSH ROD 10		1				
C60	213406-5	O RING 30		1				
030	211069-1	BALL BEARING 6200		1				
031	213157-0	OIL SEAL 13		1				
032	241820-5	FAN 67		1				
033E2	512778-8	ARMATURE ASS'Y 220V		1				
D10		INC. 32-35						
034	681613-2	INSULATION WASHER		1				
035	211033-2	BALL BEARING 608LB		1				
036-1	273479-0	GRIP 37		1				
037	315145-4	GRIP BASE		1				

Please order the parts with part number.

Print Date 23/11/2023

Model No.HR1800 ROTARY HAMMER 18MM

Item	Parts No.	Description	I/C	Qty	New/Old	Opt. 1	Opt. 2	Note
038	923456-9	CAP SQUARE NECK BOLT M8X35		1				
039	211304-7	BALL BEARING 6004		1				
040	331192-7	HOLDER 27-37		1				
041	213163-5	OIL SEAL 14		1				
042	213507-9	O RING 40		1				
043	321482-6	SEAL HOLDER		1				
044	213164-3	O RING 14		1				
045	216011-7	STEEL BALL 5.6		3				
046C_	152397-4	CHUCK COMPLETE		1				
C10	213064-7	O RING 10		1				
C20	286220-2	CAP 34		1				
C30	414425-6	CHANGE RING		1				
C40	322255-0	ROLLER 6.5		4				
C50	231946-1	CONICAL COMPR. SPRING 21-25		1				
C60	257640-7	SLEEVE 20		1				
C70	322426-9	DRILL HOLDER		1				
C80	261088-7	NYLON WASHER		1				
C90	322490-0	IMPACT BOLT		1				
047-2	159541-4	MOTOR HOUSING		1				
C10	643603-3	BRUSH HOLDER 6-10		2				
C21	913206-0	SET SCREW M5X8		2				
C30	263014-2	RUBBER PIN 4		1				
C40	810711-7	CAUTION LABEL		1				
048	410043-8	BAFFLE PLATE		1				
049-2	265342-1	+ HEX. BOLT M5X40		2				
050E_	528290-8	FIELD ASS'Y 220V		1				
C10	654019-7	RING TERMINAL		2				
C20	654501-6	CONNECTOR P-1.25		2				
051	953106-2	RIVET 0-5		2				
052	854795-5	NAME PLATE HR1800		1				
053	931302-2	HEX. NUT M6		4				
054	181038-5	A.C. CARBON BRUSH CB-105		1				
055	643600-9	BRUSH HOLDER CAP 6-10		2				
056	911323-0	PAN HEAD SCREW M6X16		2				
057	911238-1	PAN HEAD SCREW M5X22		3				
058	181488-4	HANDLE SET		1				
D10		INC. 71						
059	911343-4	PAN HEAD SCREW M6X25		2				
060-1	911133-5	PAN HEAD SCREW M4X18		2				
061	687001-1	STRAIN RELIEF		1				
062L_	665527-3	POWER SUPPLY CORD 1.00- 2-5.0		1				
063	682505-8	CORD GUARD 10-90		1				
064B_	645173-8	NOISE SUPPRESSOR		1				
065	685700-9	SPONGE SHEET		1				

Please order the parts with part number.

Print Date 23/11/2023

Model No.HR1800 ROTARY HAMMER 18MM

Item	Parts No.	Description	I/C	Qty	New/Old	Opt. 1	Opt. 2	Note
066A_	531012-7	SWITCH ASS'Y SGE204CB		1	*			
067-1	421145-5	DUST COVER		1				
068	924216-2	WING BOLT M5X15		1				
069	261042-1	RUBBER WASHER 4.5		1				
070	321144-6	DEPTH GAUGE		1				
071	341539-7	BELT		1				
D10		INC. 58						
073A_	646325-4	LINE COIL		1				
074	181488-4	HANDLE SET		1				
076	231937-2	CONICAL COMPR. SPRING 21-29		1				
077	253982-7	CUP WASHER 20		1				
078	421456-8	PROTECTOR		1				
400	163141-4	CLAMP		1				
401-1	122246-9	DUST COLLECTOR ASS'Y		1				
402-5	182614-8	STEEL CARRYING CASE		1	*			
C10	819033-2	MAKITA LABEL		1	*			
402-6	153653-5	PLASTIC CASE COMPLETE	O	1				
C10	417059-4	LATCH		2				
C20	817812-2	CAUTION LABEL		1				
403	765009-6	BLOW-OUT BULB 64		1				
404	765010-1	COTTER		1	*			
405	783203-8	HEX. WRENCH 5		1	*			
407	421342-3	DUST CUP 5		1				

Please order the parts with part number.

Print Date 23/11/2023