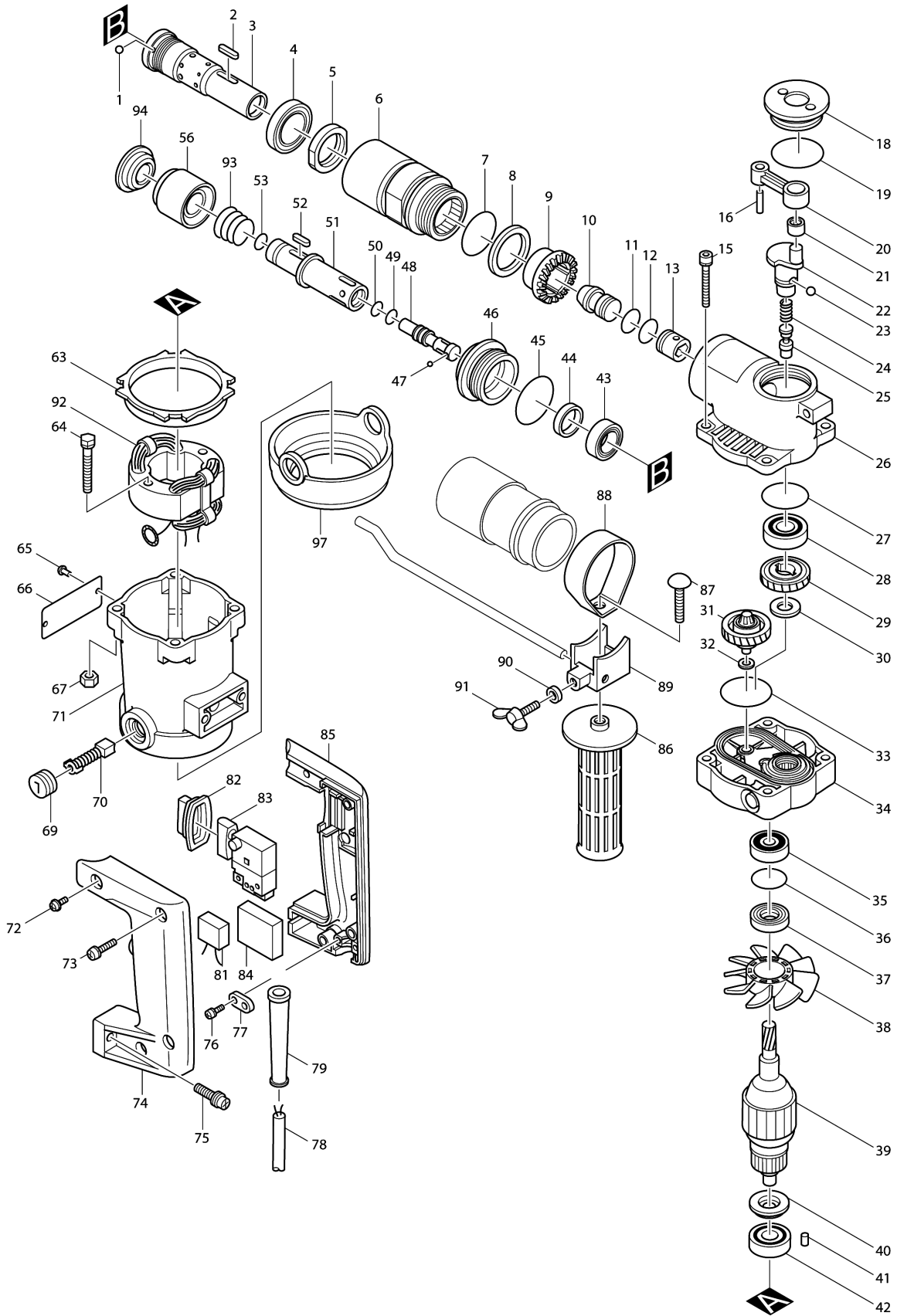


Model No.HR1820 ROTARY HAMMER 18MM



Model No.HR1820 ROTARY HAMMER 18MM

Item	Parts No.	Description	I/C	Qty	New/Old	Opt. 1	Opt. 2	Note
001	216007-8	STEEL BALL 6.4		3				
002-1	254231-5	KEY 4		1				
003	331269-8	CYLINDER LINER 20		1				
004	211443-3	BALL BEARING 3007		1				
005	252214-9	NUT M30.3-36		1				
006	153156-9	BARREL COMPLETE		1				
C10	212456-7	NEEDLE BEARING 3012		1				
007	213507-9	O RING 40		1				
008	253854-6	FLAT WASHER 30		1				
009	221358-6	SPIRAL BEVEL GEAR 26		1				
010	321814-7	STRIKER		1				
011	213214-4	O RING 16		1				
012	213214-4	O RING 16		1				
013	321483-4	PISTON		1				
015-1	922371-4	HEX. SOCKET HEAD BOLT M6X50		4				
016	256123-4	PIN 5		1				
018	410018-7	CRANK CAP		1				
019	213460-9	O RING 35		1				
020	321489-2	ROD		1				
021	212005-0	NEEDLE BEARING 810		1				
022	321485-0	CRANK SHAFT		1				
023	216011-7	STEEL BALL 5.6		2				
024	231327-9	COMPRESSION SPRING 6		1				
025	321484-2	CHANGE PIN 8		1				
026-1	156911-8	CRANK HOUSING		1				
027	213459-4	O RING 32		1				
028	211204-1	BALL BEARING 6002		1				
029	221705-1	HELICAL GEAR 29		1				
030	253853-8	FLAT WASHER 15		1				
031	151153-9	TORQUE LIMITER COMPLETE		1				
032	253715-0	FLAT WASHER 6		1				
033	213707-1	O RING 65		1				
034	156910-0	GEAR HOUSING		1				
C10	212011-5	NEEDLE BEARING 609		1				
C20	212219-1	NEEDLE BEARING 1510		1				
C30	213011-8	O RING 7		4				
C40	256122-6	PIN 4		1				
C50	321486-8	PUSH ROD 10		1				
D10		INC. 36						
035	211069-1	BALL BEARING 6200		1				
036	213406-5	O RING 30		1				
037	213157-0	OIL SEAL 13		1				
038	241820-5	FAN 67		1				
039C_	512778-8	ARMATURE ASS'Y 220V		1				
D10		INC. 38,40,42						

Please order the parts with part number.

Print Date 24/10/2023

Model No.HR1820 ROTARY HAMMER 18MM

Item	Parts No.	Description	I/C	Qty	New/Old	Opt. 1	Opt. 2	Note
040-1	681625-5	INSULATION WASHER	O	1				
041	263014-2	RUBBER PIN 4		1				
042	211033-2	BALL BEARING 608LB		1				
043	213377-6	OIL SEAL 21		1				
044	443061-1	FELT RING 20		1				
045	213507-9	O RING 40		1				
046-1	322095-6	SEAL HOLDER		1				
047	216007-8	STEEL BALL 6.4		3				
048	321616-1	IMPACT BOLT		1				
049	213058-2	O RING 10		1				
050	213058-2	O RING 10		1				
051-3	322254-2	DRILL HOLDER		1				
052-3	322255-0	ROLLER 6.5		2				
053-1	213064-7	O RING 10		1				
056-2	414425-6	CHANGE RING		1				
063	410043-8	BAFFLE PLATE		1				
064-2	265342-1	+ HEX. BOLT M5X40		2				
065	953106-2	RIVET 0-5		2				
066	855163-5	NAME PLATE HR1820		1				
067	931302-2	HEX. NUT M6		4				
069	643600-9	BRUSH HOLDER CAP 6-10		2				
070	181038-5	A.C. CARBON BRUSH CB-105		1				
071-2	159541-4	MOTOR HOUSING		1				
C10	643603-3	BRUSH HOLDER 6-10		2				
C21	913206-0	SET SCREW M5X8		2				
C30	810711-7	CAUTION LABEL		1				
D10		INC. 41						
072	911323-0	PAN HEAD SCREW M6X16		2				
073	911238-1	PAN HEAD SCREW M5X22		3				
074	181488-4	HANDLE SET		1				
D10		INC. 85						
075	911343-4	PAN HEAD SCREW M6X25		2				
076-1	911133-5	PAN HEAD SCREW M4X18		2				
077A_	687031-2	STRAIN RELIEF		1				
078K1	665883-1	POWER SUPPLY CORD 1.0-2-5.0		1				
079B_	682540-6	CORD GUARD 9.3-90		1	*			
079B1	682505-8	CORD GUARD 10-90	O	1				
080A_	646325-4	LINE COIL		1				
081C_	645173-8	NOISE SUPPRESSOR		1				
082	421145-5	DUST COVER		1				
083C_	651258-0	SWITCH SGE106CV-1A		1				
084	685700-9	SPONGE SHEET		1				
085	181488-4	HANDLE SET		1				
D10		INC. 74						
086-1	273496-0	GRIP 32		1				

Please order the parts with part number.

Print Date 24/10/2023

Model No.HR1820 ROTARY HAMMER 18MM

Item	Parts No.	Description	I/C	Qty	New/Old	Opt. 1	Opt. 2	Note
087	923456-9	CAP SQUARE NECK BOLT M8X35		1				
088	341539-7	BELT		1				
089	315145-4	GRIP BASE		1				
090	261042-1	RUBBER WASHER 4.5		1				
091	924216-2	WING BOLT M5X15		1				
092E_	528290-8	FIELD ASS'Y 220V		1				
C10	654019-7	RING TERMINAL		2				
C20	654501-6	CONNECTOR P-1.25		2				
093-1	231946-1	CONICAL COMPR. SPRING 21-25		1				
094	286220-2	CAP 34		1				
097	421456-8	PROTECTOR		1				
400-2	122375-8	DUST COLLECTER ASS'Y		1				
401	181573-3	GREASE VESSEL 93G		1	*			
401-1	181573-3	GREASE VESSEL 93G	O	1				
402	321144-6	DEPTH GAUGE		1				
405-4	182616-4	STEEL CARRYING CASE		1	*			
C10	819033-2	MAKITA LABEL		1	*			
405-5	153651-9	PLASTIC CASE COMPLETE	O	1				
C10	417059-4	LATCH		2				
C20	810622-6	CAUTION LABEL		1				
C30	817812-2	CAUTION LABEL		1				

Please order the parts with part number.

Print Date 24/10/2023