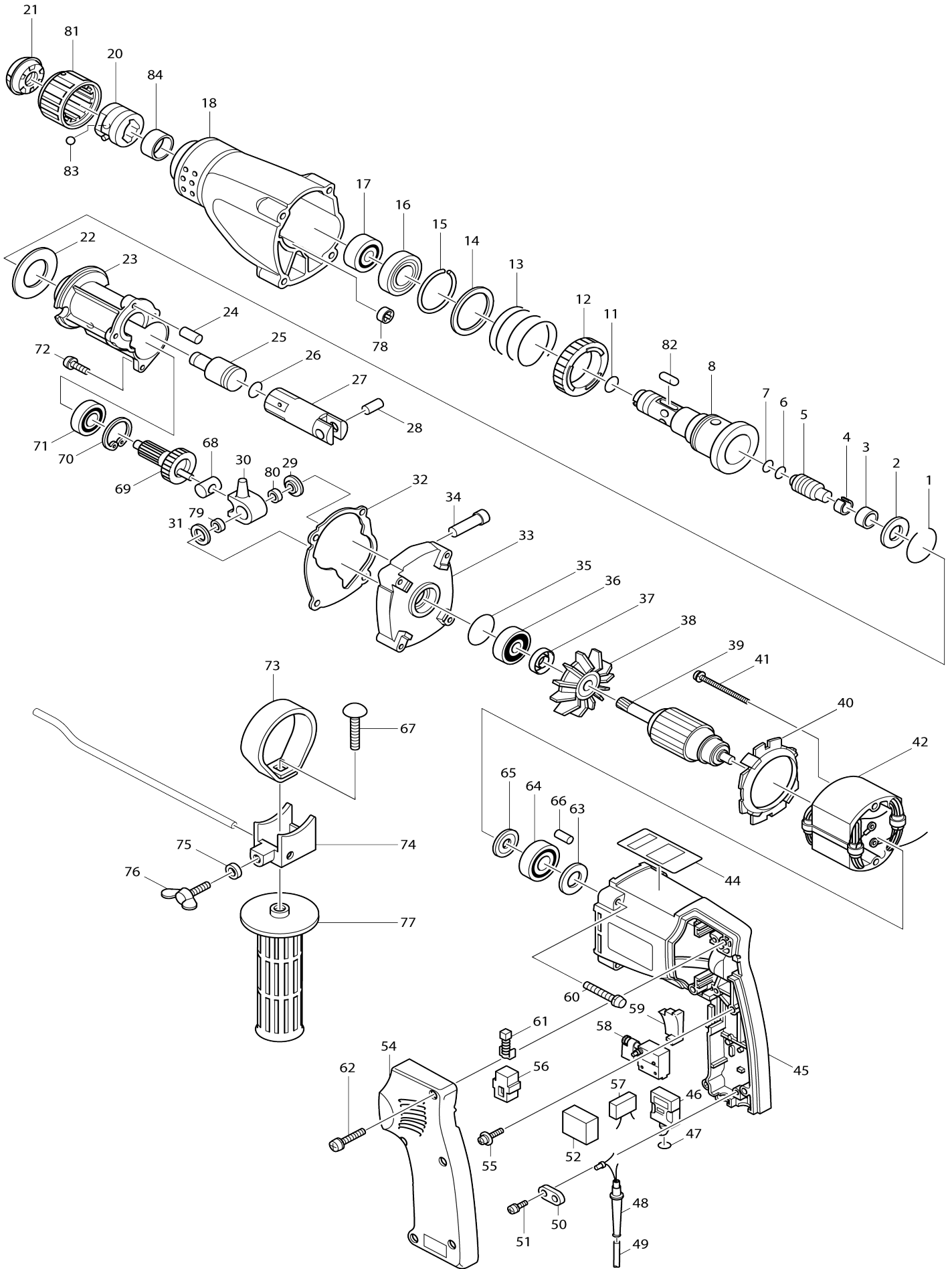


Model No.HR2000 ROTARY HAMMER 20MM



Model No.HR2000 ROTARY HAMMER 20MM

Item No.	Parts No.	Description	Interchangability	Q'ty	New/Old	Note1	Note2
001	231935-6	RING SPRING 26		1			
002	267022-5	FLAT WASHER 13.5		1			
003	262038-5	RUBBER RING 17		1			
004-1	321915-1	IDLER		1			
005	321913-5	IMPACT BOLT		1			
006	213063-9	O RING 10		1			
007	213063-9	O RING 10		1			
008-1	322516-8	TOOL HOLDER		1			
011-1	213068-9	O RING 10		1			
012	221924-9	SPUR GEAR 39		1			
013	231408-9	COMPRESSION SPRING 35		1			
014	267023-3	FLAT WASHER 34		1			
015	231936-4	RING SPRING 30.5		1			
016	213418-8	OIL SEAL 28		1			
017-1	211323-3	BALL BEARING 6904LLU		1			
018	157611-3	GEAR HOUSING COMPLETE		1			
D10		INC. 78					
020-3	154404-9	CHANGE RING COMPLETE		1			
021-1	286234-1	CAP 37		1			
022	261067-5	WASHER 28		1			
023	315883-8	CRANK HOUSING		1			
024	256162-4	PIN 7		1			
025	321911-9	STRIKER		1			
026	213214-4	O RING 16		1			
027	331282-6	PISTON CYLINDER		1			
028	321916-9	PISTON JOINT		1			
029-1	342962-9	WASHER		1			
030	321927-4	BELL CRANK		1			
031-1	342962-9	WASHER		1			
032	442087-0	GEAR HOUSING PACKING		1			
033	157612-1	GEAR HOUSING COVER COMPLETE		1			
D10		INC. 35					
034	256160-8	PIN 8		1			
035	213407-3	O RING 26		1			
036	211069-1	BALL BEARING 6200		1			
037	213112-2	OIL SEAL 12		1			
038	241832-8	FAN 62		1			
039C_	515128-6	ARMATURE ASS'Y 220V		1			
D10		INC. 38,64,65					
040	410773-1	BAFFLE PLATE		1			
041-3	911581-8	PAN HEAD SCREW M4X55		2			
042F_	528147-3	FIELD ASS'Y 220V		1			
C10	654038-3	INSULATED TERMINAL FT1.25-M4		1	*		
044	855437-4	NAME PLATE HR2000		1			
045-2	159401-0	MOTOR HOUSING COMPLETE		1			
C10	818649-0	INDICATION LABEL		1			

C21	816266-0	INDICATION LABEL		1		
046	651470-2	SWITCH STE210N-1		1		
047	213105-9	O RING 11		1		
048	682504-0	CORD GUARD 10-85		1		
049K_	665516-8	POWER SUPPLY CORD 1.00-2-2.5		1		
050	687001-1	STRAIN RELIEF		1		
051-1	911133-5	PAN HEAD SCREW M4X18		2		
052-1	685722-9	SPONGE		1		
054-1	150315-6	HANDLE COVER COMPLETE		1		
C11	816266-0	INDICATION LABEL		1		
C20	817609-9	CAUTION LABEL		1		
055	911124-6	PAN HEAD SCREW M4X14		2		
056	643605-9	BRUSH HOLDER		2		
057B_	645208-5	NOISE SUPPRESSOR		1	*	
057B1	645209-3	NOISE SUPPRESSOR	O	1		
058E_	651256-4	SWITCH SGEL106CV-1A		1		
059	411900-3	SWITCH COVER		1		
060	911278-9	PAN HEAD SCREW M5X55		4		
061A1	191904-8	A.C. CARBON BRUSH CB-113		1	*	
061A2	194978-8	CARBON BRUSH SET CB-113	O	1		
062	911143-2	PAN HEAD SCREW M4X22		5		
063	253192-6	FLAT WASHER 14		1		
064	211033-2	BALL BEARING 608LB		1		
065-1	681613-2	INSULATION WASHER		1		
066	263002-9	RUBBER PIN 4		1		
067	923456-9	CAP SQUARE NECK BOLT M8X35		1		
068	321914-3	CRANK JOINT		1		
069	153160-8	CRANK SHAFT COMPLETE		1		
070	962151-6	RETAINING RING R-32		1		
071	211204-1	BALL BEARING 6002		1		
072	911216-1	PAN HEAD SCREW M5X14		3		
073	342633-8	BELT		1		
074	315145-4	GRIP BASE		1		
075	261042-1	RUBBER WASHER 4.5		1		
076	924216-2	WING BOLT M5X15		1		
077-1	273496-0	GRIP 32		1		
078	212028-8	NEEDLE BEARING 709		1		
079	212026-2	NEEDLE CAGE 808		1		
080	212026-2	NEEDLE CAGE 808		1		
081	415076-8	CHANGE RING COVER		1		
082	322517-6	ROLLER 7		2		
083	216009-4	STEEL BALL 7.1		1	*	
083-1	216022-2	STEEL BALL 7.0	O	1		
084	257172-4	RING 20		1		
400	181573-3	GREASE VESSEL 93G		1	*	
400-1	181573-3	GREASE VESSEL 93G	O	1		
401-2	182617-2	STEEL CARRYING CASE		1	*	
C10	819033-2	MAKITA LABEL		1	*	
401-3	824608-4	PLASTIC CARRYING CASE	O	1		
C10	417496-2	LATCH		2		
C20	417497-0	HANDLE		1		
C30	819143-5	MAKITA LABEL		1		

402	321144-6	DEPTH GAUGE		1			
407	421342-3	DUST CUP 5		1			

Please state Parts No. when your order.

Print Date 24.10.2023