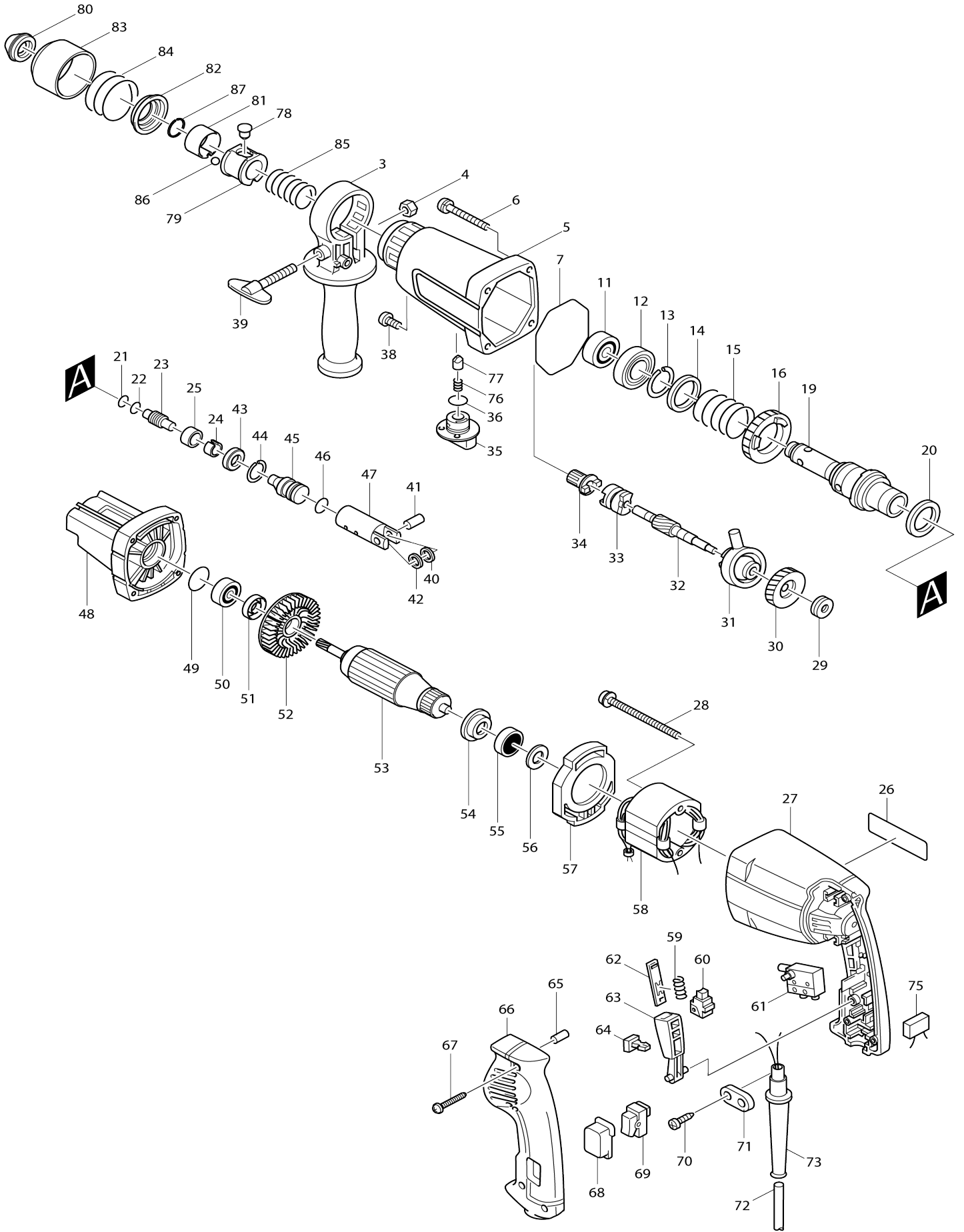


Model No.HR2400 ROTARY HAMMER 24MM



Model No.HR2400 ROTARY HAMMER 24MM

Item No.	Parts No.	Description	Interchangability	Q'ty	New/Old	Note1	Note2
003	134715-8	GRIP ASS'Y		1			
D10		INC. 4,39					
004	931302-2	HEX. NUT M6		1			
005-1	159594-3	GEAR HOUSING		1	*		
C10	253133-2	FLAT WASHER 7		1	*		
C20	231234-6	COMPRESSION SPRING 3.5		1	*		
C30	216011-7	STEEL BALL 5.6		1	*		
C40	810627-6	CAUTION LABEL		1	*		
005-2	150822-9	GEAR HOUSING COMPLETE	X	1			
C10	253133-2	FLAT WASHER 7		1			
C20	231234-6	COMPRESSION SPRING 3.5		1			
C30	216011-7	STEEL BALL 5.6		1			
006	911273-9	PAN HEAD SCREW M5X50		4			
007	213720-9	O RING 67		1			
011	211323-3	BALL BEARING 6904LLU		1			
012	213418-8	OIL SEAL 28		1			
013	231954-2	RING SPRING 28		1			
014	267110-8	FLAT WASHER 31		1			
015	233060-9	COMPRESSION SPRING 31		1			
016	226260-8	SPUR GEAR 46		1			
019	134714-0	TOOL HOLDER ASS'Y		1	*		
C10	322553-2	TOOL HOLDER		1	*		
D10		INC. 13-17,21-25,43,44					
019-1	134813-8	TOOL HOLDER ASS'Y	X	1			
C10	323725-2	TOOL HOLDER		1			
D10		INC. 13-16,21-25,43,44					
020	267105-1	FLAT WASHER 29		2			
021	213063-9	O RING 10		1			
022	213063-9	O RING 10		1			
023	322586-7	IMPACT BOLT		1	*		
023-1	323723-6	IMPACT BOLT	X	1			
024	321915-1	IDLER		1			
025	262038-5	RUBBER RING 17		1			
026	857141-1	NAME PLATE HR2400		1			
027-1	415415-2	MOTOR HOUSING		1			
028-1	911581-8	PAN HEAD SCREW M4X55		2			
029	212040-8	THRUST NEEDLE BEARING 819		1			
030	226410-5	HELICAL GEAR 31		1	*		
030-1	226421-0	HELICAL GEAR 31	S	1			
031	219004-3	SWASH BEARING 9		1	*		
031-1	219007-7	SWASH BEARING 9	S	1			
032	322588-3	CAM SHAFT		1			
033-2	322652-0	CLUTCH		1			
034	226259-3	SPUR GEAR 10		1			
035-2	415372-4	CHANGE LEVER		1			
036	213265-7	O RING 17		1			
038-1	251392-2	+ PAN HEAD SCREW M4		1			

039	265715-8	SCREW 6X40		1		
040	267104-3	FLAT WASHER 12		1		
041	321916-9	PISTON JOINT		1		
042	267104-3	FLAT WASHER 12		1		
043	267109-3	FLAT WASHER 13.5		1		
044	231953-4	RING SPRING 23		1		
045	322587-5	STRIKER		1		
046	213214-4	O RING 16		1		
047	316450-2	PISTON CYLINDER		1		
048-1	159653-3	GEAR HOUSING COVER		1		
C10	267106-9	FLAT WASHER 18		1		
D10		INC. 49				
049	213385-7	O RING 24		1		
050	211051-0	BALL BEARING 609LLB		1		
051	213112-2	OIL SEAL 12		1		
052	241850-6	FAN 60		1		
053C_	515163-4	ARMATURE ASS'Y 220V		1		
D10		INC. 52,54,55				
054	681625-5	INSULATION WASHER		1		
055	211031-6	BALL BEARING 608LLB		1		
056	253192-6	FLAT WASHER 14		1		
057	415127-7	BAFFLE PLATE		1		
058C_	625158-0	FIELD 220V		1		
059	231457-6	COMPRESSION SPRING 3		1		
060A_	191955-1	A.C. CARBON BRUSH CB-417		1		
061A_	651919-2	SWITCH SGE106CV-1P		1		
062	415117-0	LOCK PLATE		1		
063	415120-1	SWITCH LEVER		1		
064	415118-8	LOCK BUTTON		1		
065	263002-9	RUBBER PIN 4		2		
066	152416-6	HANDLE COVER		1		
D10		INC. 65				
067-1	265995-6	TAPPING SCREW 4X18		4		
068	421460-7	DUST COVER		1		
069	651556-2	SWITCH VLX11		1		
070-1	265995-6	TAPPING SCREW 4X18		2		
071A_	687063-9	CORD CLAMP		1	*	
071A1	687052-4	STRAIN RELIEF	X	1		
072F1	665865-3	POWER SUPPLY CORD 1.0-2-2.5		1		
073A_	682516-3	CORD GUARD 9.3-85		1	*	
073A1	682504-0	CORD GUARD 10-85	O	1		
075A_	645200-1	NOISE SUPPRESSOR		1		
076	231288-3	COMPRESSION SPRING 6		1		
077	322653-8	PUSH CONE		1		
078	322517-6	ROLLER 7		2	*	
078-1	256447-8	PIN 8	S	1		
079	154404-9	CHANGE RING COMPLETE		1	*	
079-1	323724-4	CHUCK RING	S	1		
080	286234-1	CAP 37		1	*	
080-1	286248-0	CAP 31	S	1	*	
080-2	286265-0	CAP 31	X	1		
081	232177-5	LEAF SPRING 26		1	*	

081-1	232190-3	LEAF SPRING 26	X	1	*		
081-2	232192-9	LEAF SPRING 26	X	1			
082	344574-4	SPRING GUIDE		1			
083	415076-8	CHANGE RING COVER		1	*		
083-1	416410-5	CHUCK COVER	S	1			
084	213068-9	O RING 10		1	*		
084-1	233203-3	COMPRESSION SPRING 38	S	1			
085	233202-5	COMPRESSION SPRING 20		1			
086	216009-4	STEEL BALL 7.1		1	*		
086-1	216022-2	STEEL BALL 7.0	S	1			
087	257172-4	RING 20		1	*		
087-1	231979-6	RING SPRING 17	S	1			
A01	321144-6	DEPTH GAUGE		1			
A02-1	182617-2	STEEL CARRYING CASE		1	*		
C10	819033-2	MAKITA LABEL		1	*		
A02-2	824445-6	PLASTIC CARRYING CASE	O	1	*		
C10	182935-8	SLIDE LATCH (R.L) SET		1	*		
A02-3	824445-6	PLASTIC CARRYING CASE	X	1			
C10	182935-8	SLIDE LATCH (R.L) SET		1			
E07	122460-7	CHISEL ADAPTER		1	*		
E07-1	122547-5	CHISEL ADAPTER	X	1			

Please state Parts No. when your order.

Print Date 24.10.2023