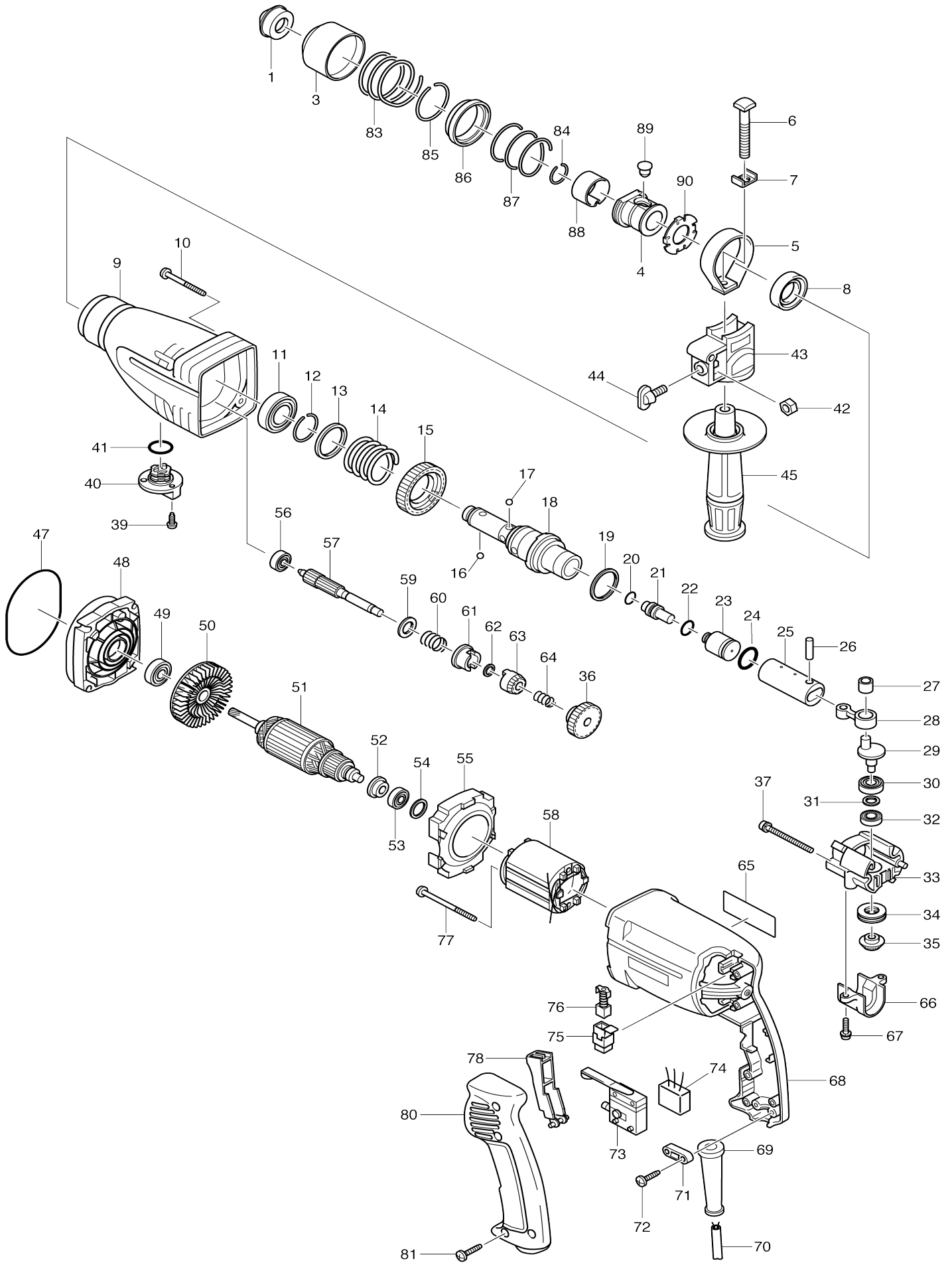


Model No.HR2410 ROTARY HAMMER 24MM



Model No.HR2410 ROTARY HAMMER 24MM

| Item No. | Parts No. | Description | Interchangability | Q'ty | New/Old | Note1 | Note2 |
|----------|-----------|----------------------------|-------------------|------|---------|-------|-------|
| 001 | 286240-6 | CAP 37 | | 1 | * | | |
| 001-1 | 286251-1 | CAP 37 | X | 1 | * | | |
| 001-2 | 286248-0 | CAP 31 | X | 1 | * | | |
| 001-3 | 286265-0 | CAP 31 | X | 1 | | | |
| 003 | 415076-8 | CHANGE RING COVER | | 1 | * | | |
| 003-1 | 416410-5 | CHUCK COVER | X | 1 | | | |
| 004 | 152470-0 | CHANGE RING COMPLETE | | 1 | * | | |
| 004-1 | 323820-8 | CHUCK RING | X | 1 | | | |
| 005 | 344205-5 | BELT | | 1 | | | |
| 006-2 | 266092-1 | SQUARE BOLT M8X60 | | 1 | | | |
| 007-1 | 267719-6 | SQUARE WASHER 9 | | 1 | | | |
| 008 | 213313-2 | OIL SEAL 20 | | 1 | | | |
| 009 | 159759-7 | GEAR HOUSING COMPLETE | | 1 | * | | |
| C10 | 216011-7 | STEEL BALL 5.6 | | 1 | * | | |
| C20 | 231234-6 | COMPRESSION SPRING 3.5 | | 1 | * | | |
| 009-1 | 150965-7 | GEAR HOUSING COMPLETE | X | 1 | | | |
| C10 | 216011-7 | STEEL BALL 5.6 | | 1 | | | |
| C20 | 231234-6 | COMPRESSION SPRING 3.5 | | 1 | | | |
| 010 | 266069-6 | TAPPING SCREW 4X45 | | 4 | | | |
| 011 | 211323-3 | BALL BEARING 6904LLU | | 1 | | | |
| 012 | 231962-3 | RING SPRING 26 | | 1 | | | |
| 013 | 267132-8 | FLAT WASHER 29 | | 1 | | | |
| 014 | 233109-5 | COMPRESSION SPRING 29 | | 1 | | | |
| 015 | 226290-9 | SPUR GEAR 48 | | 1 | | | |
| 016 | 216009-4 | STEEL BALL 7.1 | | 1 | * | | |
| 016-1 | 216022-2 | STEEL BALL 7.0 | O | 1 | | | |
| 017 | 216011-7 | STEEL BALL 5.6 | | 4 | | | |
| 018 | 322744-5 | TOOL HOLDER | | 1 | * | | |
| 018-1 | 323822-4 | TOOL HOLDER | X | 1 | | | |
| 019 | 267129-7 | FLAT WASHER 27 | | 1 | | | |
| 020 | 213063-9 | O RING 10 | | 1 | | | |
| 021 | 322739-8 | IMPACT BOLT | | 1 | * | | |
| 021-1 | 323818-5 | IMPACT BOLT | X | 1 | | | |
| 022 | 213117-2 | O RING 11 | | 1 | | | |
| 023 | 322740-3 | STRIKER | | 1 | | | |
| 024 | 213214-4 | O RING 16 | | 1 | | | |
| 025 | 331446-2 | PISTON CYLINDER | | 1 | | | |
| 026 | 256099-5 | PIN 6 | | 1 | | | |
| 027 | 212005-0 | NEEDLE BEARING 810 | | 1 | | | |
| 028 | 331447-0 | CONNECTING ROD | | 1 | | | |
| 029 | 322741-1 | CRANK SHAFT | | 1 | | | |
| 030 | 211098-4 | BALL BEARING 699ZZ | | 1 | | | |
| 031 | 267130-2 | FLAT WASHER 9 | | 1 | | | |
| 032 | 211099-2 | BALL BEARING 689ZZ | | 1 | | | |
| 033 | 159761-0 | CRANK HOUSING COMPLETE | | 1 | | | |
| 034 | 212110-3 | THRUST NEEDLE BEARING 1224 | | 1 | | | |
| 035 | 226726-8 | STRAIGHT BEVEL GEAR 12 | | 1 | | | |
| | | | | | | | |

| | | | | | | |
|-------|----------|-----------------------------|---|---|---|--|
| 036 | 226434-1 | HELICAL GEAR 31 | | 1 | | |
| 037 | 911576-1 | PAN HEAD SCREW M4X50 | | 3 | | |
| 039 | 251392-2 | + PAN HEAD SCREW M4 | | 1 | | |
| 040 | 152471-8 | CHANGE LEVER COMPLETE | | 1 | | |
| 041 | 213261-5 | O RING 17 | | 1 | | |
| 042 | 931202-6 | HEX. NUT M5 | | 1 | | |
| 043 | 415658-6 | GRIP BASE | | 1 | | |
| 044 | 265720-5 | THUMB SCREW M5X14 | | 1 | | |
| 045-1 | 134777-6 | GRIP 36 ASS'Y | | 1 | * | |
| C11 | 152521-9 | GRIP 36 COMPLETE | | 1 | * | |
| D10 | | INC. 5,6,7,42-44 | | | | |
| 045-2 | 135344-0 | GRIP 36 ASS'Y | O | 1 | | |
| C10 | 153503-4 | GRIP 36 COMPLETE | | 1 | | |
| D10 | | INC. 5-7,42-44 | | | | |
| 047 | 213720-9 | O RING 67 | | 1 | | |
| 048 | 159760-2 | INNER HOUSING COMPLETE | | 1 | | |
| 049 | 211051-0 | BALL BEARING 609LLB | | 1 | | |
| 050 | 241883-1 | FAN 60 | | 1 | | |
| 051C_ | 517143-6 | ARMATURE ASS'Y 220V | | 1 | * | |
| D10 | | INC. 50,52,53 | | | | |
| 051C1 | 517403-6 | ARMATURE ASS'Y 220V | < | 1 | | |
| D10 | | INC. 50,52,53 | | | | |
| 052 | 681600-1 | INSULATION WASHER | | 1 | * | |
| 052-1 | 681661-1 | INSULATION WASHER | O | 1 | | |
| 053 | 211021-9 | BALL BEARING 607LLB | | 1 | | |
| 054 | 253842-3 | FLAT WASHER 14 | | 1 | | |
| 055 | 415628-5 | BAFFLE PLATE | | 1 | | |
| 056 | 211012-0 | BALL BEARING 606ZZ | | 1 | | |
| 057 | 226293-3 | SPUR GEAR 10 | | 1 | | |
| 058C_ | 633313-0 | FIELD 220V | | 1 | | |
| 059 | 253744-3 | FLAT WASHER 12 | | 1 | | |
| 060 | 233089-5 | COMPRESSION SPRING 12 | | 1 | | |
| 061 | 322743-7 | CLUTCH CAM | | 1 | * | |
| 061-1 | 322939-0 | CLUTCH CAM | O | 1 | * | |
| 061-2 | 322743-7 | CLUTCH CAM | X | 1 | | |
| 062 | 267131-0 | FLAT WASHER 8 | | 1 | | |
| 063 | 226725-0 | STRAIGHT BEVEL GEAR 14 | | 1 | | |
| 064 | 233110-0 | COMPRESSION SPRING 8 | | 1 | | |
| 065 | 857630-6 | NAME PLATE HR2410 | | 1 | | |
| 066 | 415630-8 | GEAR COVER | | 1 | | |
| 067 | 911526-6 | P.H.SCREW M4X16 WITH WRM | | 2 | | |
| 068 | 415626-9 | MOTOR HOUSING | | 1 | * | |
| 068-1 | 416970-7 | MOTOR HOUSING | X | 1 | | |
| 069B_ | 682516-3 | CORD GUARD 9.3-85 | | 1 | * | |
| 069B1 | 682504-0 | CORD GUARD 10-85 | O | 1 | | |
| 070E_ | 665865-3 | POWER SUPPLY CORD 1.0-2-2.5 | | 1 | | |
| 071C_ | 687063-9 | CORD CLAMP | | 1 | * | |
| 071C1 | 687052-4 | STRAIN RELIEF | X | 1 | | |
| 072 | 265995-6 | TAPPING SCREW 4X18 | | 2 | | |
| 073A_ | 651933-8 | SWITCH 8653C711X | | 1 | * | |
| 073A1 | 651973-6 | SWITCH J2MK711X | X | 1 | * | |
| 073A2 | 651973-6 | SWITCH J2MK711X | X | 1 | * | |

| | | | | | | | |
|-------|----------|------------------------------|---|---|---|--|--|
| 073A3 | 651973-6 | SWITCH J2MK711X | O | 1 | * | | |
| 073A4 | 650514-5 | SWITCH TG803BLA-1 | O | 1 | | | |
| 074C1 | 645253-0 | NOISE SUPPRESSOR | | 1 | | | |
| 075 | 643923-5 | BRUSH HOLDER | | 2 | | | |
| 076A_ | 191962-4 | CARBON BRUSH CB-419 | | 1 | * | | |
| 076A1 | 195015-1 | CARBON BRUSH SET CB-419 | O | 1 | | | |
| 077 | 266052-3 | TAPPING SCREW 4X60 | | 2 | | | |
| 078 | 415629-3 | SWITCH LEVER | | 1 | | | |
| 079 | 819063-3 | MAKITA LABEL | | 1 | * | | |
| 080 | 415627-7 | HANDLE COVER | | 1 | | | |
| 081 | 266045-0 | TAPPING SCREW 4X20 | | 4 | | | |
| 083 | 233203-3 | COMPRESSION SPRING 38 | | 1 | | | |
| 084 | 231979-6 | RING SPRING 17 | | 1 | | | |
| 085 | 231936-4 | RING SPRING 30.5 | | 1 | | | |
| 086 | 323819-3 | SPRING GUIDE | | 1 | | | |
| 087 | 233234-2 | COMPRESSION SPRING 35 | | 1 | | | |
| 088 | 232190-3 | LEAF SPRING 26 | | 1 | * | | |
| 088-1 | 232190-3 | LEAF SPRING 26 | O | 1 | | | |
| 089 | 256447-8 | PIN 8 | | 1 | | | |
| 090 | 344690-2 | GUIDE WASHER | | 1 | | | |
| A01 | 321144-6 | DEPTH GAUGE | | 1 | | | |
| A02 | 824445-6 | PLASTIC CARRYING CASE | | 1 | * | | |
| C10 | 182935-8 | SLIDE LATCH (R.L) SET | | 1 | * | | |
| A02-1 | 824445-6 | PLASTIC CARRYING CASE | X | 1 | | | |
| C10 | 182935-8 | SLIDE LATCH (R.L) SET | | 1 | | | |
| B01 | 134925-7 | CHOKE COIL ASS'Y | | 1 | | | |
| D10 | | INC. E07 | | | | | |
| B02 | 134926-5 | CHOKE COIL ASS'Y | | 1 | | | |
| D10 | | INC. E06 | | | | | |
| E06 | 646089-0 | CHOKE COIL | | 1 | * | | |
| E06-1 | 646161-8 | CHOKE COIL | O | 1 | * | | |
| E06-2 | 646089-0 | CHOKE COIL | O | 1 | | | |
| E07 | 646088-2 | CHOKE COIL | | 1 | * | | |
| E07-1 | 646160-0 | CHOKE COIL | O | 1 | * | | |
| E07-2 | 646088-2 | CHOKE COIL | O | 1 | | | |
| 071C2 | 687124-5 | STRAIN RELIEF | O | 1 | | | |
| A02B_ | 824611-5 | PLASTIC CARRYING CASE | | 1 | | | |
| C10 | 186347-7 | SLIDE LATCH SET | | 1 | | | |
| C20 | 819143-5 | MAKITA LABEL | | 1 | | | |
| E09 | 122573-4 | CHUCK ADAPTER ASS'Y | | 1 | * | | |
| E10 | 192892-2 | KEYLESS DRILL CHUCK | | 1 | * | | |
| E11 | 122823-7 | KEYLESS DRILL CHUCK ASSEMBLY | | 1 | | | |
| C10 | 192892-2 | KEYLESS DRILL CHUCK | | 1 | | | |
| C20 | 122573-4 | CHUCK ADAPTER ASS'Y | | 1 | * | | |
| C21 | D-14093 | CHUCK ADAPTER (SDS-PLUS) | O | 1 | * | | |

Please state Parts No. when your order.

Print Date 01/29/2024