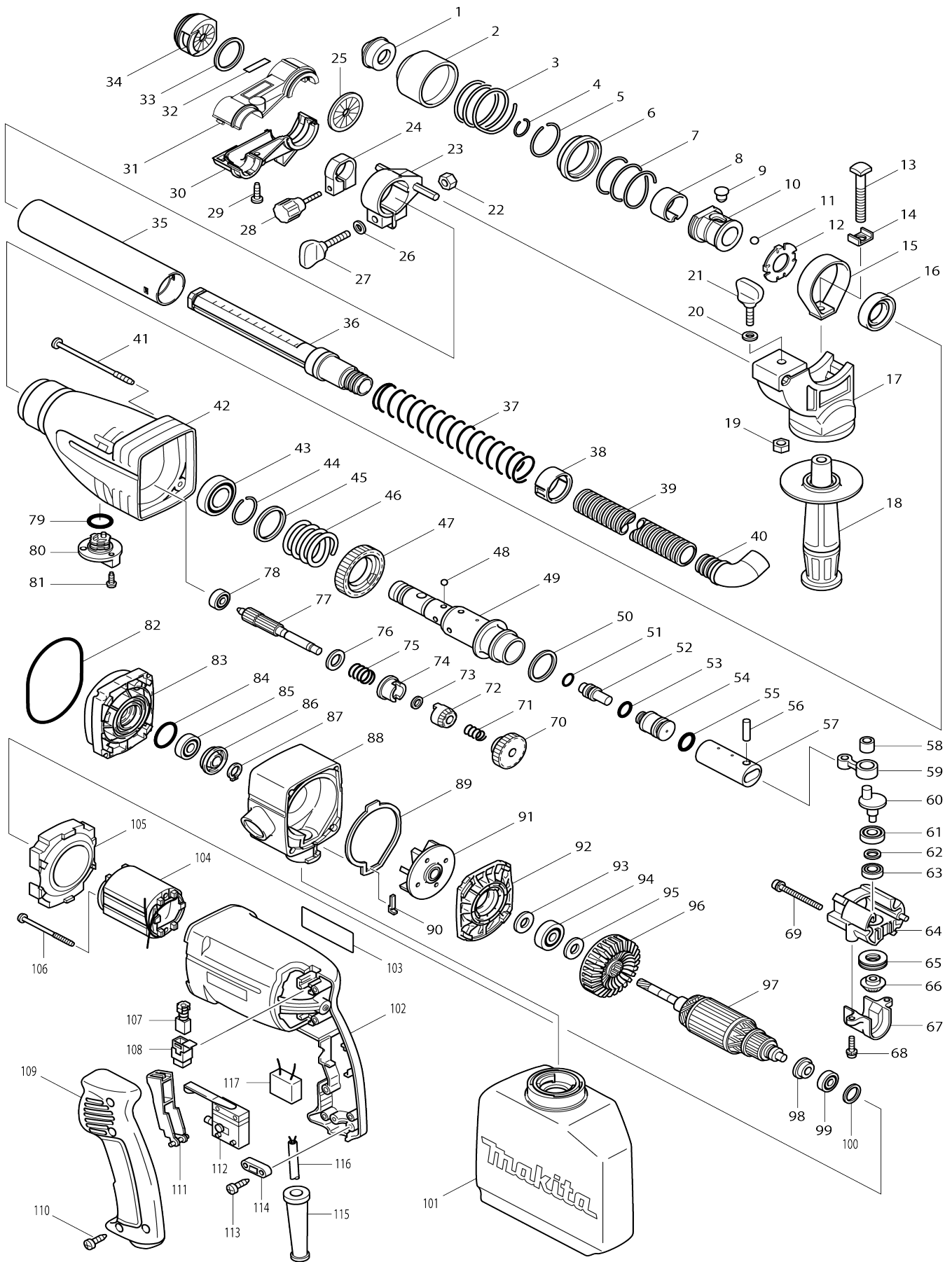


# Model No.HR2430 ROTARY HAMMER 24MM



Model No.HR2430 ROTARY HAMMER 24MM

Item No.	Parts No.	Description	Interchangability	Q'ty	New/Old	Note1	Note2
001	286248-0	CAP 31		1	*		
001-1	286265-0	CAP 31	X	1			
002	416410-5	CHUCK COVER		1			
003	233203-3	COMPRESSION SPRING 38		1			
004	231979-6	RING SPRING 17		1			
005	231936-4	RING SPRING 30.5		1			
006	323819-3	SPRING GUIDE		1			
007	233234-2	COMPRESSION SPRING 35		1			
008	232190-3	LEAF SPRING 26		1			
009	256447-8	PIN 8		1			
010	323820-8	CHUCK RING		1			
011	216022-2	STEEL BALL 7.0		1			
012	344690-2	GUIDE WASHER		1			
013	266092-1	SQUARE BOLT M8X60		1			
014	267719-6	SQUARE WASHER 9		1			
015	344205-5	BELT		1			
016	213313-2	OIL SEAL 20		1			
017	417157-4	GRIP BASE		1			
018	152521-9	GRIP 36 COMPLETE		1			
019	931202-6	HEX. NUT M5		1			
020	941101-4	FLAT WASHER 5		1			
021	251878-6	SCREW M5X20		1			
022	931302-2	HEX. NUT M6		1			
023	417156-6	PIPE HOLDER		1			
024	414795-3	STOPPER RING		1			
025	421384-7	SEALING CAP 40		1			
026	941151-9	FLAT WASHER 6		1			
027	265705-1	THUMB SCREW M6X30		1			
028	265706-9	THUMB SCREW M4X24		1			
029	265926-5	TAPPING SCREW 4X16		1			
030	414800-6	COLLECTOR 25L		1			
031	414799-5	COLLECTOR 25R		1			
032	819071-4	MAKITA LABEL		1			
033	267091-6	FLAT WASHER 28		1			
034	421726-5	FITTING RUBBER		1			
035	414797-9	SUPPORT PIPE		1			
036	414796-1	SLIDE PIPE		1			
037	233015-4	COMPRESSION SPRING 25		1			
038	414794-5	SPRING STOPPER		1			
039	414898-3	HOSE 19		1			
040	417153-2	CUFFS 19-22		1			
041	266243-6	TAPPING SCREW 4X90		4			
042	150965-7	GEAR HOUSING COMPLETE		1			
C10	216011-7	STEEL BALL 5.6		1			
C20	231234-6	COMPRESSION SPRING 3.5		1			
C30	812393-1	INDICATION LABEL		1			
043	211323-3	BALL BEARING 6904LLU		1			

044	231962-3	RING SPRING 26		1		
045	267132-8	FLAT WASHER 29		1		
046	233109-5	COMPRESSION SPRING 29		1		
047	226290-9	SPUR GEAR 48		1		
048	216011-7	STEEL BALL 5.6		4		
049	323822-4	TOOL HOLDER		1		
050	267129-7	FLAT WASHER 27		1		
051	213063-9	O RING 10		1		
052	323818-5	IMPACT BOLT		1		
053	213117-2	O RING 11		1		
054	322740-3	STRIKER		1		
055	213214-4	O RING 16		1		
056	256099-5	PIN 6		1		
057	331446-2	PISTON CYLINDER		1		
058	212005-0	NEEDLE BEARING 810		1		
059	331447-0	CONNECTING ROD		1		
060	322741-1	CRANK SHAFT		1		
061	211098-4	BALL BEARING 699ZZ		1		
062	267130-2	FLAT WASHER 9		1		
063	211099-2	BALL BEARING 689ZZ		1		
064	159761-0	CRANK HOUSING COMPLETE		1		
065	212110-3	THRUST NEEDLE BEARING 1224		1		
066	226726-8	STRAIGHT BEVEL GEAR 12		1		
067	415630-8	GEAR COVER		1		
068	911526-6	P.H.SCREW M4X16 WITH WRM		2		
069	911576-1	PAN HEAD SCREW M4X50		3		
070	226434-1	HELICAL GEAR 31		1		
071	233110-0	COMPRESSION SPRING 8		1		
072	226725-0	STRAIGHT BEVEL GEAR 14		1		
073	267131-0	FLAT WASHER 8		1		
074	322743-7	CLUTCH CAM		1		
075	233089-5	COMPRESSION SPRING 12		1		
076	253744-3	FLAT WASHER 12		1		
077	226293-3	SPUR GEAR 10		1		
078	211012-0	BALL BEARING 606ZZ		1		
079	213261-5	O RING 17		1		
080	152471-8	CHANGE LEVER COMPLETE		1		
081	251392-2	+ PAN HEAD SCREW M4		1		
082	213720-9	O RING 67		1		
083	152616-8	INNER HOUSING COMPLETE		1		
084	213953-6	O RING 24		1		
085	210060-6	BALL BEARING 609LLU		1		
086	317332-1	DUST GUARD		1		
087	961006-2	RETAINING RING S-10		1		
088	417158-2	FAN HOUSING		1		
089	421725-7	DUSTPROOF SHEET		1		
090	344853-0	PLATE		1		
091	241664-3	FAN 56		1		
092	317334-7	DUST COVER		1		
093	267213-8	FLAT WASHER 10		1		
094	210054-1	BALL BEARING 6000LLU		1		
095	267213-8	FLAT WASHER 10		1		

096	240032-7	FAN 60		1		
097	517353-5	ARMATURE ASS'Y 220V		1		
D10		INC. 94-96,98,99				
098	681600-1	INSULATION WASHER		1		
099	211021-9	BALL BEARING 607LLB		1		
100	253842-3	FLAT WASHER 14		1		
101	122614-6	DUST BAG ASS'Y		1		
C10	410602-8	FASTENER		1		
C20	417154-0	FRAME CAP		1		
102	416970-7	MOTOR HOUSING		1		
103	852335-3	NAME PLATE HR2430		1		
104	633313-0	FIELD 220V		1		
105	415628-5	BAFFLE PLATE		1		
106	266052-3	TAPPING SCREW 4X60		2		
107	191962-4	CARBON BRUSH CB-419		1	*	
107-1	195015-1	CARBON BRUSH SET CB-419	O	1		
108	643923-5	BRUSH HOLDER		2		
109	415627-7	HANDLE COVER		1		
110	266045-0	TAPPING SCREW 4X20		4		
111	415629-3	SWITCH LEVER		1		
112	651973-6	SWITCH J2MK711X		1	*	
112-1	651973-6	SWITCH J2MK711X	X	1	*	
112-2	651973-6	SWITCH J2MK711X	O	1	*	
112-3	650514-5	SWITCH TG803BLA-1	O	1		
113	265995-6	TAPPING SCREW 4X18		2		
114B_	687052-4	STRAIN RELIEF		1		
115	682516-3	CORD GUARD 9.3-85		1	*	
115-1	682504-0	CORD GUARD 10-85	O	1		
116	665865-3	POWER SUPPLY CORD 1.0-2-2.5		1		
117	645200-1	NOISE SUPPRESSOR		1		
A01	181573-3	GREASE VESSEL 93G		1	*	
A01-1	181573-3	GREASE VESSEL 93G	O	1		
A02	421727-3	CAP		1		
A03	824575-3	PLASTIC CARRYING CASE		1		
C10	417059-4	LATCH		2		
B01	122610-4	DUST COLLECTOR ASS'Y		1		
D10		INC. 22-40				
B02	134902-9	GRIP 36 ASS'Y		1		
D10		INC. 13-15,17-21				
E05	646088-2	CHOKE COIL		1	*	
E05-1	646160-0	CHOKE COIL	O	1	*	
E05-2	646088-2	CHOKE COIL	O	1		
E06	646089-0	CHOKE COIL		1	*	
E06-1	646161-8	CHOKE COIL	O	1	*	
E06-2	646089-0	CHOKE COIL	O	1		

Please state Parts No. when your order.

Print Date 01/29/2024